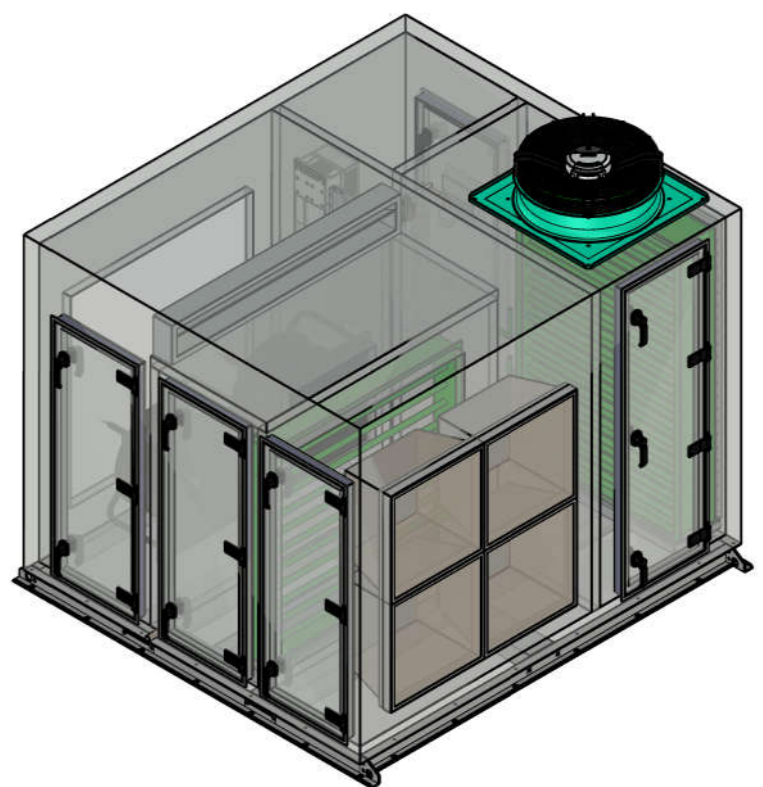
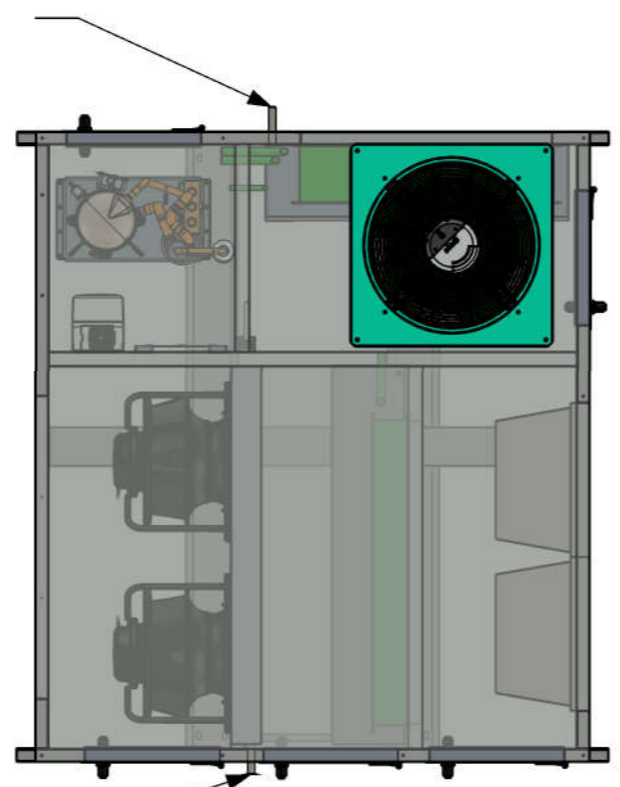
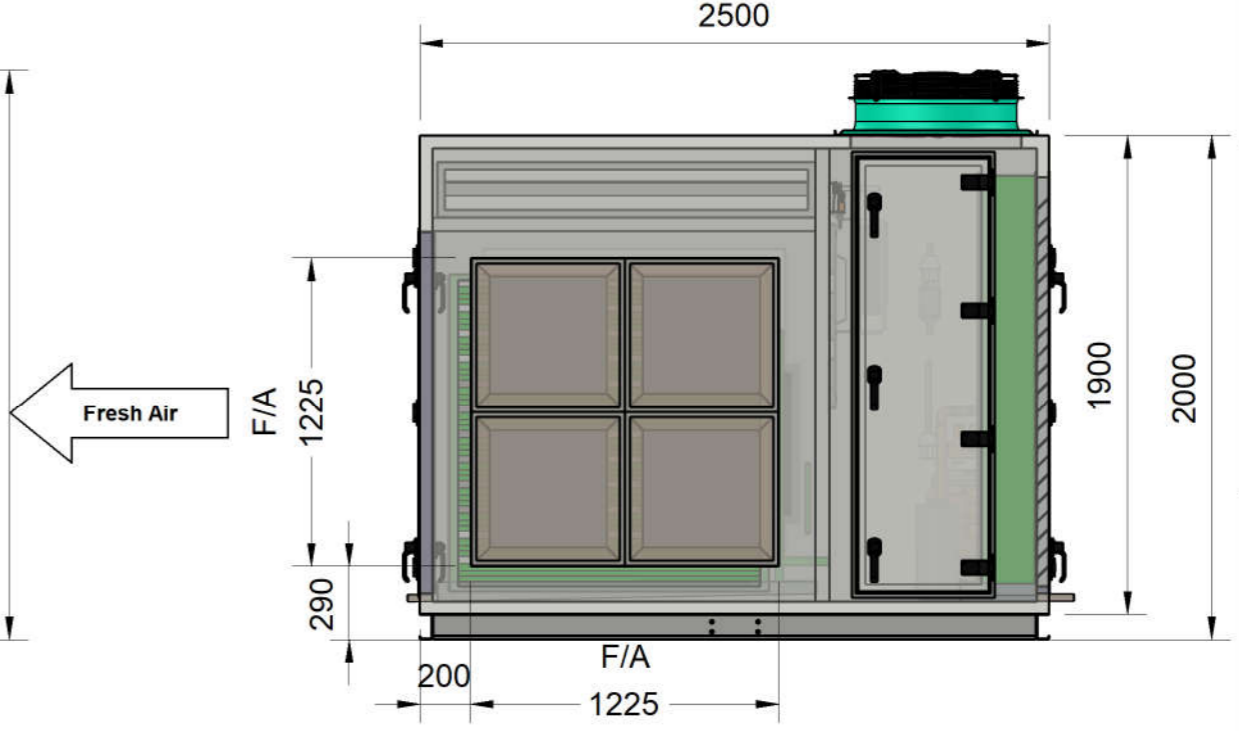
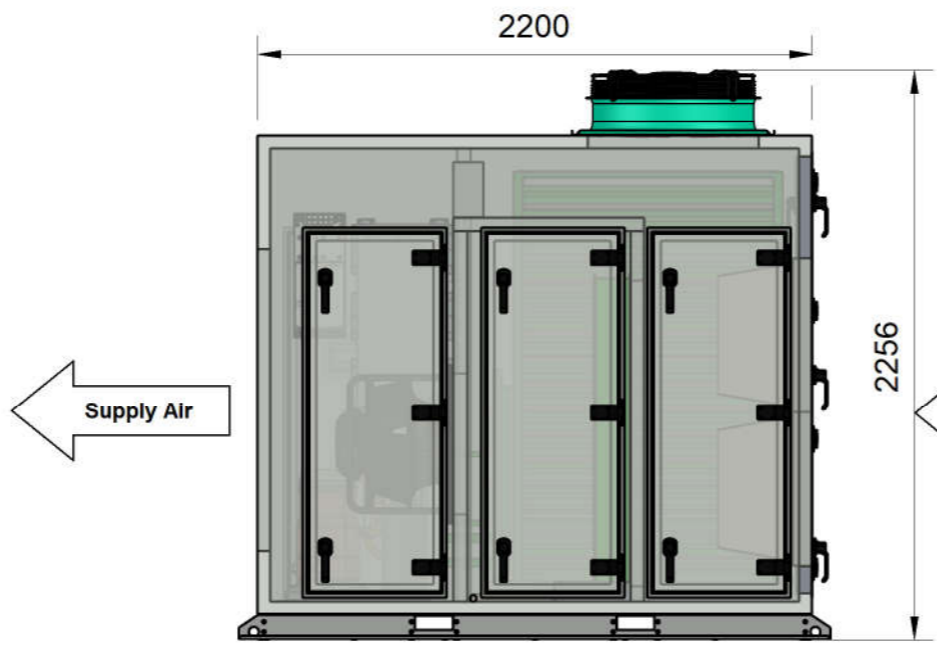
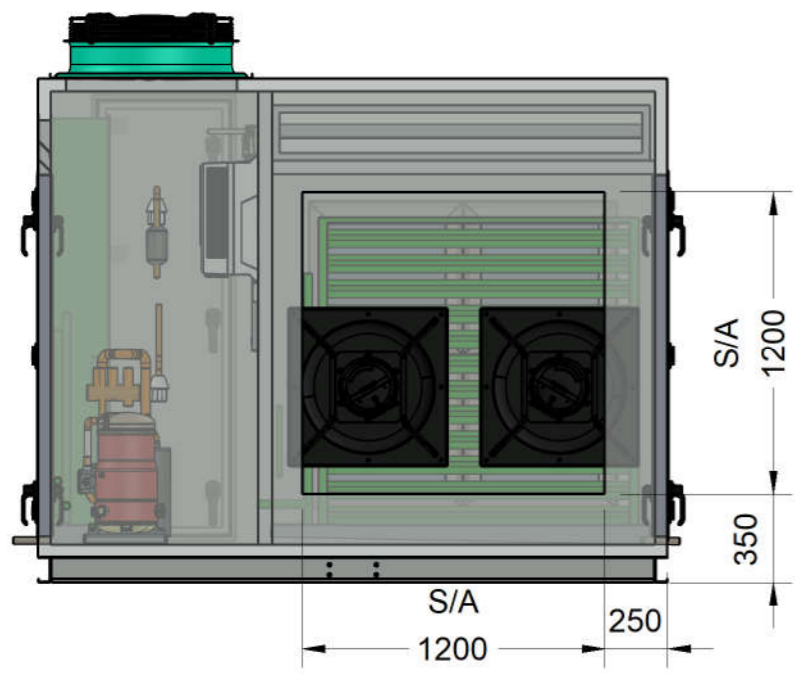


© Copyright: No part of this drawing or design shall be reproduced without authority or consent from Company. All references herein are deemed confidential

DRAIN CONNECTION
Ø25 PVC PIPE



DRAIN CONNECTION
Ø25 PVC PIPE



Notes:
- All Panels are 50mm Colorbond Panel Casing
- Minimum 1200mm Clearance Required from Access Panel

E	A3	General Tolerances acc to : ISO 2768-1 medium	Standard Drawing		
	Scale		Drawn TR	Checked In Design	Dat. 30/06/2022 6:43 AM
		Title OAP3600-52P3	Sheet 1 of 1	Rev. A	S/N.