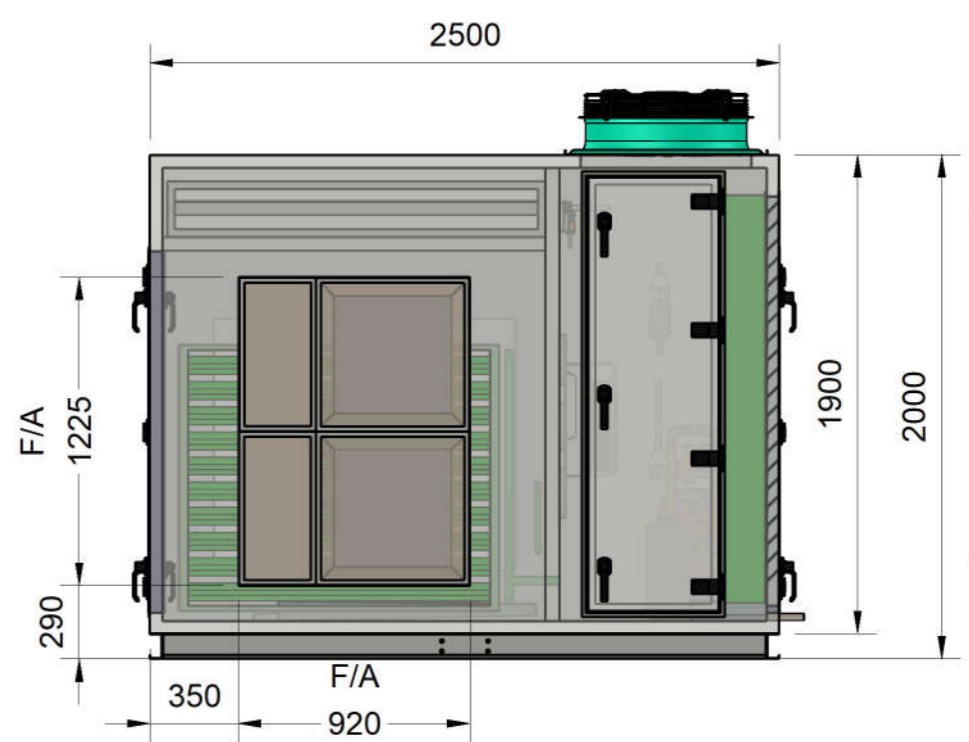
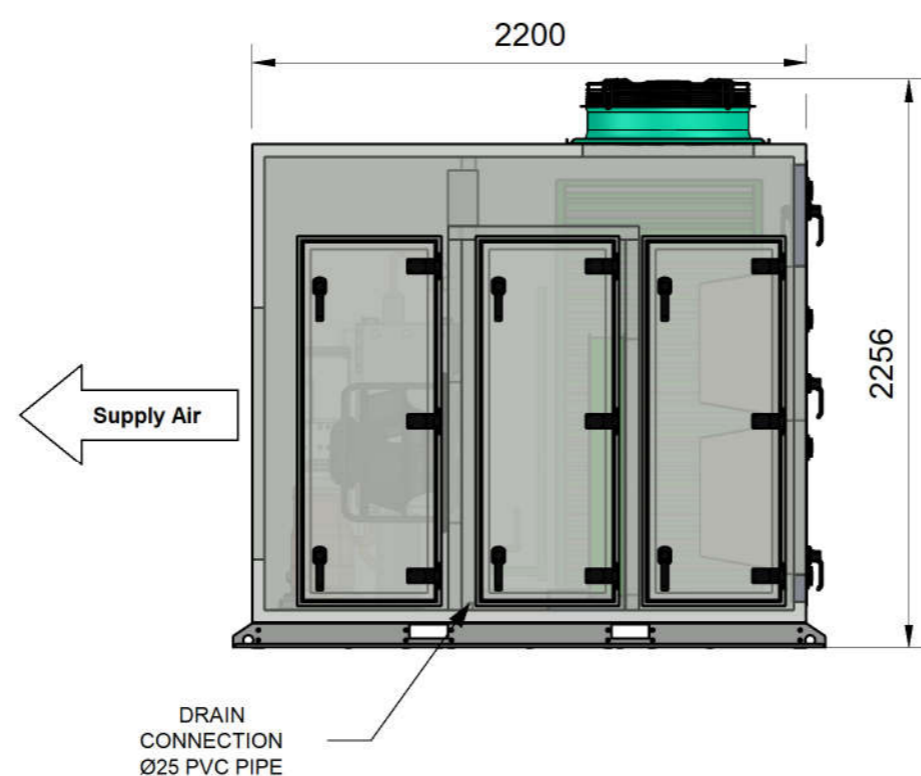
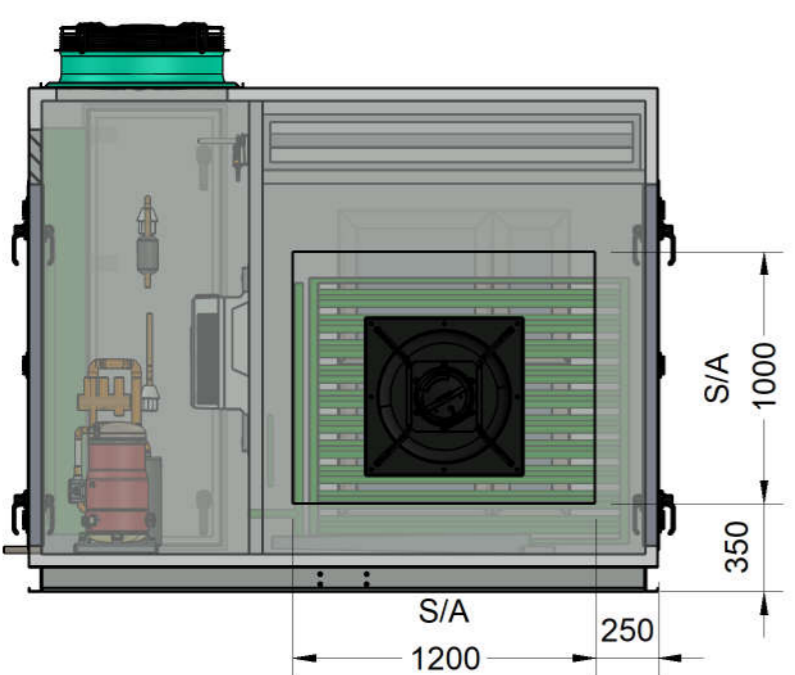
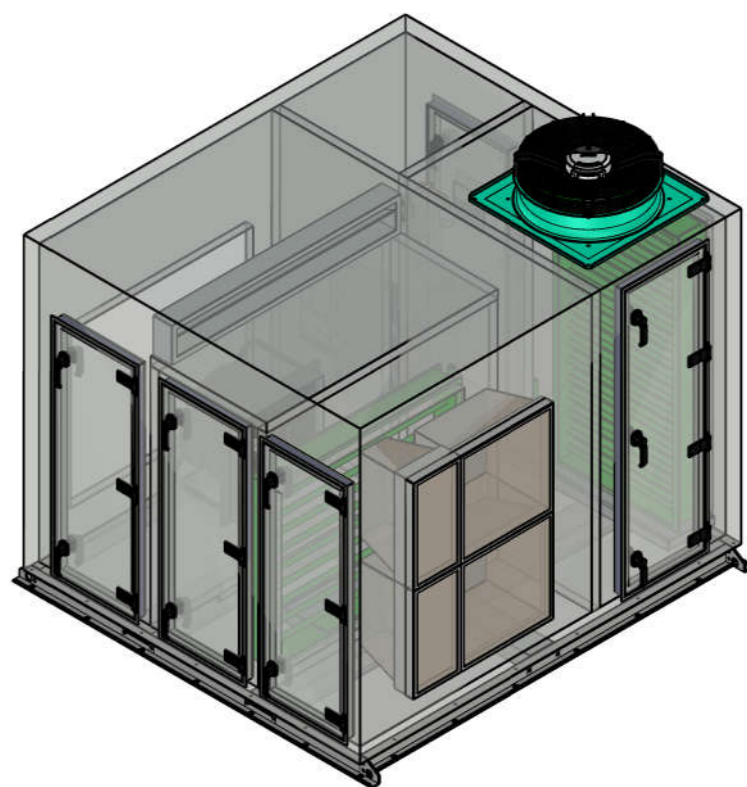
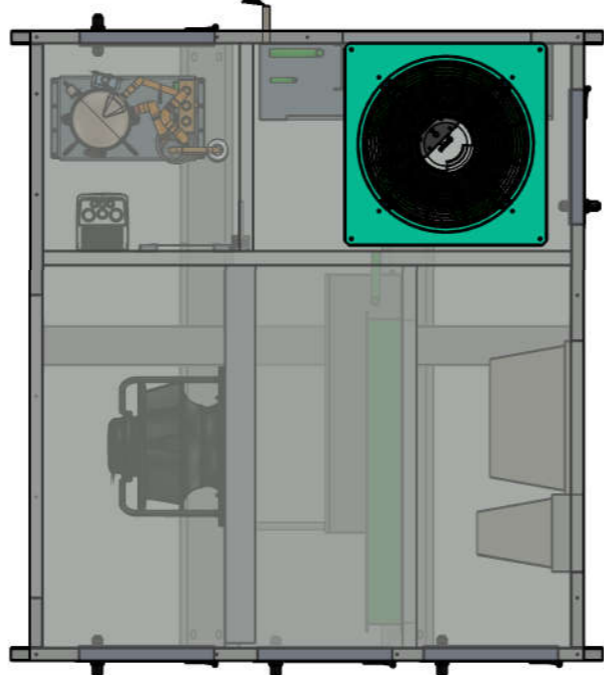


© Copyright: No part of this drawing or design shall be reproduced without authority or consent from Company. All references herein are deemed confidential

DRAIN CONNECTION
Ø25 PVC PIPE



Notes:
 - All Panels are 50mm Colorbond Panel Casing
 - Minimum 1200mm Clearance Required from Access Panel

E	A3	General Tolerances acc to : ISO 2768-1 medium	Standard Drawing		
	Scale		Drawn TR	Checked In Design	Dat. 30/06/2022 6:14 AM
			Title OAP2700-39P3		Sheet 1 of 1
					Rev. A
			S/N.		