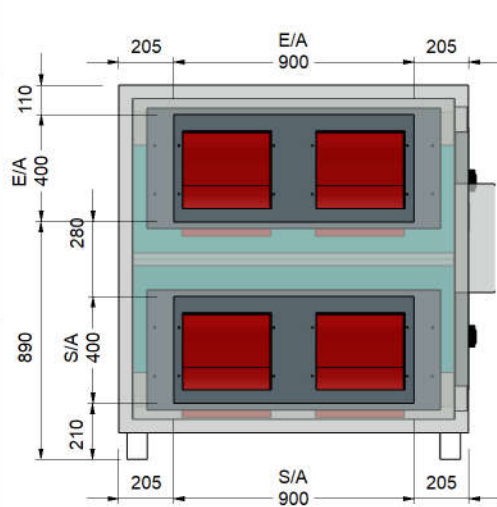
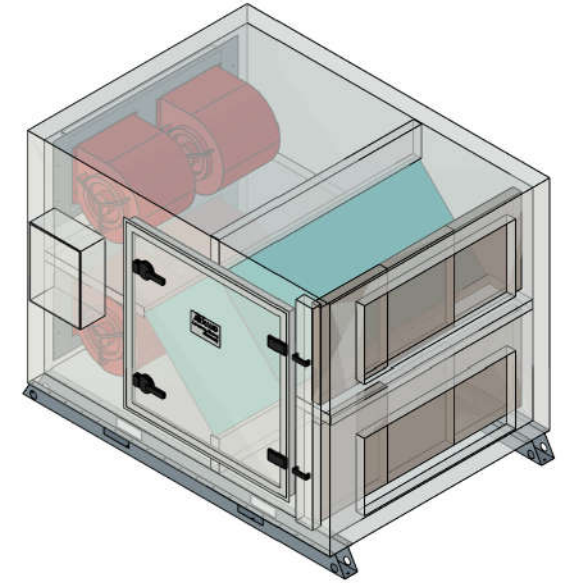
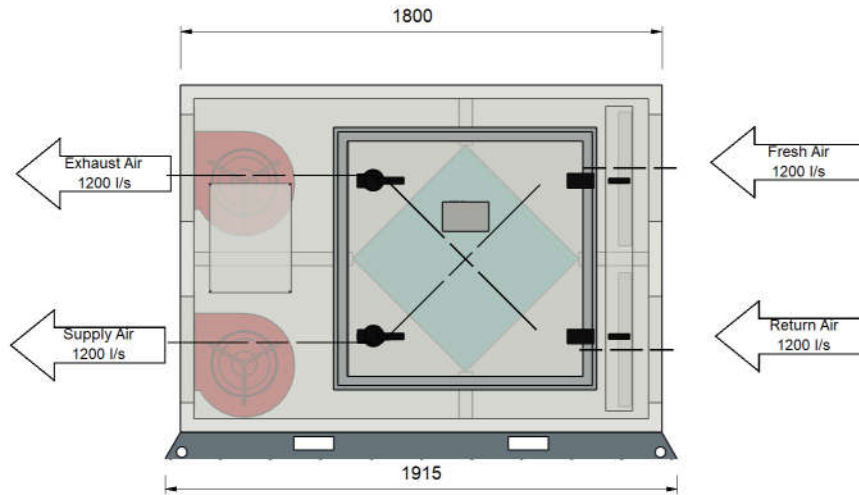


PLAN VIEW

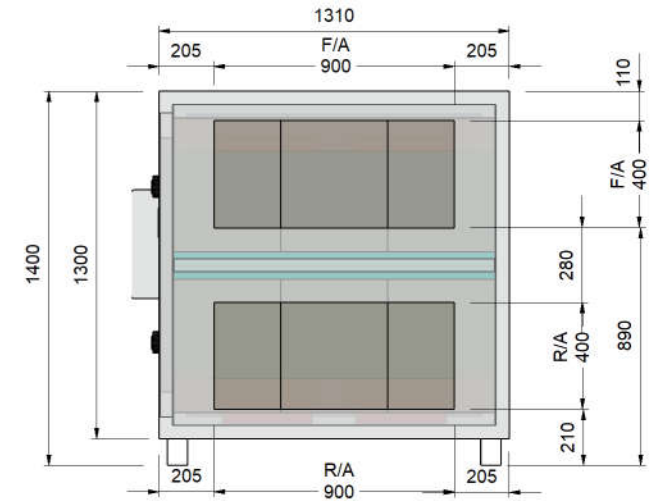
ACCESS PANELS ON THIS SIDE



E/A & S/A SPIGOTS



ELEVATION VIEW - ACCESS PANELS SIDE



F/A & R/A SPIGOTS

ENG NOTES:

- All Panels are 50mm Colorbond Panel Casing
- Minimum 1000mm Clearance from Access Panel

	Scale	General Tolerances acc to : ISO 2768-1 medium	Project: STANDARD DRAWING		
	A3		Drawn: P.Z	Status: In Process	Date: 30/04/2019 1:12 PM
Armcor Air Solutions 109-111 Northcorp Blvd Broadmeadows VIC 3047 Phone 03 8301 9200 Web: www.armcor.com.au Email: sales@armcor.com.au			Title: EXTERNAL UNIT ERV	Sheet 3 of 4	Rev. A
			Model: XEM1200C1	SN.	