

1 2 3 4 5 6 7 8

A

B

C

D

E

F

A

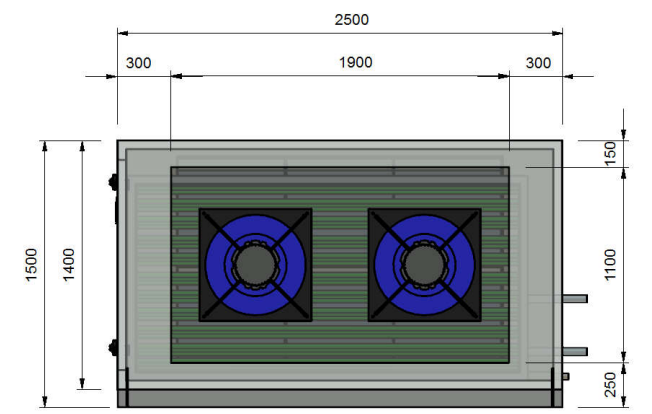
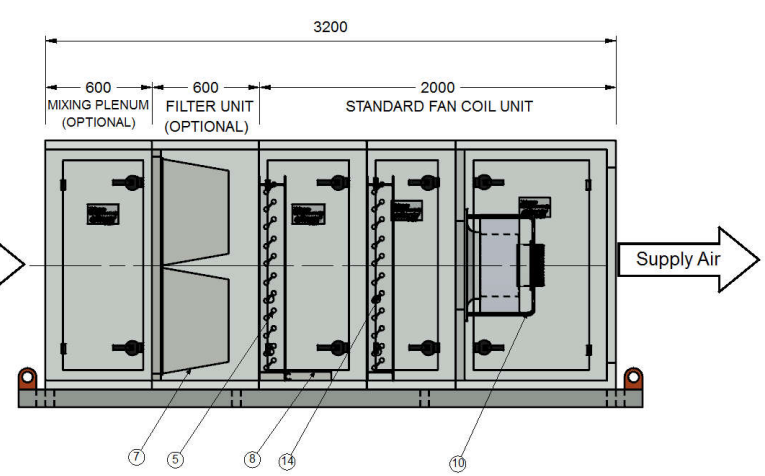
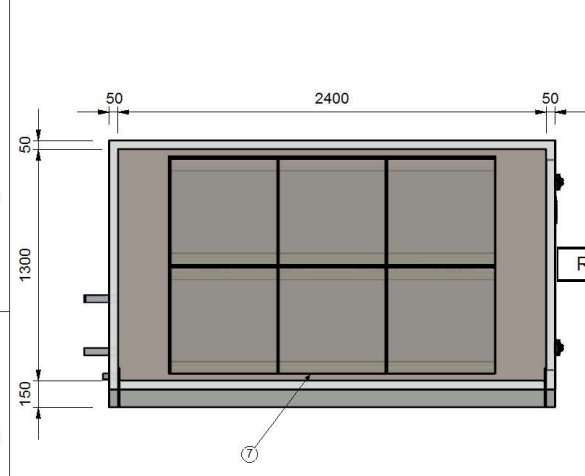
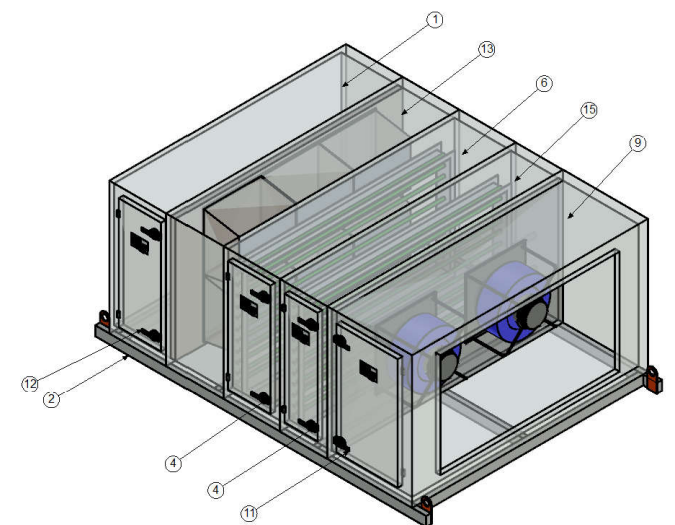
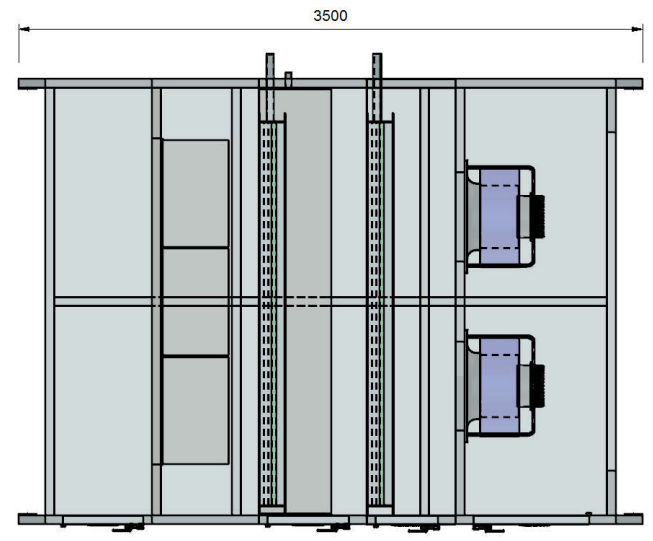
B

C

D

E

F



Item	Description	Qty
1	Air Mixing Compartment	1
2	Base Frame	1
3	Clearance	1
4	Coil Access Panel (Hinged-out)	2
5	CW Coil 2150FL x 1050FH	1
6	CW Coil Compartment	1
7	Deep Bed Filter 600x600	6
8	Drip Tray S/Steel	1
9	EC Fan Compartment	1
10	EC Fan K3G 500-AP25-31	2
11	Fan Access Panel (Hinged-in)	1
12	Filter Access Panel (Hinged-out)	1
13	Filter Compartment	1
14	HW Coil 2150FL x 1050FH	1
15	HW Coil Compartment	1

	Scale	General Tolerances acc to:		Project.		
	A3	ISO 2768-1 medium		STANDARD DRAWING		
	Armcor Air Solutions 109-111 Northcorp Blvd Broadmeadows VIC 3047 Phone 03 8301 9200 Web: www.armcor.com.au Email: sales@armcor.com.au			Drawn. P.Z	Status.	Date. 9/11/2016 4:30 PM
				Title. AIR HANDLING UNIT	Rev. A	
			Model. Model AHU5000P3	SN.		

1 2 3 4 5 6 7 8