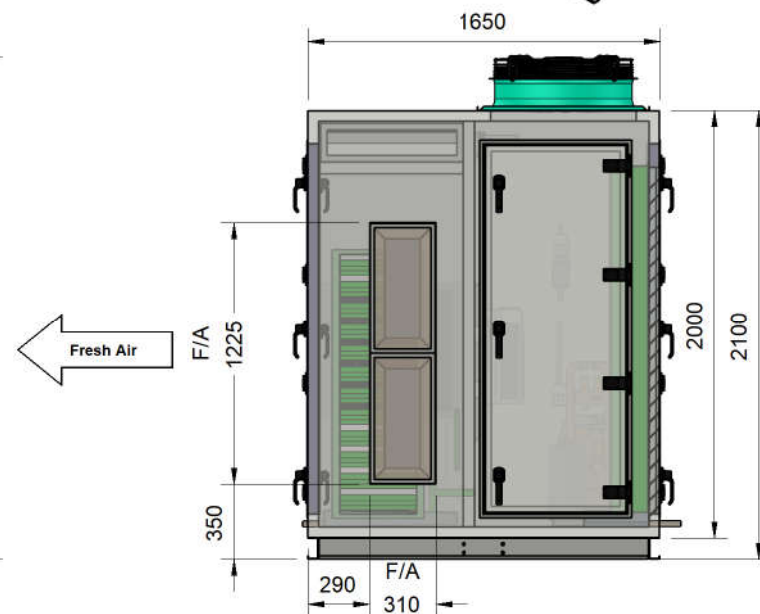
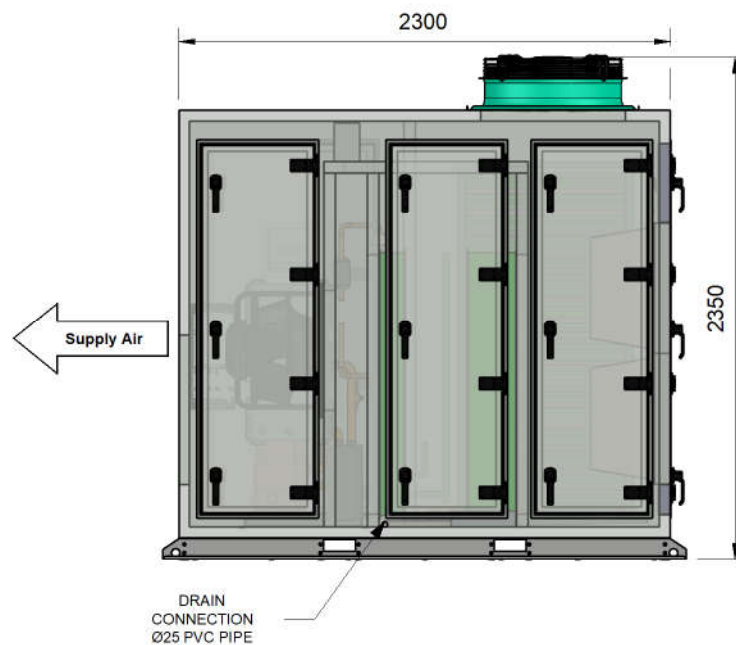
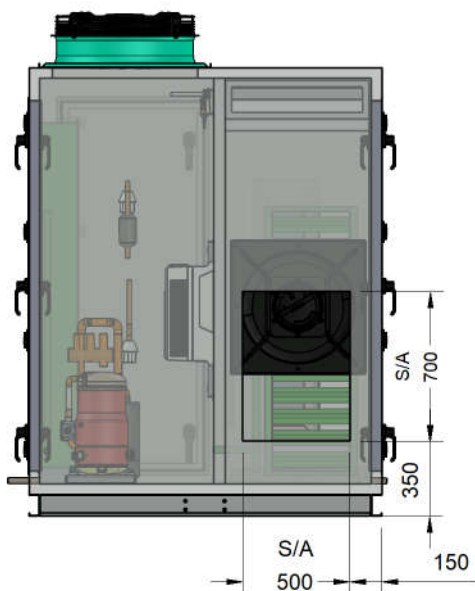
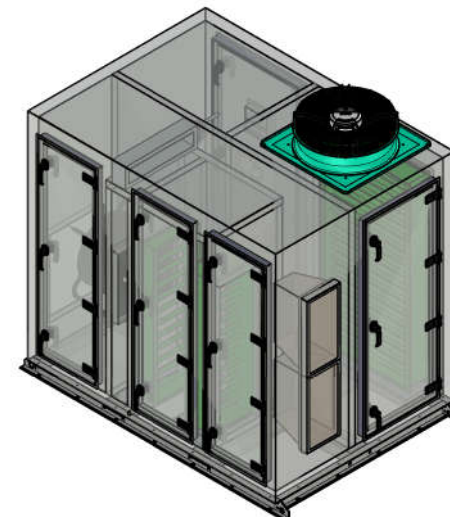
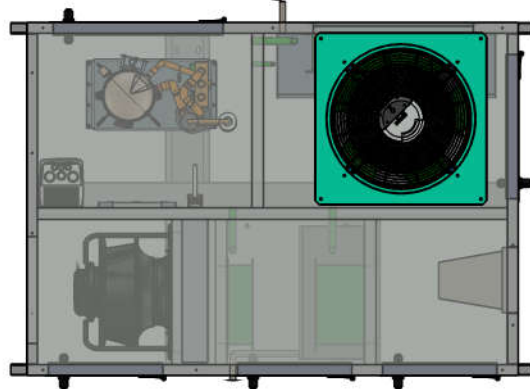


© Copyright: No part of this drawing or design shall be reproduced without authority or consent from Company. All references herein are deemed confidential

DRAIN CONNECTION  
Ø25 PVC PIPE



Notes:  
 - All Panels are 50mm Colorbond Panel Casing  
 - Minimum 1200mm Clearance Required from Access Panel  
 ±15mm tolerance

E ⊕	A3	General Tolerances acc to: ISO 2768-1 medium	Standard Drawing		
	Scale		Drawn TR	Checked In Design	Dat. 24/05/2022 3:18 PM
		Title HTC900-45P3	Sheet 1 of 1 S/N.	Rev. A	