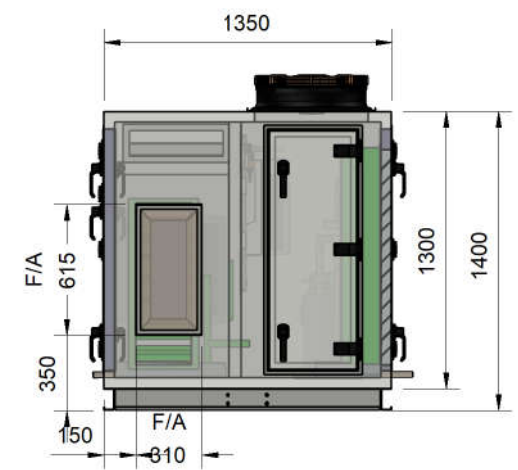
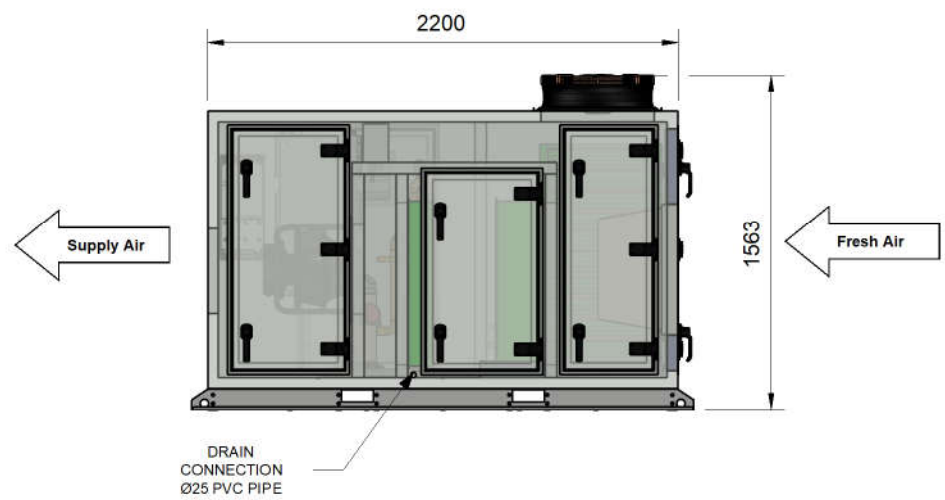
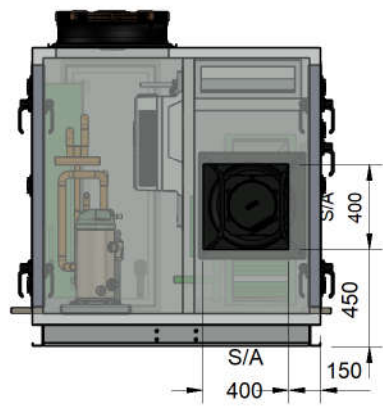
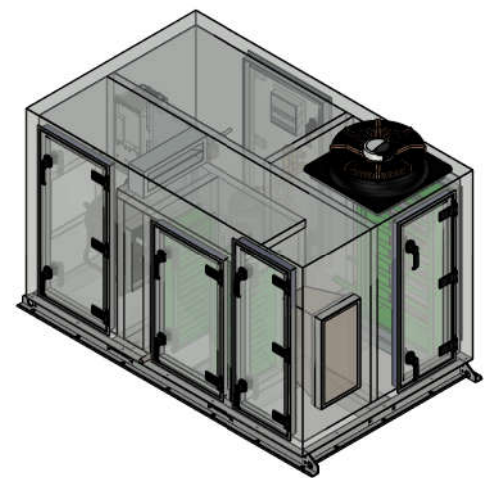
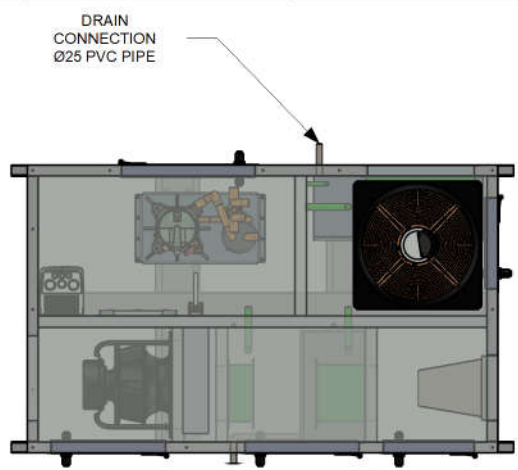


© Copyright: No part of this drawing or design shall be reproduced without authority or consent from Company. All references herein are deemed confidential



Notes:
 - All Panels are 50mm Colorbond Panel Casing
 - Minimum 1200mm Clearance Required from Access Panel
 ±15mm tolerance

E ⊕	A3	General Tolerances acc to : ISO 2768-1 medium	Standard Drawing		
	Scale		Drawn TR	Checked In Design	Dat. 30/06/2022 1:58 PM
		Title HTC400-20P3	Sheet 1 of 1	Rev. A	S/N.