



XES900P3 TECHNICAL DATA

TECHNICAL SPECIFICATIONS

NOMINAL AIRFLOW

Supply Air (l/sec)	600 - 900
Return Air (l/sec)	600 - 900
Fresh Air (l/sec)	600 - 900
Condensor Air (l/sec)	540
Exhaust Air (l/sec)	1440

SUPPLY FAN

Fan Type	EC Plug Fan
Motor Power (Watts)	1900
External Static (Pa)	250
Fan Diameter	355
Number of Fans	1

EXHAUST FAN

Fan Type	EC Plug Fan
Motor Power (Watts)	1900
External Static (Pa)	250
Fan Diameter	355
Number of Fans	1

ELECTRICAL

Supply Fan FLA (A)	2.6 - 2.6 - 2.6
Exhaust Fan FLA (A)	2.6 - 2.6 - 2.6
Compressor Current (A)	11.0 - 11.0 - 11.0
Nominal Run Current	16.2 - 16.2 - 16.2
Maximum Full Load (A)	21.0 - 21.0 - 21.0
Volt/Phase	415V/3ph
Switchboard	Yes
Circuit Breakers	Yes

CONTROLS

0-10V DC (Fan Control)	Included
24V AC Control Relays	Included
Fan Fault Signal	Included
Fan Status	Available

HEAT EXCHANGER

*RATED AT STANDARD CONDITIONS OF
35.5° db/24.0° wb

Sensible Media	Standard
Module Size (mm)	600 x 600 x 400D
Number of Modules	2
Face Velocity (m/sec)	1.75
Pressure Drop (Pa)	61.0
Kw Recovered (Heating)*	15.6

CABINET CONSTRUCTION

Casing	50mm Insulated Panel
Finish	Surf Mist Colourbond
Insulation Value	R2.0
Side Access Panels	Included
Corrosion Resistant Lining	Included

DESIGN TEMPERATURES

Ambient (DB/WB) Summer	35°C/24°C
Return Air (DB/WB) Summer	24°C/17°C
Ambient Winter	7°C
Return Air Winter	21°C

COIL SELECTION

Indoor Coil FL x FH (mm)	740 X 500
Face Velocity (m/sec)	2.4
Outdoor Coil FL x FH (mm)	740 X 710
Face Velocity (m/sec)	2.7
Anti-Corrosion Coil Coating	Included
Drain Tray	Stainless Steel

REFRIGERATION *At standard design temperatures

Heating Capacity (kW)*	18
Cooling Capacity (kW)*	18
Compressor	1 - Fixed Speed
Refrigerant Gas	R407C
Expansion Device	TX Biflow Valves
Head Pressure Control	Included

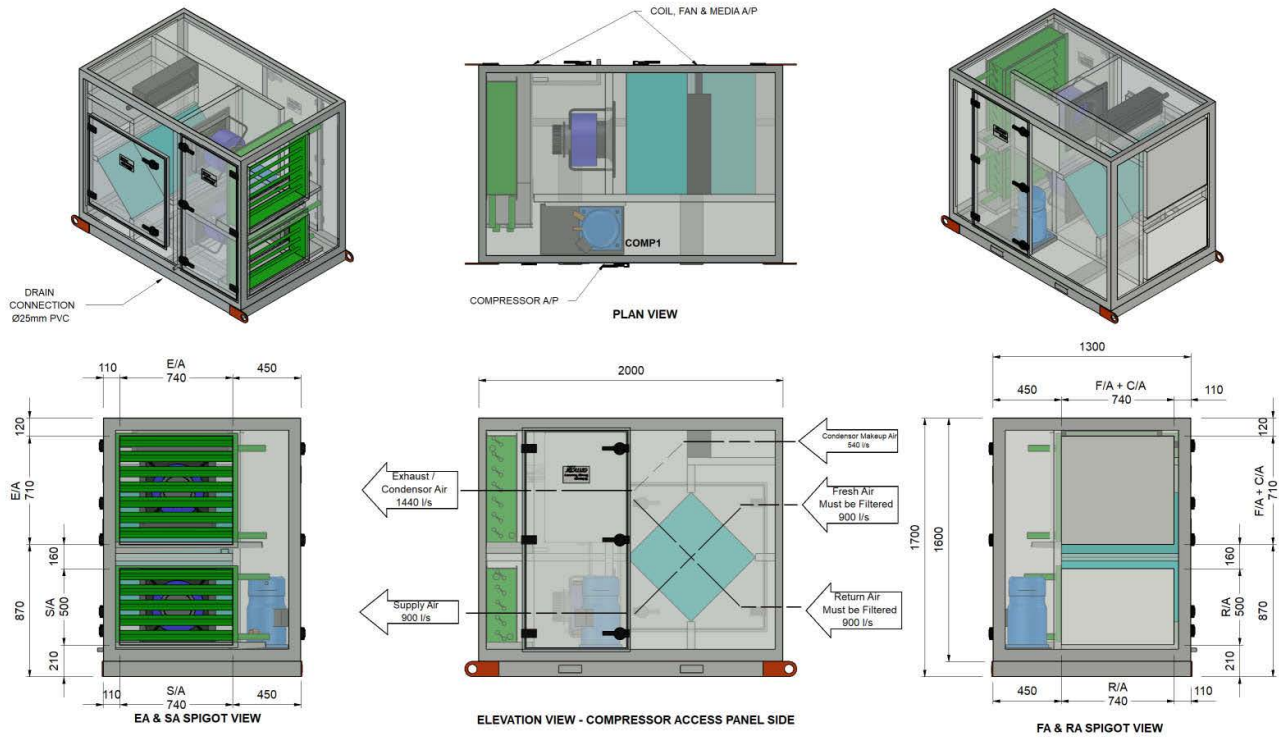
OPTIONS

Economy Cycle	Available (XES900P3EC)
Return Air Bypass Damper	Available



XES900P3 TECHNICAL DATA

TECHNICAL DRAWINGS - XES900P3



DIMENSIONS	
Height (mm)	1700
Width (mm)	1300
Length (mm)	2000
Weight (Kg)	615
Access Clearance (mm)	1200 (Fan & Media Access)
Access Clearance (mm)	1200 (Electrical Controls)

DUCT SIZES	
Supply Air (mm)	740x500
Return Air (mm)	740x500
Fresh Air/Condensor Air Inlet	740x710
Exhaust/Condensor Air	740x710
Recommended min F/A Filter size	740x500

COMPRESSOR PERFORMANCE DATA

COMPRESSOR CAPACITY (KW) - COOLING

RETURN AIR TEMPERATURE	OUTDOOR COIL ENTERING AIR TEMPERATURE (E.A.T) °C db											
24°C/17°C db/wb	23		27		31		35		39		43	
	Total	Sens.	Total	Sens.	Total	Sens.	Total	Sens.	Total	Sens.	Total	Sens.
	19.4	15.9	19.1	15.9	18.7	15.8	18.0	15.3	16.7	14.5	15.5	11.2

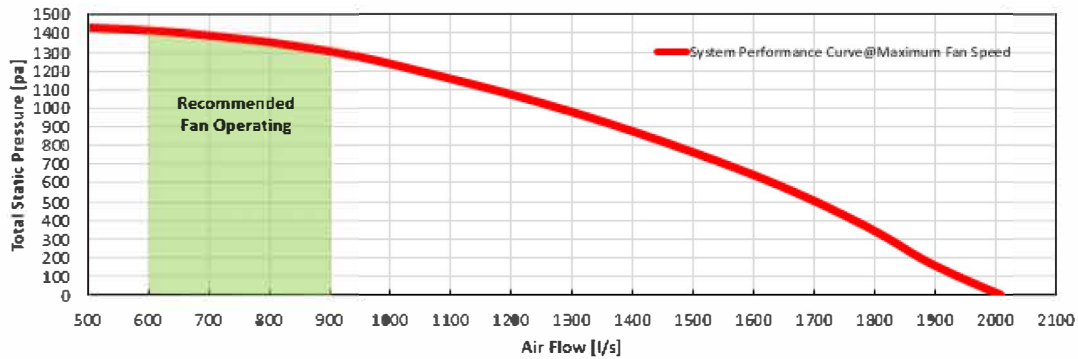
COMPRESSOR CAPACITY (KW) - HEATING

RETURN AIR TEMPERATURE	OUTDOOR COIL ENTERING AIR TEMPERATURE (E.A.T) °C db						
22°C	-1	1	3	5	7	9	
	13.9	14.8	15.7	16.9	18.0	18.7	



XES900P3 TECHNICAL DATA

FAN PERFORMANCE DATA

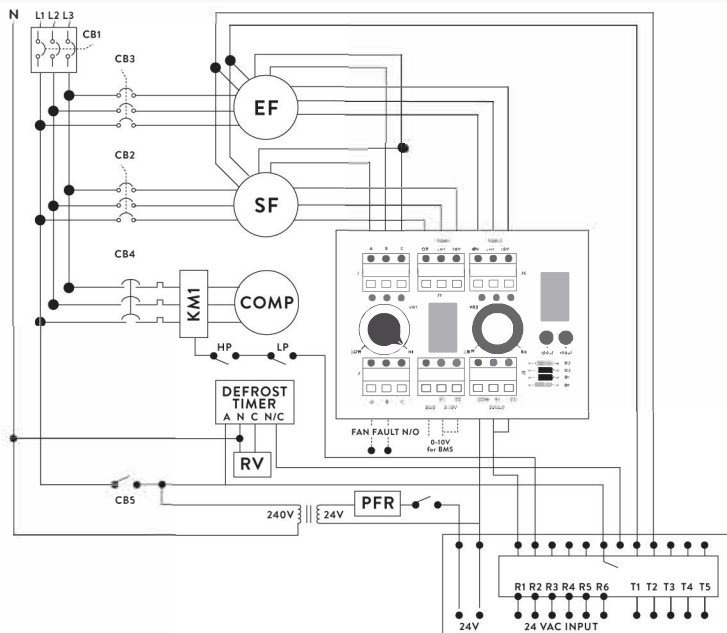


SOUND POWER LEVELS*

INLET RATING dB		OUTLET RATING dB	
63 Hz	64.3	63 Hz	66.1
125 Hz	70.1	125 Hz	70.4
250 Hz	71	250 Hz	70.2
500 Hz	69.9	500 Hz	73.7
1K Hz	67.3	1K Hz	75.3
2K Hz	68.1	2K Hz	73.1
4K Hz	67.1	4K Hz	72.2
8K Hz	60.4	8K Hz	65.1
LwA	74.4	LwA	79.9

* Sound Power Levels @ 600 Pa Total Static Pressure and 900 l/s Total Air Volume.

WIRING DIAGRAM



FAN CONTROLLER

0-10V DC BMS CONNECTION or
24V AC FAN SPEED VIA POTS

STANDARD INCLUSIONS

- CB CIRCUIT BREAKERS
- R1 TIME DELAY RELAY
- PFR PHASE FAILURE RELAY
- RV REVERSING VALVE
- HP HIGH PRESSURE
- LP LOW PRESSURE
- MCB COMPRESSOR OVERLOAD
- CCH COMP. SUMP HEATER

OPTIONS

- CSR CURRENT SENSING RELAY (T1 T2)
- T3 T4 0-10V DIGITAL COMP.

Designed and manufactured in Australia

Armcor Air Solutions

109-111 Northcorp Blvd, Broadmeadows 3047

P 1800 244 556 E sales@armcor.com.au

www.armcor.com.au

© 2016 Armcor Air Solutions reserves the right to alter products and specifications without notice and does not accept responsibility for possible errors and omissions in published documentation. Date: 15/04/2018 Document: XES900P3_techspec Version Number: V 12.2018

