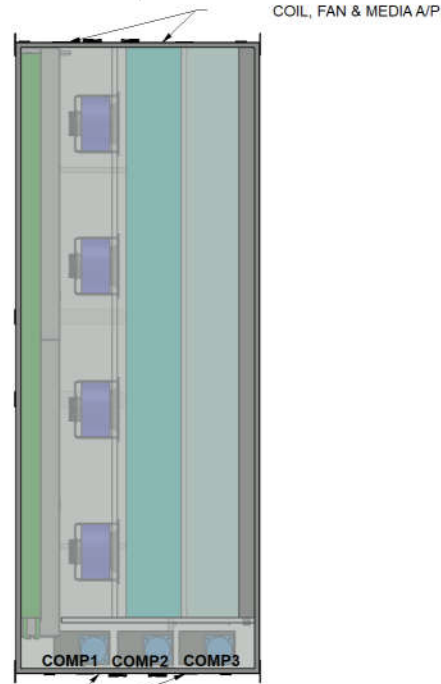


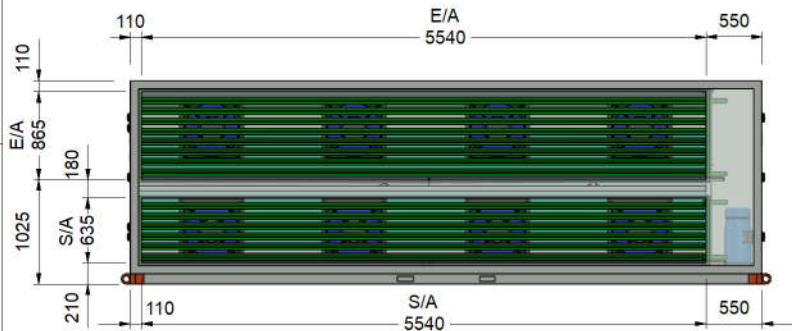
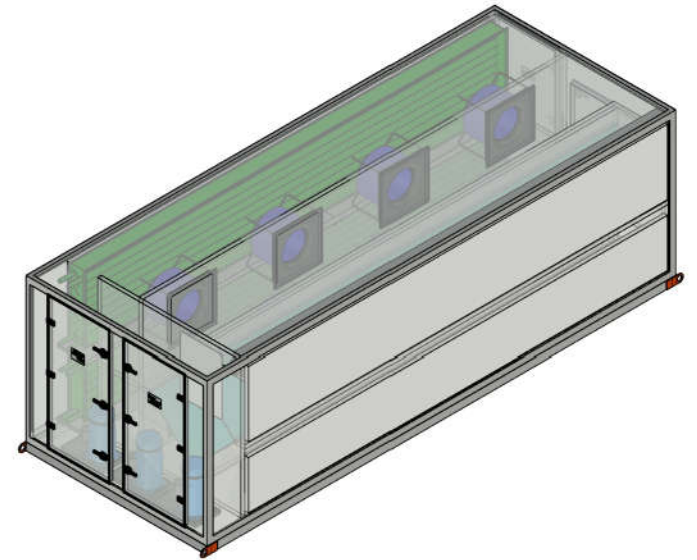
DRAIN CONNECTION
Ø25mm PVC



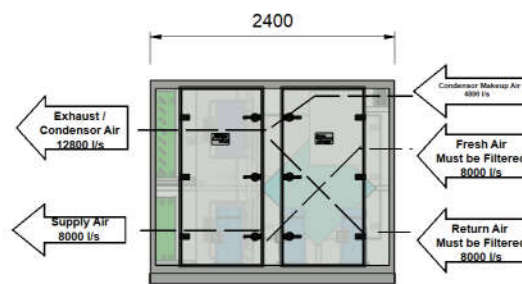
COIL, FAN & MEDIA A/P

COMP1 COMP2 COMP3

COMPRESSOR A/P
PLAN VIEW



EA & SA SPIGOT VIEW



VARIATION VIEW - COMPRESSOR ACCESS PANEL SIDE



FA & RA SPIGOT VIEW

Notes:
 - All Panels are 50mm Colorbond Panel Casing, Epoxy Coated Internally
 - Minimum 1200mm Clearance Required from Access Panel

	Scale	General Tolerances acc to :		Project: STANDARD DRAWING			
	A3	ISO 2768-1 medium		Drawn. P.Z	Status.	Date. 14/05/2018 3:04 PM	
	Armcor Air Solutions 109-111 Northcorp Blvd Broadmeadows VIC 3047 Phone 03 8301 9200 Web: www.armcor.com.au Email: sales@armcor.com.au				Title. SWIMMING POOL PAC - ERV	Sheet 1 of 2	Rev. A
					Model. Model XES8000P3	SN.	