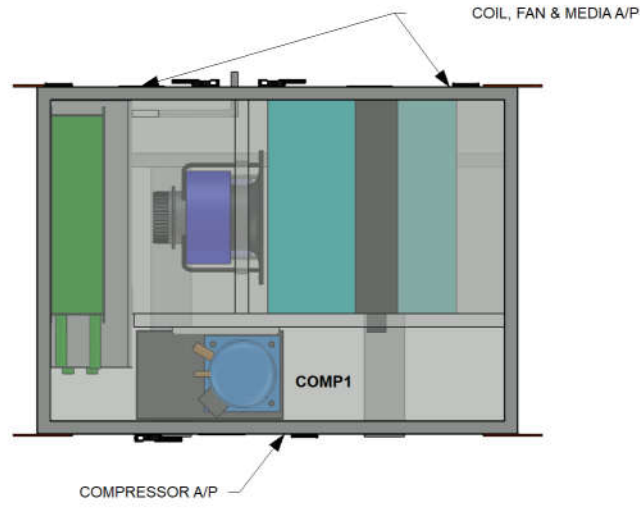
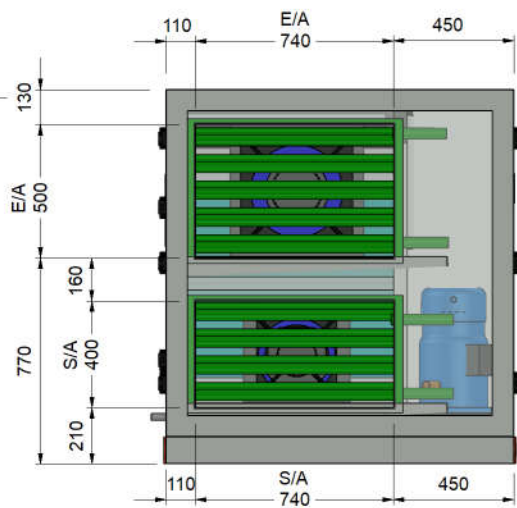
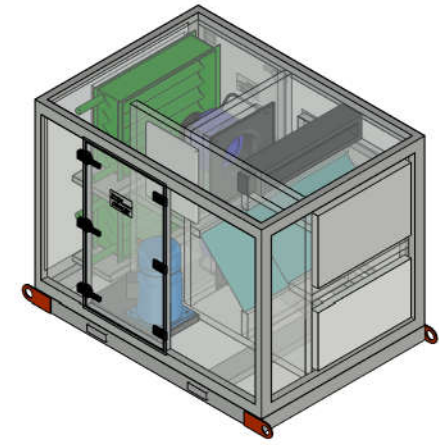


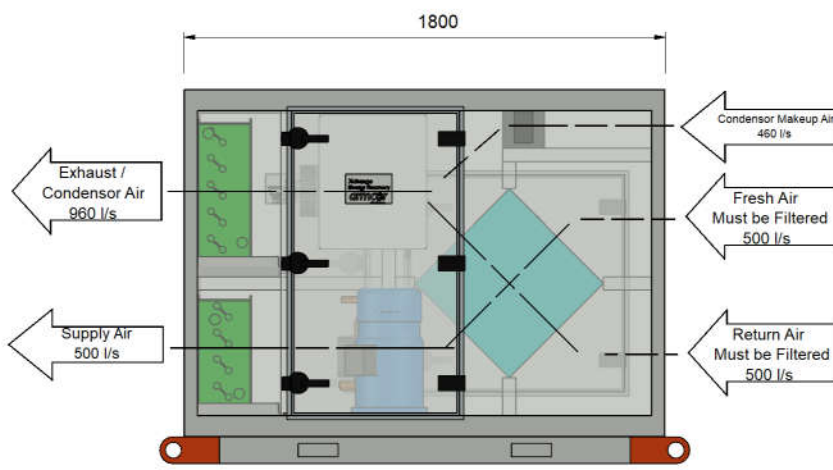
DRAIN CONNECTION
Ø25mm PVC



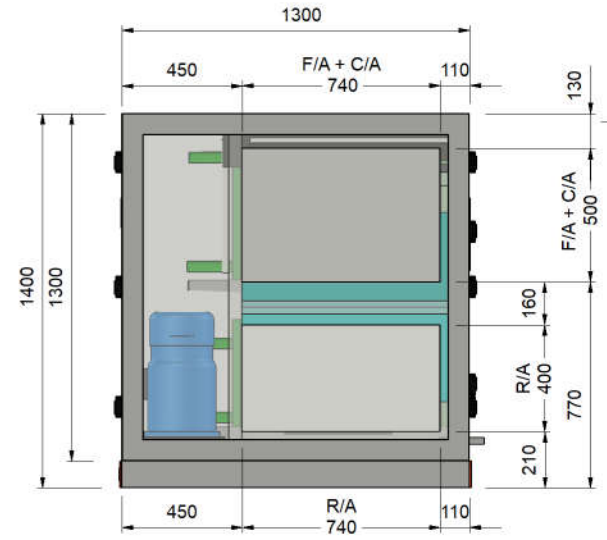
PLAN VIEW



EA & SA SPIGOT VIEW



ELEVATION VIEW - COMPRESSOR ACCESS PANEL SIDE



FA & RA SPIGOT VIEW

- Notes:**
- All Panels are 50mm Colorbond Panel Casing
 - Minimum 1200mm Clearance Required from Access Panel

	Scale	General Tolerances acc to : ISO 2768-1 medium	Project: STANDARD DRAWING			
	A3		Drawn. P.Z	Status.	Date. 14/05/2018 11:18 AM	
	Armcor Air Solutions 109-111 Northcorp Blvd Broadmeadows VIC 3047 Phone 03 8301 9200 Web: www.armcor.com.au Email: sales@armcor.com.au			Title. SWIMMING POOL PAC - ERV	Sheet 1 of 2	Rev. A
				Model. Model XES500P3	SN.	