



XEP5000P3 TECHNICAL DATA

TECHNICAL SPECIFICATIONS

NOMINAL AIRFLOW

Supply Air (l/sec)	5000
Return Air (l/sec)	5000
Fresh Air (l/sec)	5000
Condensor Makeup Air (l/sec)	2680
Exhaust / Condensor Air (l/sec)	7680

SUPPLY FAN

Fan Type	EC Plug Fan
Motor Power (Watts)	2825
External Static (Pa)	250
Fan Diameter	450
Number of Fans	2

EXHAUST FAN

Fan Type	EC Plug Fan
Motor Power (Watts)	2825
External Static (Pa)	250
Fan Diameter	450
Number of Fans	3

ELECTRICAL

Supply Fan FLA (A)	8.6 - 8.6 - 8.6
Exhaust Fan FLA (A)	12.9 - 12.9 - 12.9
Compressor Current (A)	46.0 - 46.0 - 46.0
Nominal Run Current (A)	67.5 - 67.5 - 67.5
Maximum Full Load (A)	88.0 - 88.0 - 88.0
Volt/Phase	415V/3ph
Switchboard	Yes
Circuit Breakers	Yes

CONTROLS

0-10V DC (Fan Control)	Included
24V AC Control Relays	Included
Fan Fault Signal	Included
Fan Status	Available

HEAT EXCHANGER

*RATED AT STANDARD CONDITIONS OF
35.5° db/24.0° wb

Enthalphy Media	Standard
Sensible Media	Available
Module Size (mm)	800 x 800 x 400D
Number of Modules	8
Face Velocity (m/sec)	2.2
Pressure Drop (Pa)	236.5
Kw Recovered (Cooling)*	95.6
Kw Recovered (Heating)*	86.8

CABINET CONSTRUCTION

Casing	50mm Insulated Panel
Finish	Surf Mist Colourbond
Insulation Value	R2.0
Side Access Panels	Included

DESIGN TEMPERATURES

Ambient (DB/WB) Summer	35°C/24°C
Return Air (DB/WB) Summer	24°C/17°C
Ambient Winter	3°C
Return Air Winter	21°C

COIL SELECTION

Indoor Coil FL x FH (mm)	3355 x 635
Face Velocity (m/sec)	2.3
Outdoor Coil FL x FH (mm)	3355 x 865
Face Velocity (m/sec)	2.6
Anti-Corrosion Coil Coating	Included
Drain Tray	Stainless Steel

REFRIGERATION

Heating Capacity (kW)	96.0
Cooling Capacity (kW)	96.0
Compressor 1	Fixed Speed
Compressor 2	Fixed Speed
Refrigerant Gas	R407C
Expansion Device	TX Biflow Valves
Head Pressure Control	Included

OPTIONS

Economy Cycle	Available (XEP5000P3EC)
Return Air Bypass Damper	Available



XEP5000P3 TECHNICAL DATA

TECHNICAL DRAWINGS - XEP5000P3 STANDARD PAC UNIT

DIMENSIONS	
Height (mm)	2000
Width (mm)	4000
Length (mm)	2400
Weight (Kg)	1920
Access Clearance (mm)	1200 (Fan & Media Access)
Access Clearance (mm)	1200 (Electrical Controls)

DUCT SIZES	
Supply Air (mm)	33 x 635
Return Air (mm)	33 x 6
Fresh Air / Condensor Air Inlet	33 x 865
Exhaust / Condensor Air	33 x 8
Recommended Min F/A Filter Size	3300 x 0

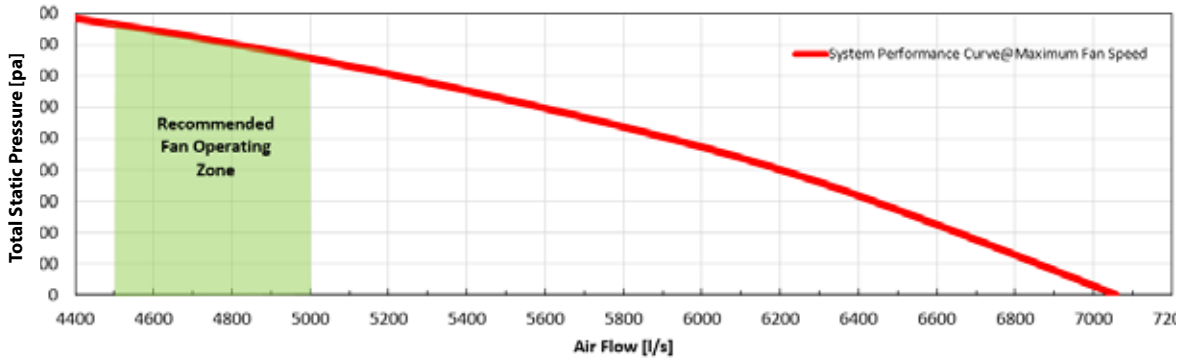
XCHANGE ERV

PACKAGED AIR CONDITIONING

XEP5000P3 TECHNICAL DATA



FAN PERFORMANCE DATA

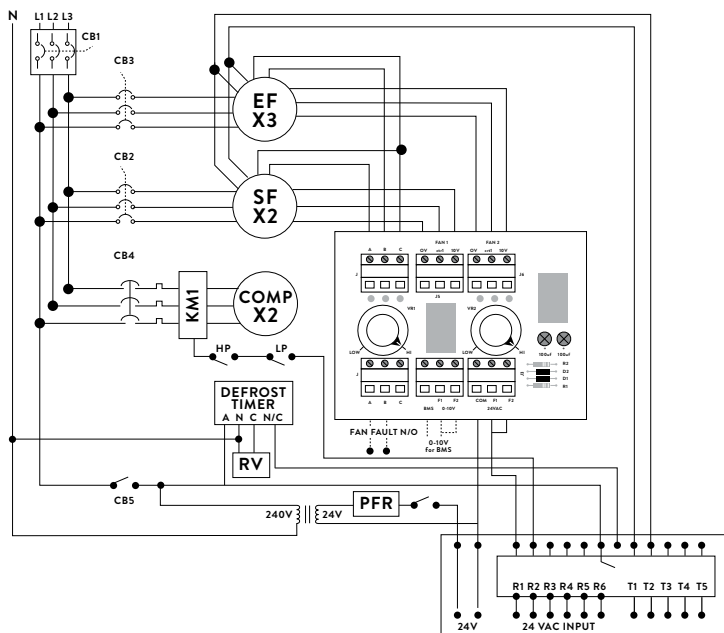


SOUND POWER LEVELS*

INLET RATING dB		OUTLET RATING dB	
63 Hz	69.4	63 Hz	72
125 Hz	69.9	125 Hz	73.1
250 Hz	81	250 Hz	80.2
500 Hz	76.2	500 Hz	81.6
1K Hz	74.2	1K Hz	83.1
2K Hz	74.6	2K Hz	80.1
4K Hz	72	4K Hz	76.6
8K Hz	70.5	8K Hz	73.3
LwA	81.1	LwA	87

* Sound Power Levels @ 650 Pa Total Static Pressure and 5000 l/s Total Air Volume measured at 1.0m distance from Fan Axis.

WIRING DIAGRAM



FAN CONTROLLER

0-10V DC BMS CONNECTION or
24V AC FAN SPEED VIA POTS

STANDARD INCLUSIONS

- CB CIRCUIT BREAKERS
- R1 TIME DELAY RELAY
- PFR PHASE FAILURE RELAY
- RV REVERSING VALVE
- HP HIGH PRESSURE
- LP LOW PRESSURE
- MCB COMPRESSOR OVERLOAD
- CCH COMP. SUMP HEATER

OPTIONS

- CSR CURRENT SENSING RELAY (T1 T2)
- T3 T4 0-10V DIGITAL COMP.

Designed and manufactured in Australia

Armcor Air Solutions

109-111 Northcorp Blvd, Broadmeadows 3047

P 1800 244 556 E sales@armcor.com.au

www.armcor.com.au

