



## XEP4500P3 TECHNICAL DATA

### TECHNICAL SPECIFICATIONS

#### NOMINAL AIRFLOW

Supply Air (l/sec)	4500
Return Air (l/sec)	4500
Fresh Air (l/sec)	4500
Condensor Makeup Air (l/sec)	2540
Exhaust / Condensor Air (l/sec)	7040

#### SUPPLY FAN

Fan Type	EC Plug Fan
Motor Power (Watts)	2825
External Static (Pa)	250
Fan Diameter	450
Number of Fans	2

#### EXHAUST FAN

Fan Type	EC Plug Fan
Motor Power (Watts)	2825
External Static (Pa)	250
Fan Diameter	450
Number of Fans	3

#### ELECTRICAL

Supply Fan FLA (A)	8.6 - 8.6 - 8.6
Exhaust Fan FLA (A)	12.9 - 12.9 - 12.9
Compressor Current (A)	41.0 - 41.0 - 41.0
Nominal Run Current (A)	62.5 - 62.5 - 62.5
Maximum Full Load (A)	81.3 - 81.3 - 81.3
Volt/Phase	415V/3ph
Switchboard	Yes
Circuit Breakers	Yes

#### CONTROLS

0-10V DC (Fan Control)	Included
24V AC Control Relays	Included
Fan Fault Signal	Included
Fan Status	Available

#### HEAT EXCHANGER

\*RATED AT STANDARD CONDITIONS OF  
35.5° db/24.0° wb

Enthalphy Media	Standard
Sensible Media	Available
Module Size (mm)	800 x 800 x 400D
Number of Modules	7
Face Velocity (m/sec)	2.3
Pressure Drop (Pa)	244.4
Kw Recovered (Cooling)*	83.8
Kw Recovered (Heating)*	77.8

#### CABINET CONSTRUCTION

Casing	50mm Insulated Panel
Finish	Surf Mist Colourbond
Insulation Value	R2.0
Side Access Panels	Included

#### DESIGN TEMPERATURES

Ambient (DB/WB) Summer	35°C/24°C
Return Air (DB/WB) Summer	24°C/17°C
Ambient Winter	3°C
Return Air Winter	21°C

#### COIL SELECTION

Indoor Coil FL x FH (mm)	3050 x 635
Face Velocity (m/sec)	2.3
Outdoor Coil FL x FH (mm)	3050 x 865
Face Velocity (m/sec)	2.7
Anti-Corrosion Coil Coating	Included
Drain Tray	Stainless Steel

#### REFRIGERATION

Heating Capacity (kW)	85.0
Cooling Capacity (kW)	85.0
Compressor 1	Fixed Speed
Compressor 2	Fixed Speed
Refrigerant Gas	R407C
Expansion Device	TX Biflow Valves
Head Pressure Control	Included

#### OPTIONS

Economy Cycle	Available (XEP4500P3EC)
Return Air Bypass Damper	Available



# XEP4500P3 TECHNICAL DATA

## TECHNICAL DRAWINGS - XEP4500P3 STANDARD PAC UNIT

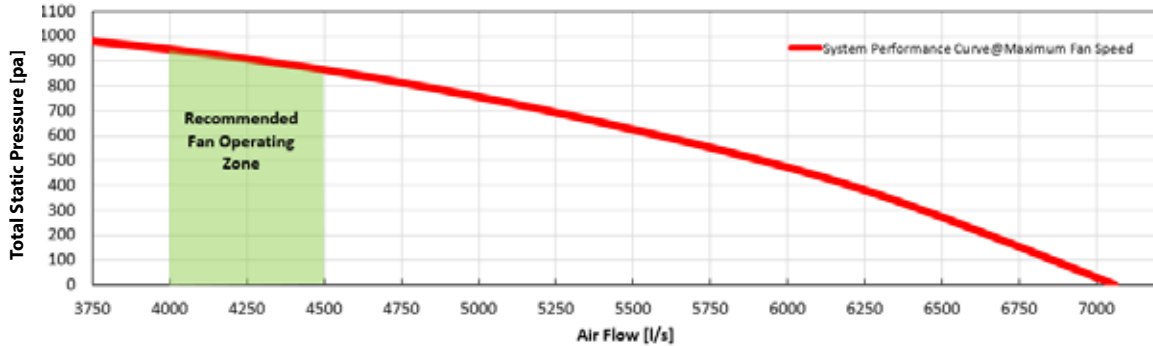
DIMENSIONS	
Height (mm)	2000
Width (mm)	3700
Length (mm)	2400
Weight (Kg)	1850
Access Clearance (mm)	1200 (Fan & Media Access)
Access Clearance (mm)	1200 (Electrical Controls)

DUCT SIZES	
Supply Air (mm)	30 0 x 635
Return Air (mm)	30 0 x 6
Fresh Air / Condensor Air Inlet	30 0 x 865
Exhaust / Condensor Air	30 0 x 8
Recommended Min F/A Filter Size	3000 x 600



## XEP4500P3 TECHNICAL DATA

### FAN PERFORMANCE DATA

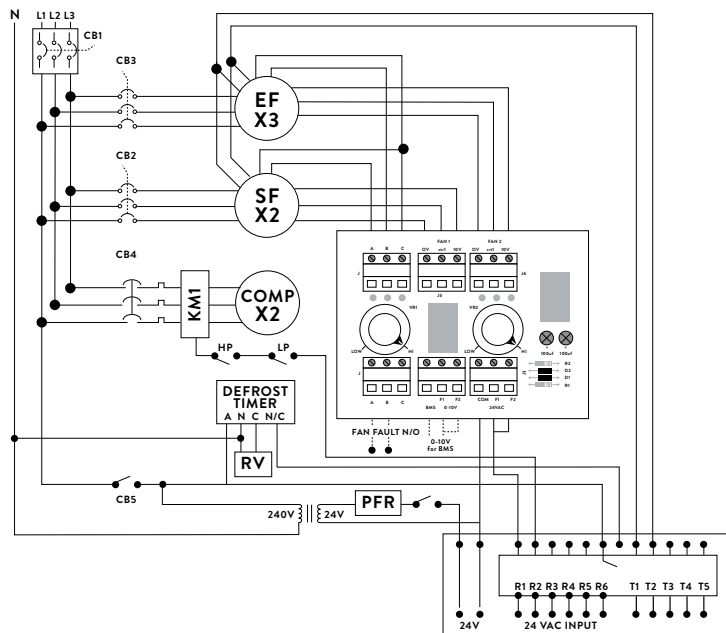


### SOUND POWER LEVELS\*

INLET RATING dB		OUTLET RATING dB	
63 Hz	68.8	63 Hz	71.3
125 Hz	71.3	125 Hz	74.2
250 Hz	78.6	250 Hz	79.3
500 Hz	75	500 Hz	80.1
1K Hz	73.1	1K Hz	81.9
2K Hz	73	2K Hz	78.8
4K Hz	70.6	4K Hz	75.3
8K Hz	67.6	8K Hz	70.8
LwA	79.6	LwA	85.6

\*Sound Power Levels @ 650 Pa Total Static Pressure and 4500 l/s Total Air Volume measured at 1.0m distance from Fan Axis.

### WIRING DIAGRAM



#### FAN CONTROLLER

0-10V DC BMS CONNECTION or  
24V AC FAN SPEED VIA POTS

#### STANDARD INCLUSIONS

- CB CIRCUIT BREAKERS
- R1 TIME DELAY RELAY
- PFR PHASE FAILURE RELAY
- RV REVERSING VALVE
- HP HIGH PRESSURE
- LP LOW PRESSURE
- MCB COMPRESSOR OVERLOAD
- CCH COMP. SUMP HEATER

#### OPTIONS

- CSR CURRENT SENSING RELAY (T1 T2)
- T3 T4 0-10V DIGITAL COMP.

Designed and manufactured in Australia

#### Armcor Air Solutions

109-111 Northcorp Blvd, Broadmeadows 3047

P 1800 244 556 E sales@armcor.com.au

www.armcor.com.au

