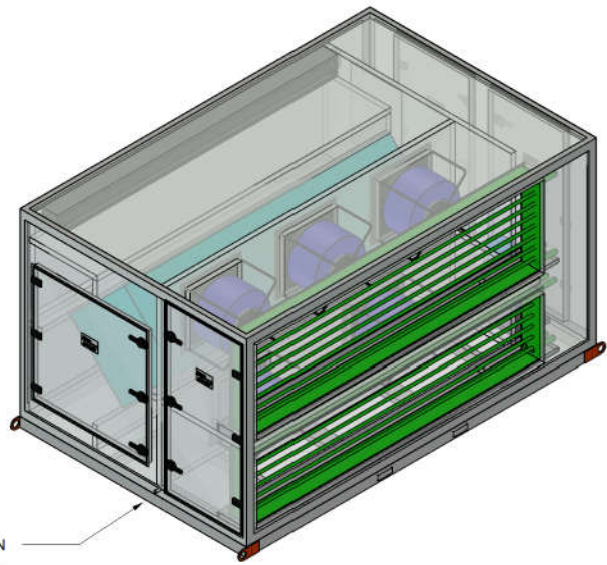
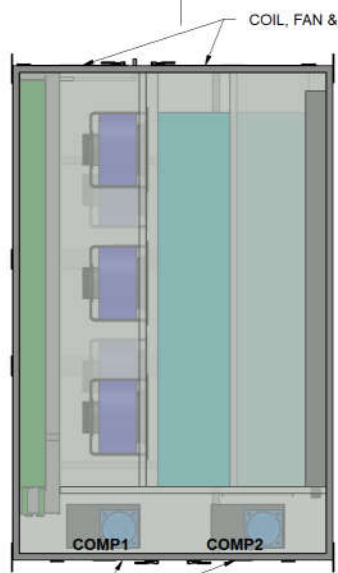


1 2 3 4 5 6 7 8

A
B
C
D
E
F



DRAIN CONNECTION
Ø25mm PVC



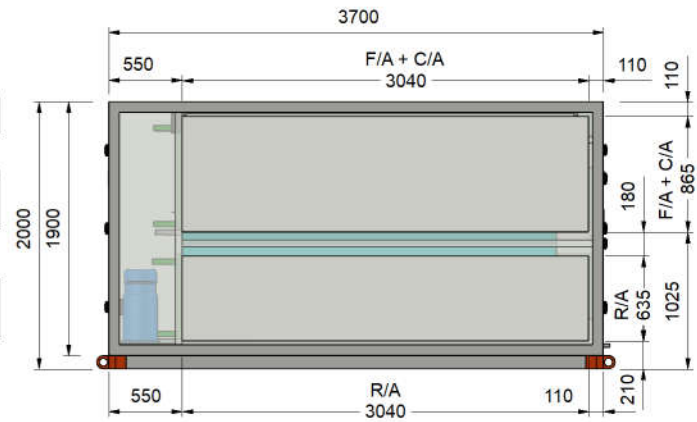
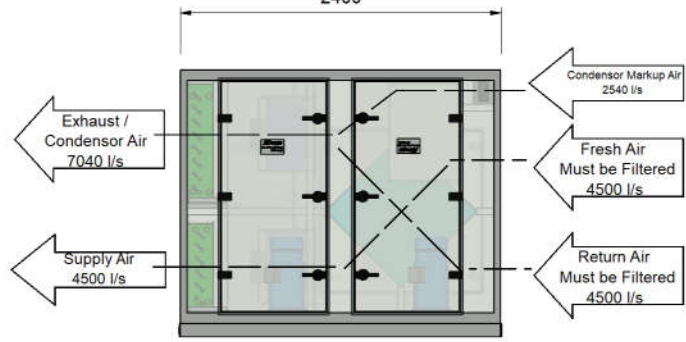
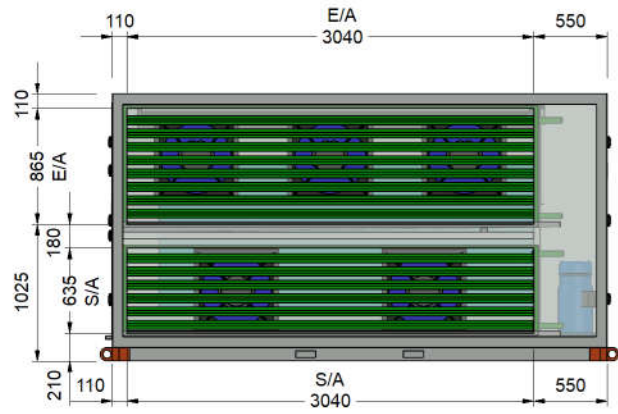
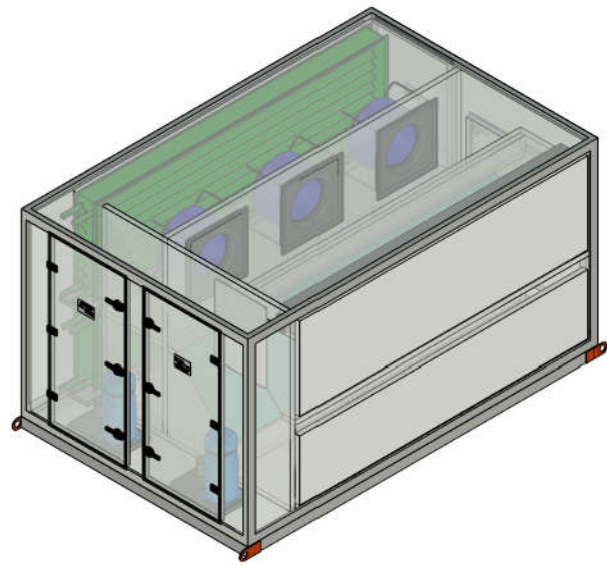
COIL, FAN & MEDIA A/P

COMP1 COMP2

COMPRESSOR A/P

PLAN VIEW

2400



Notes:
 - All Panels are 50mm Colorbond Panel Casing, Epoxy Coated Internally
 - Minimum 1200mm Clearance Required from Access Panel

	Scale	General Tolerances acc to :		Project: STANDARD DRAWING			
	A3	ISO 2768-1 medium		Drawn. P.Z	Status.	Date. 14/05/2018 2:43 PM	
	Armcor Air Solutions 109-111 Northcorp Blvd Broadmeadows VIC 3047 Phone 03 8301 9200 Web: www.armcor.com.au Email: sales@armcor.com.au				Title. SWIMMING POOL PAC - ERV	Sheet 1 of 2	Rev. A
					Model. Model XES4500P3	SN.	

1 2 3 4 5 6 7 8