

1 2 3 4 5 6 7 8

A

B

C

D

E

F

A

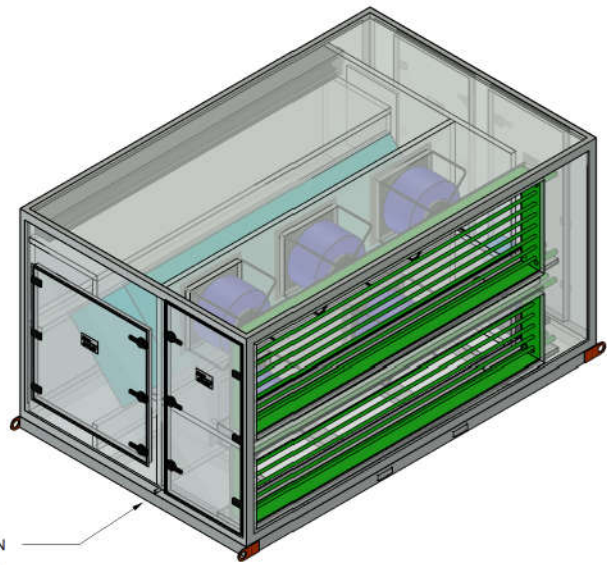
B

C

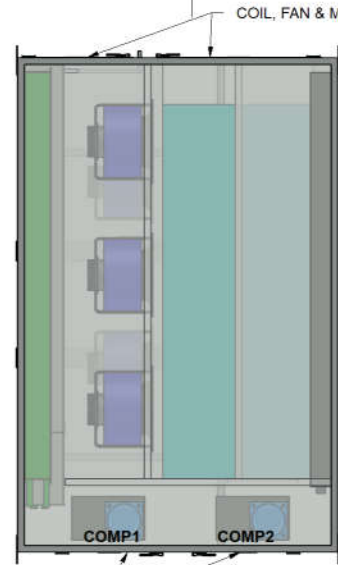
D

E

F



DRAIN CONNECTION
Ø25mm PVC



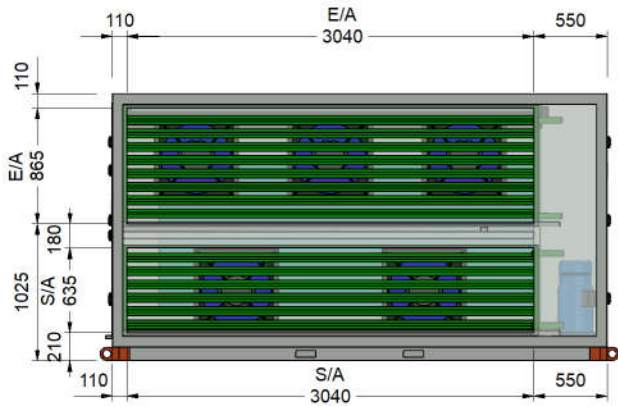
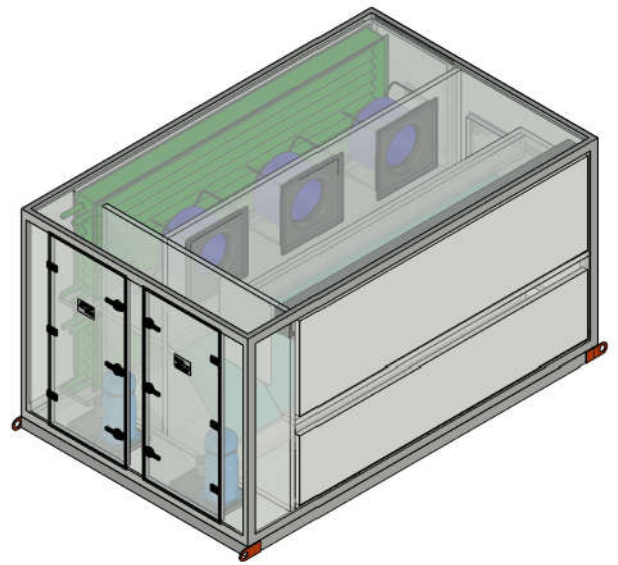
COIL, FAN & MEDIA A/P

COMP1 COMP2

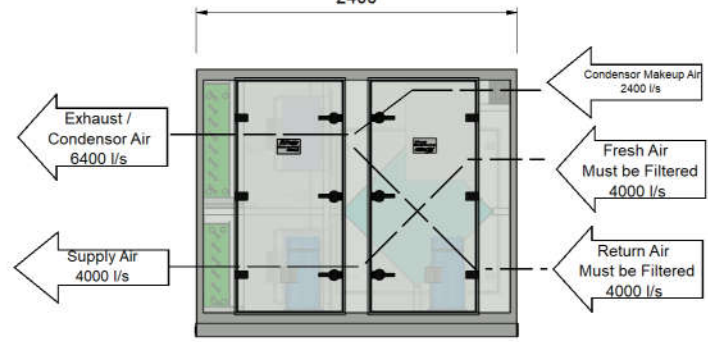
COMPRESSOR A/P

PLAN VIEW

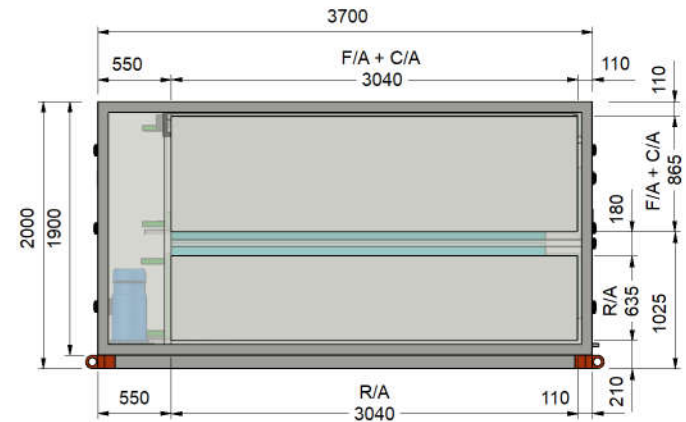
2400



EA & SA SPIGOT VIEW



ELEVATION VIEW - COMPRESSOR ACCESS PANEL SIDE



FA & RA SPIGOT VIEW

Notes:
 - All Panels are 50mm Colorbond Panel Casing, Epoxy Coated Internally
 - Minimum 1200mm Clearance Required from Access Panel

	Scale	General Tolerances acc to :		Project		
	A3	ISO 2768-1 medium		STANDARD DRAWING		
	Armcor Air Solutions 109-111 Northcorp Blvd Broadmeadows VIC 3047 Phone 03 8301 9200 Web: www.armcor.com.au Email: sales@armcor.com.au			Drawn. P.Z	Status.	Date. 14/05/2018 2:39 PM
				Title. SWIMMING POOL PAC - ERV	Sheet 1 of 2	Rev. A
			Model. Model XES4000P3	SN.		

1 2 3 4 5 6 7 8