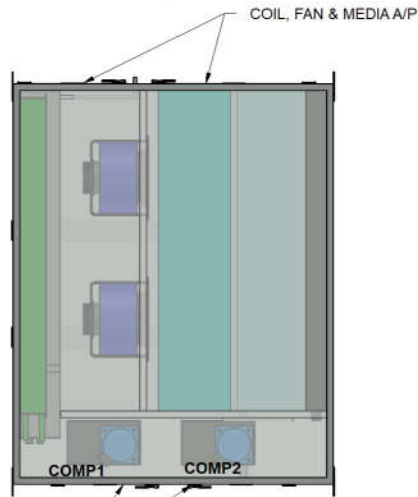


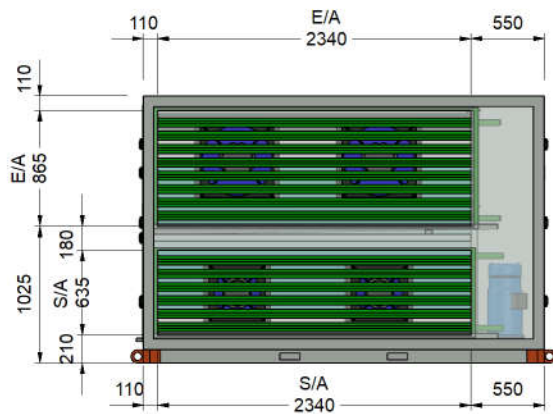
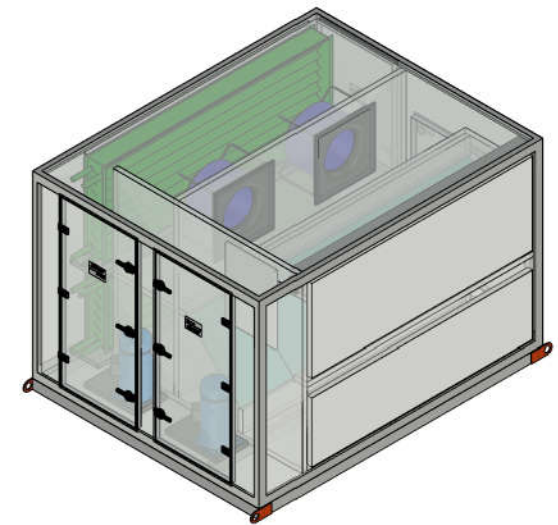
DRAIN CONNECTION
Ø25mm PVC



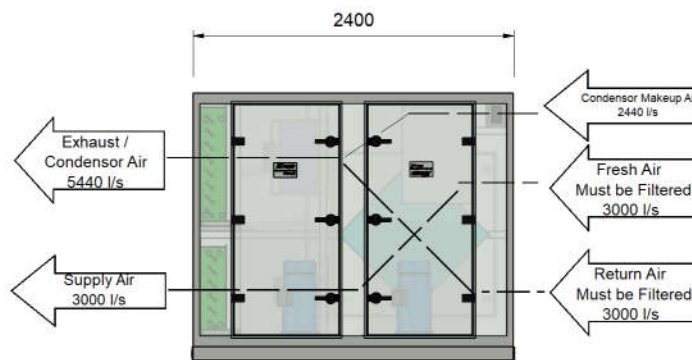
COIL, FAN & MEDIA A/P

COMP1 COMP2

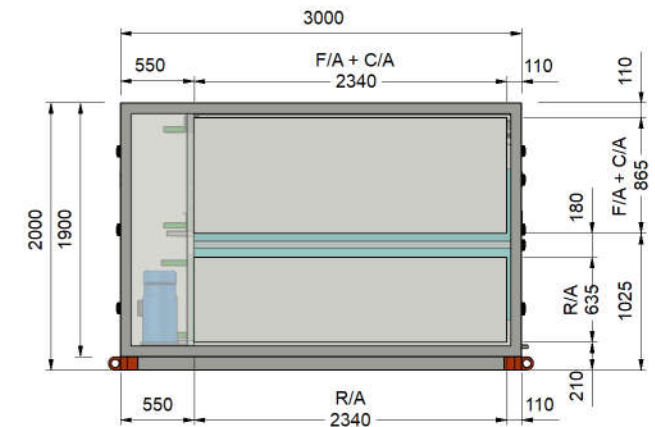
COMPRESSOR A/P
PLAN VIEW



EA & SA SPIGOT VIEW



VARIATION VIEW - COMPRESSOR ACCESS PANEL SIDE



FA & RA SPIGOT VIEW

Notes:

- All Panels are 50mm Colorbond Panel Casing, Epoxy Coated Internally
- Minimum 1200mm Clearance Required from Access Panel

	Scale	General Tolerances acc to :		Project: STANDARD DRAWING		
	A3	ISO 2768-1 medium		Drawn: P.Z	Status:	Date: 14/05/2018 2:11 PM
	Armcor Air Solutions 109-111 Northcorp Blvd Broadmeadows VIC 3047 Phone 03 8301 9200 Web: www.armcor.com.au Email: sales@armcor.com.au			Title: SWIMMING POOL PAC - ERV	Sheet 1 of 2	Rev. A
				Model: Model XES3000P3	SN.	