

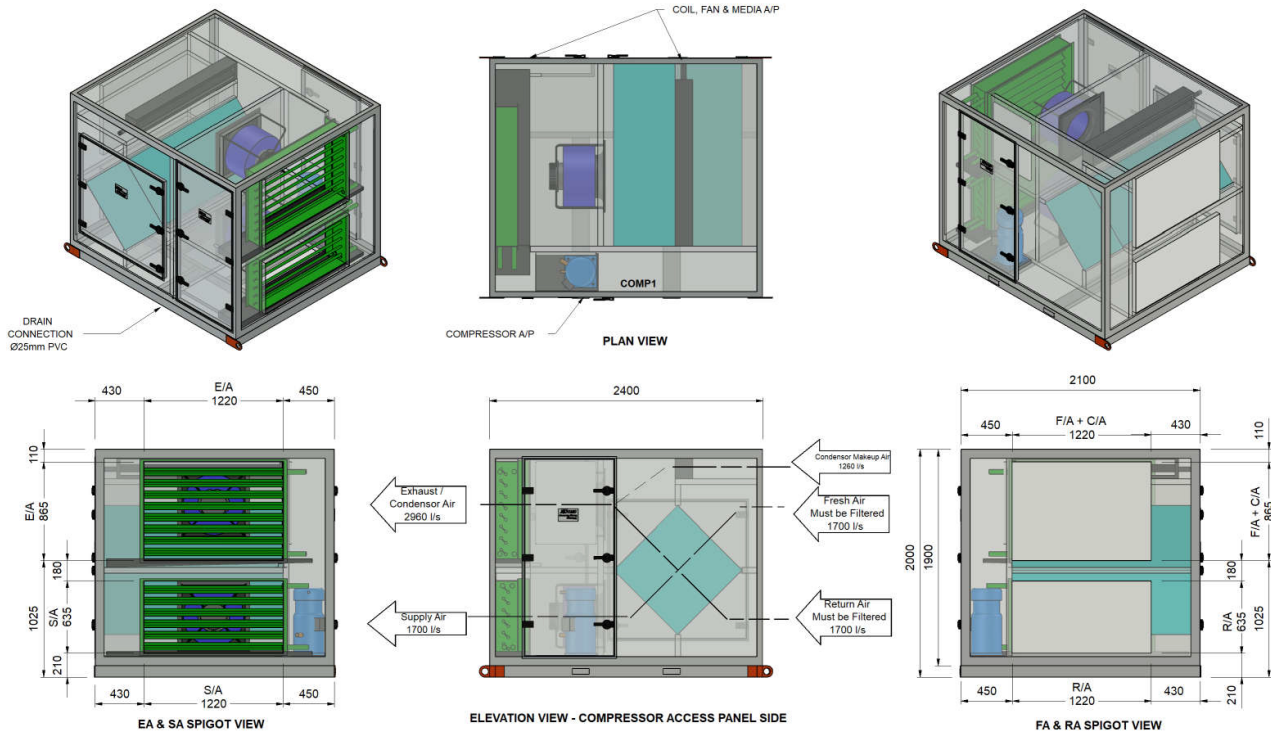
XCHANGE ERV

PACKAGED AIR CONDITIONING

XEP1700P3 TECHNICAL DATA



TECHNICAL DRAWINGS - XEP1700P3 STANDARD PAC UNIT



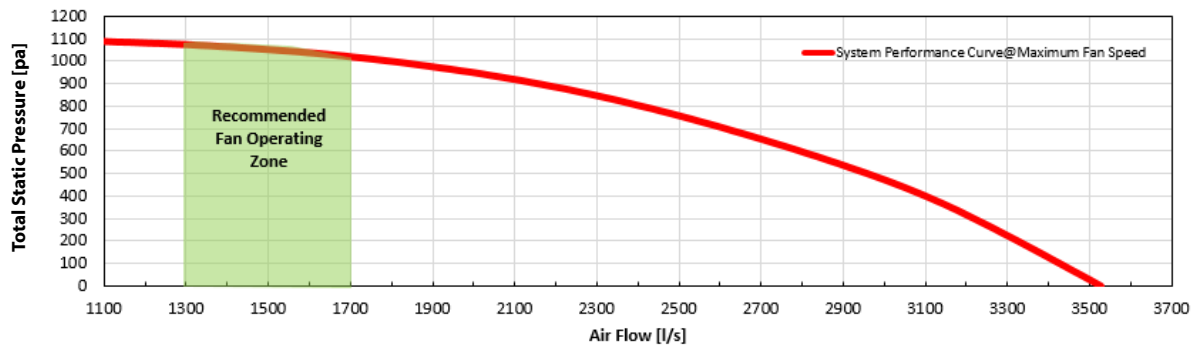
DIMENSIONS	
Height (mm)	2000
Width (mm)	2100
Length (mm)	2400
Weight (Kg)	1060
Access Clearance (mm)	1200 (Fan & Media Access)
Access Clearance (mm)	1200 (Electrical Controls)

DUCT SIZES	
Supply Air (mm)	1220 x 635
Return Air (mm)	1200 x 635
Fresh Air / Condensor Air Inlet	1220 x 865
Exhaust / Condensor Air	1220 x 865
Recommended Min F/A Filter Size	1200 x 600



XEP1700P3 TECHNICAL DATA

FAN PERFORMANCE DATA

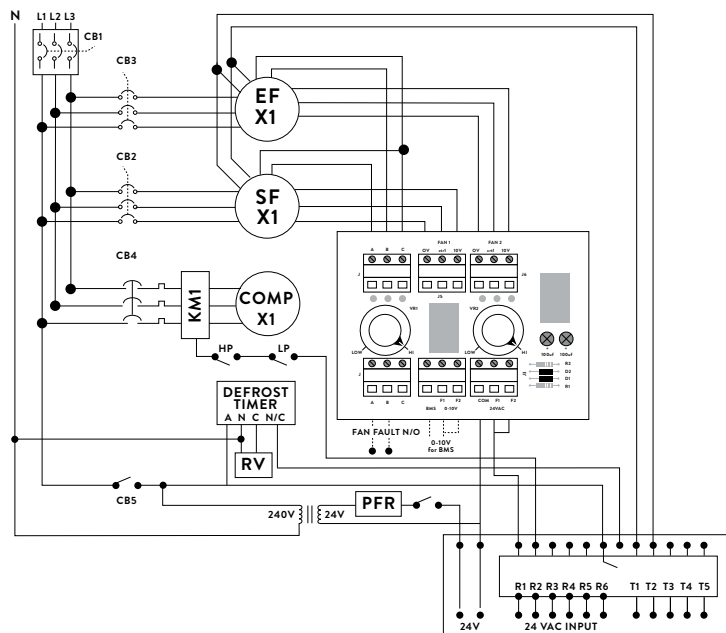


SOUND POWER LEVELS*

INLET RATING dB		OUTLET RATING dB	
63 Hz	69.8	63 Hz	71.8
125 Hz	77.9	125 Hz	79.5
250 Hz	76.4	250 Hz	77.1
500 Hz	73.1	500 Hz	78.4
1K Hz	71.3	1K Hz	79.9
2K Hz	70.6	2K Hz	76.6
4K Hz	67.5	4K Hz	72.3
8K Hz	64.4	8K Hz	68.2
LwA	77.4	LwA	83.6

* Sound Power Levels @ 650 Pa Total Static Pressure and 1700 l/s Total Air Volume measured at 1.0m distance from Fan Axis.

WIRING DIAGRAM



FAN CONTROLLER

0-10V DC BMS CONNECTION or
24V AC FAN SPEED VIA POTS

STANDARD INCLUSIONS

CB	CIRCUIT BREAKERS
R1	TIME DELAY RELAY
PFR	PHASE FAILURE RELAY
RV	REVERSING VALVE
HP	HIGH PRESSURE
LP	LOW PRESSURE
MCB	COMPRESSOR OVERLOAD
CCH	COMP. SUMP HEATER

OPTIONS

CSR	CURRENT SENSING RELAY (T1 T2)
T3 T4	0-10V DIGITAL COMP.

Designed and manufactured in Australia

Armcor Air Solutions

109-111 Northcorp Blvd, Broadmeadows 3047

P 1800 244 556 E sales@armcor.com.au

www.armcor.com.au

