

1 2 3 4 5 6 7 8

A

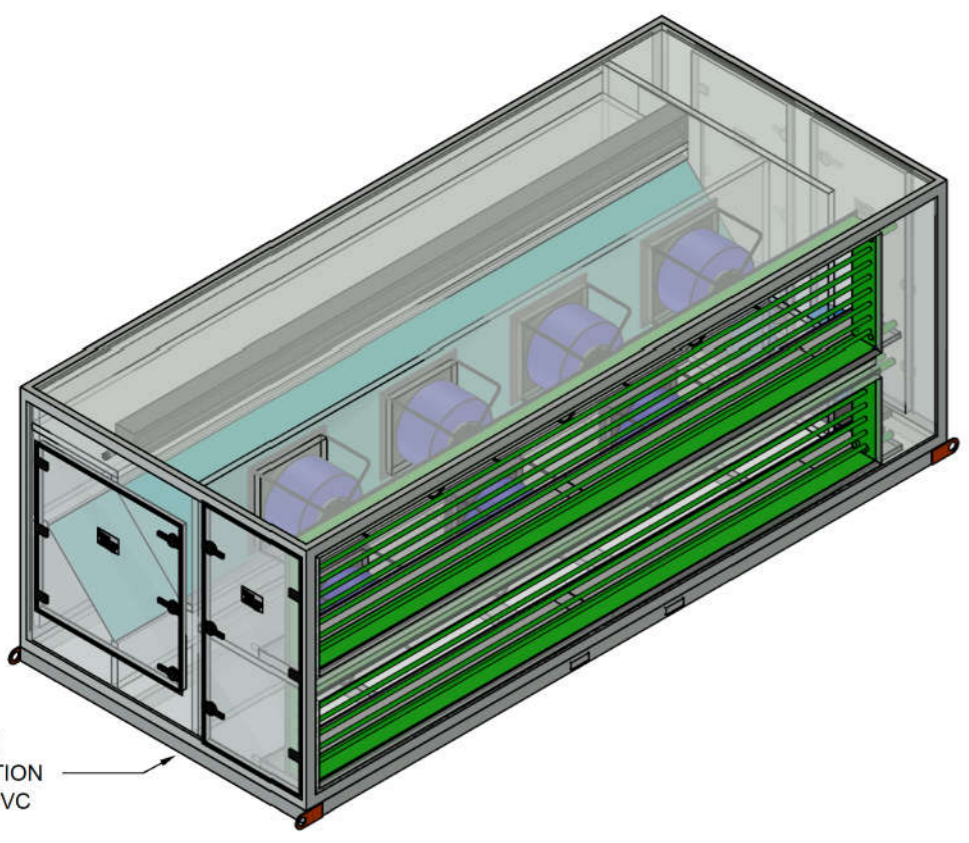
B

C

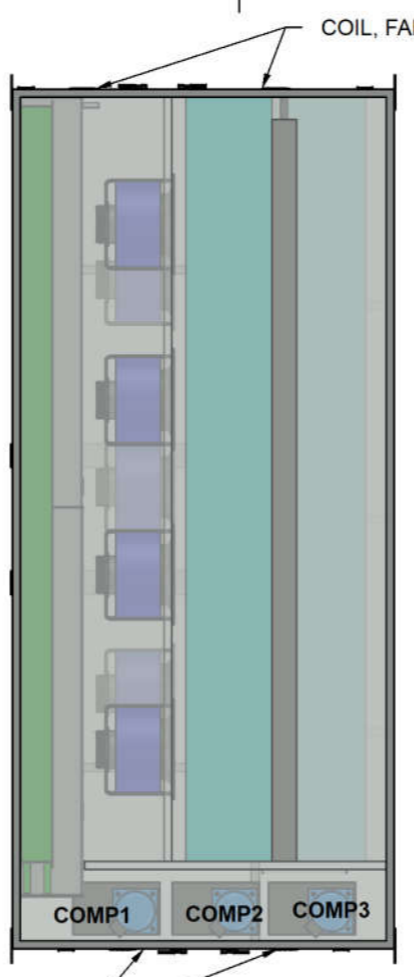
D

E

F



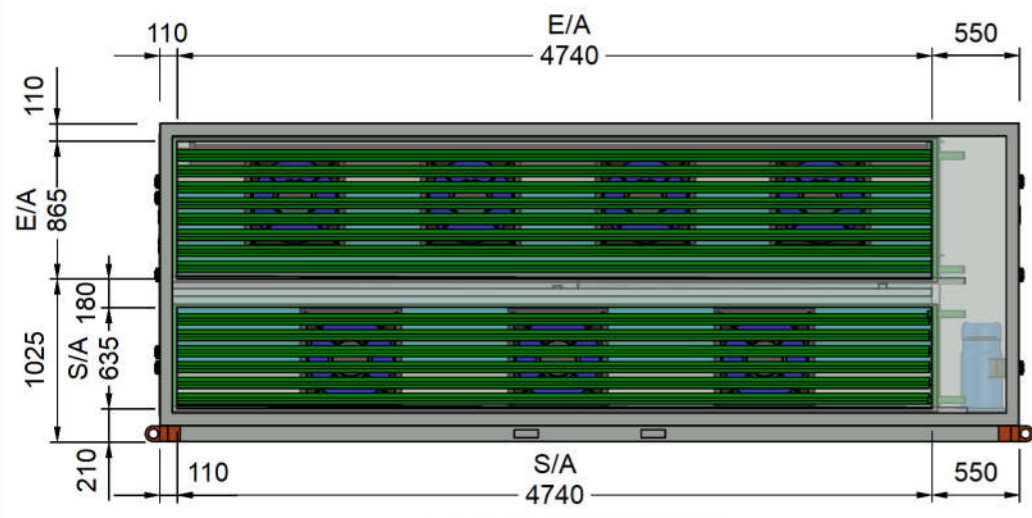
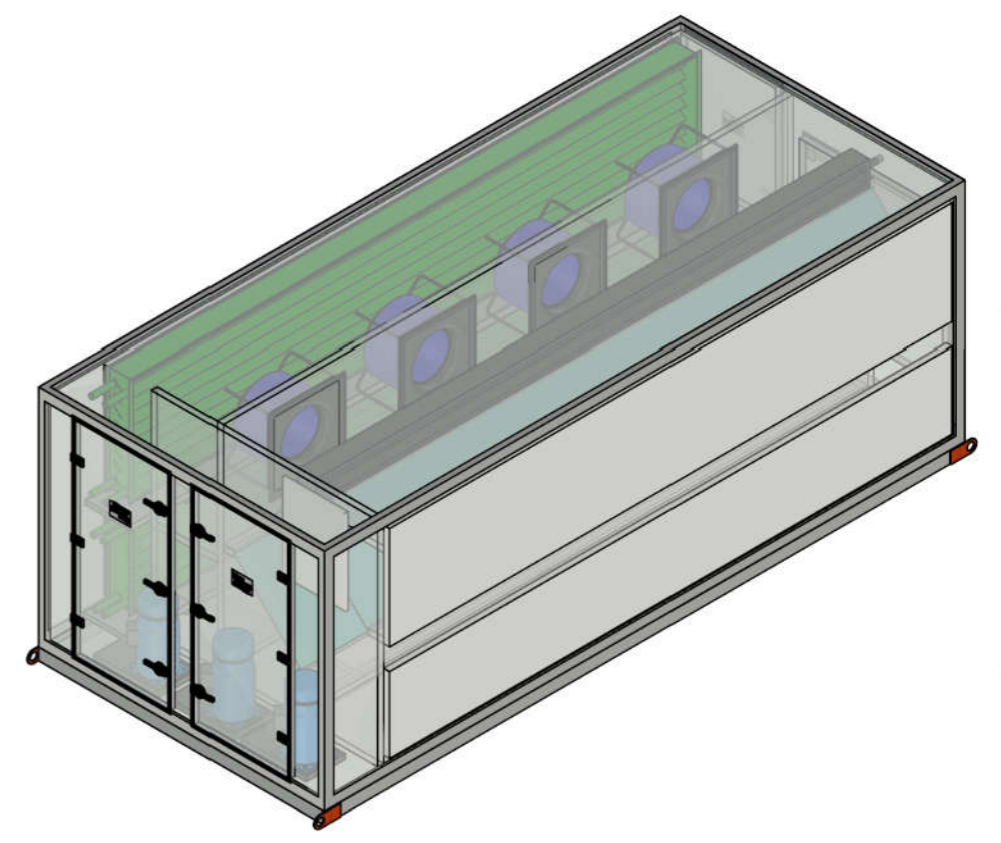
DRAIN CONNECTION
Ø25mm PVC



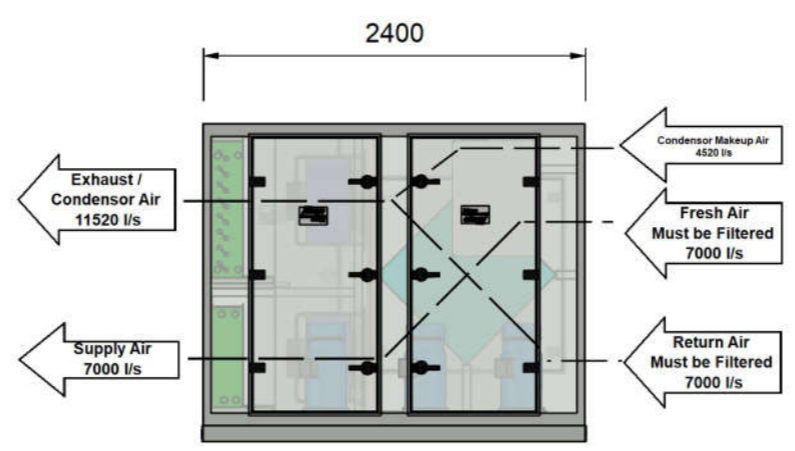
COIL, FAN & MEDIA A/P

COMP1 COMP2 COMP3

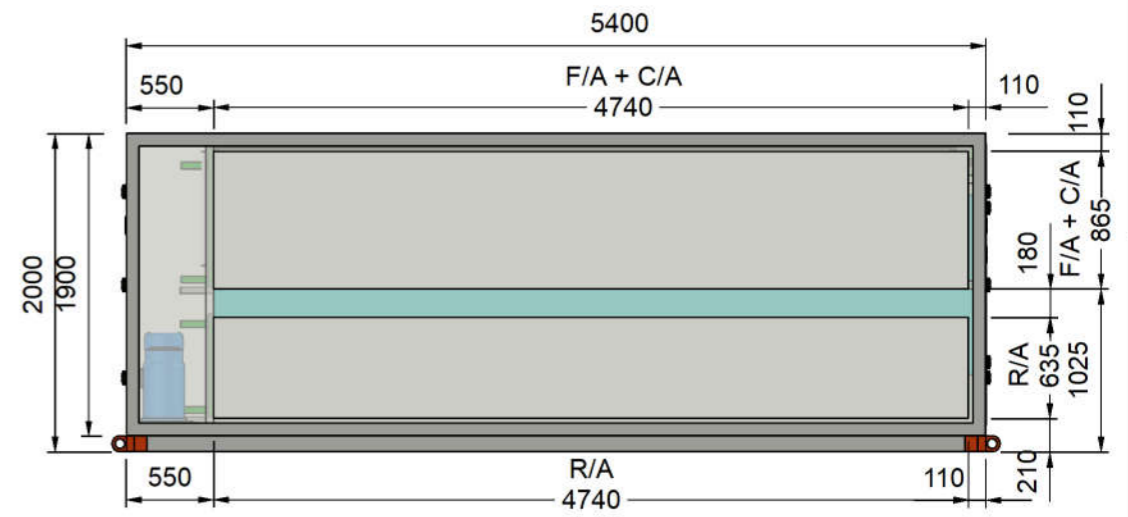
COMPRESSOR A/P PLAN VIEW



EA & SA SPIGOT VIEW



ELEVATION VIEW - COMPRESSOR ACCESS PANEL SIDE



FA & RA SPIGOT VIEW

Notes:
 - All Panels are 50mm Colorbond Panel Casing
 - Minimum 1200mm Clearance Required from Access Panel

	Scale	General Tolerances acc to :	Project.	
	A3	ISO 2768-1 medium	STANDARD DRAWING	
Armcor Air Solutions 109-111 Northcorp Blvd Broadmeadows VIC 3047 Phone 03 8301 9200 Web: www.armcor.com.au Email: sales@armcor.com.au		Drawn. P.Z	Status.	Date. 23/02/2018 9:47 AM
		Title. EXCHANGE ERV - PAC	Sheet 1 of 2	Rev. A
		Model. Model XEP7000P3	SN.	

1 2 3 4 5 6 7 8