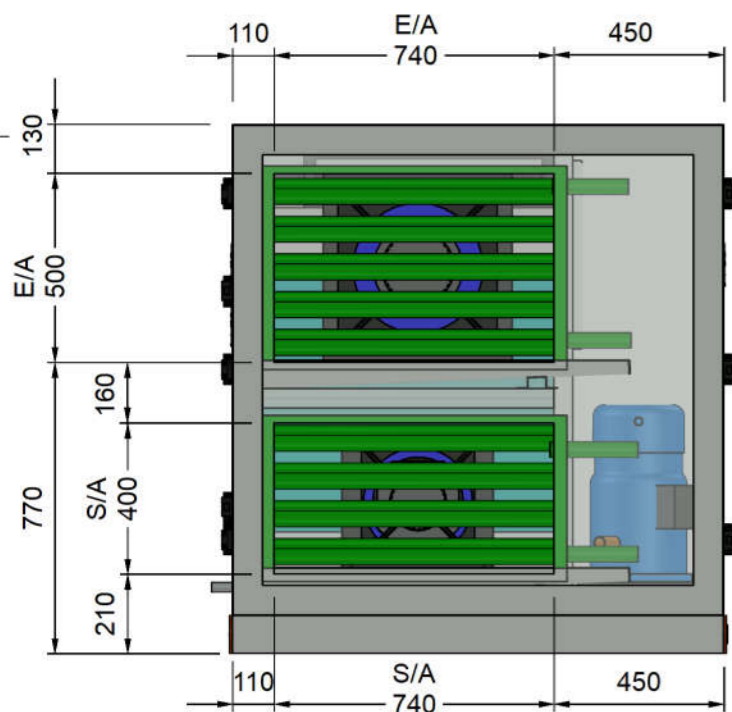
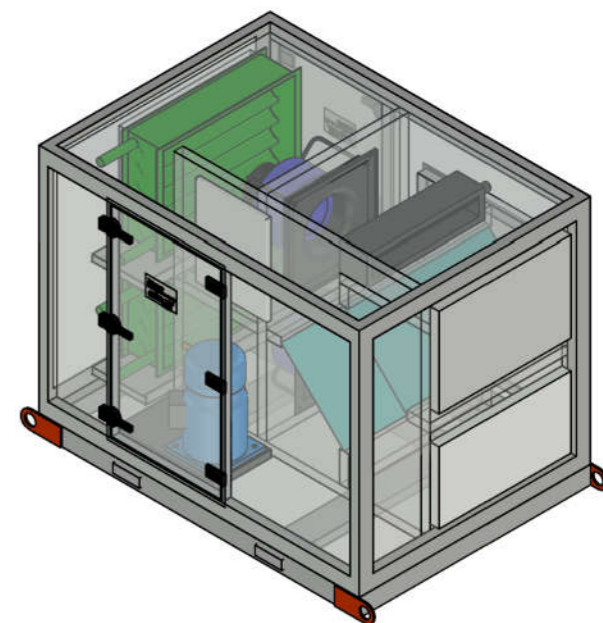
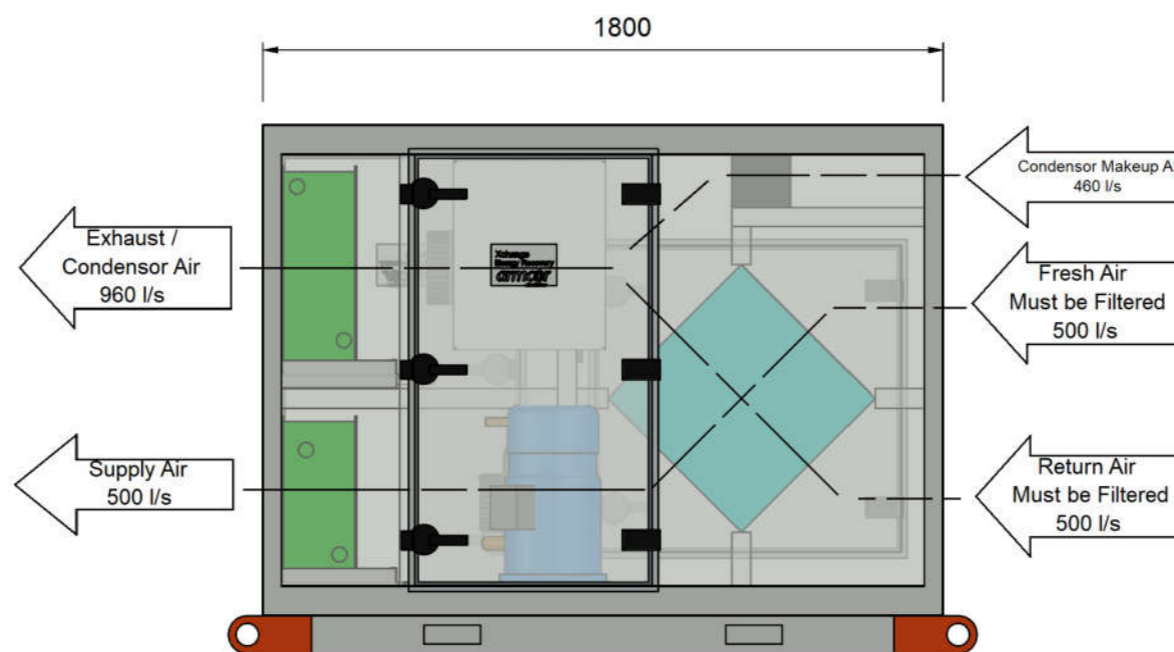


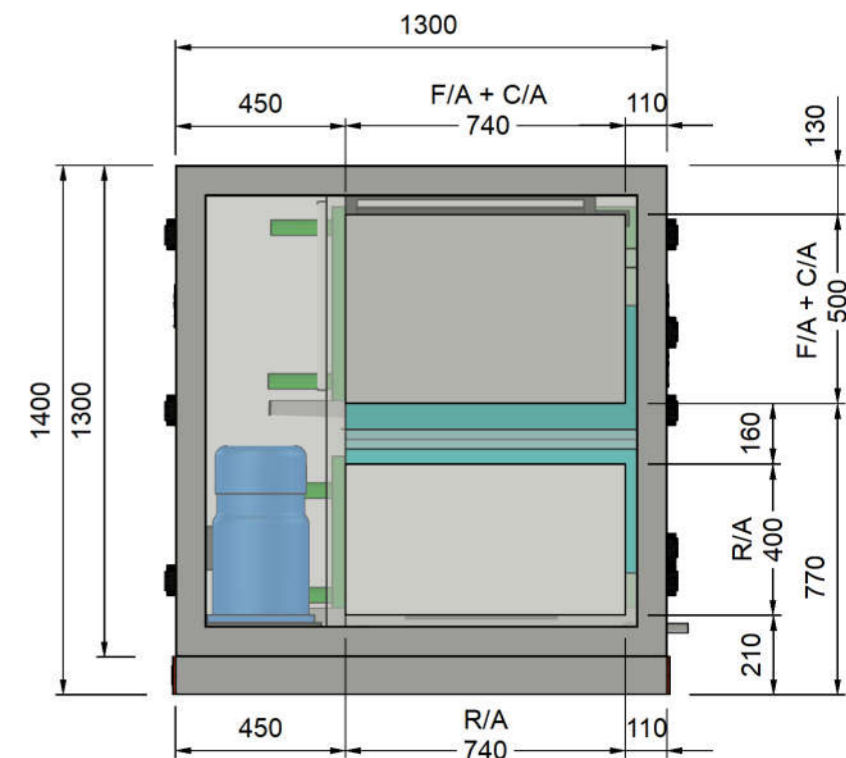
PLAN VIEW



EA & SA SPIGOT VIEW



ELEVATION VIEW - COMPRESSOR ACCESS PANEL SIDE



FA & RA SPIGOT VIEW

- Notes:**
- All Panels are 50mm Colorbond Panel Casing
  - Minimum 1200mm Clearance Required from Access Panel

	Scale	General Tolerances acc to :	Project.		
	A3	ISO 2768-1 medium	STANDARD DRAWING		
	Armcor Air Solutions 109-111 Northcorp Blvd Broadmeadows VIC 3047 Phone 03 8301 9200 Web: www.armcor.com.au Email: sales@armcor.com.au		Drawn. P.Z	Status.	Date. 26/02/2018 2:51 PM
			Title. EXCHANGE ERV - PAC	Sheet 1 of 2	Rev. A
		Model. Model XEP500P3		SN.	