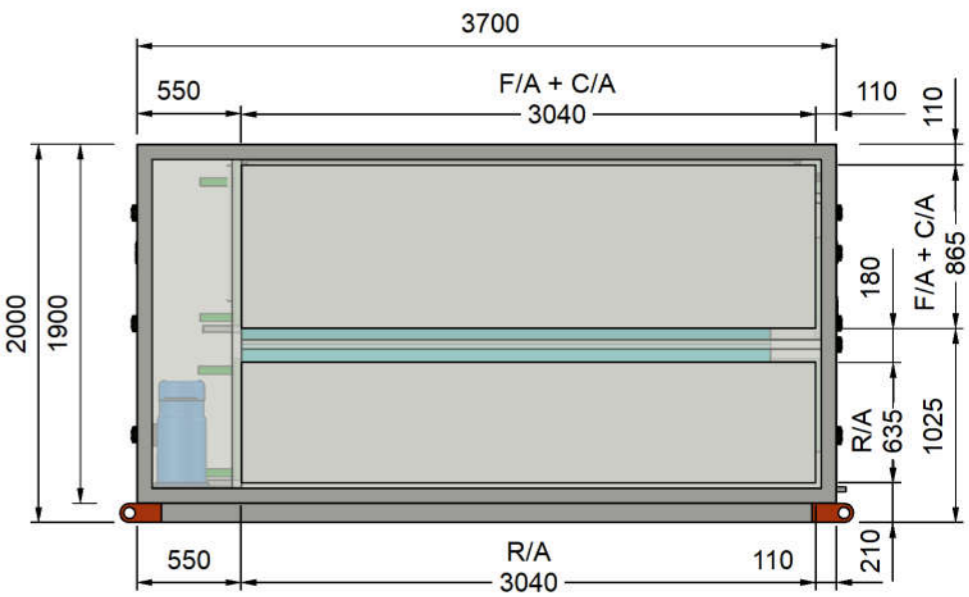
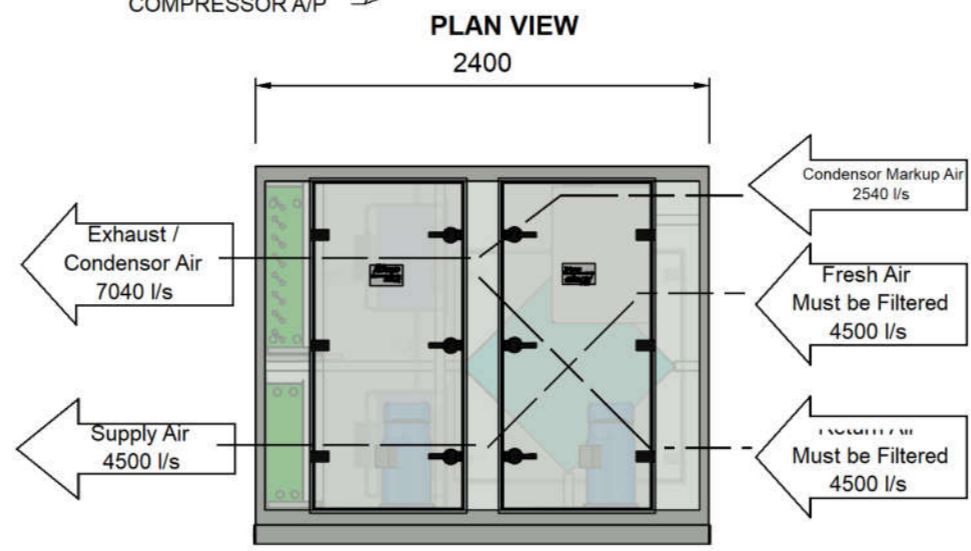
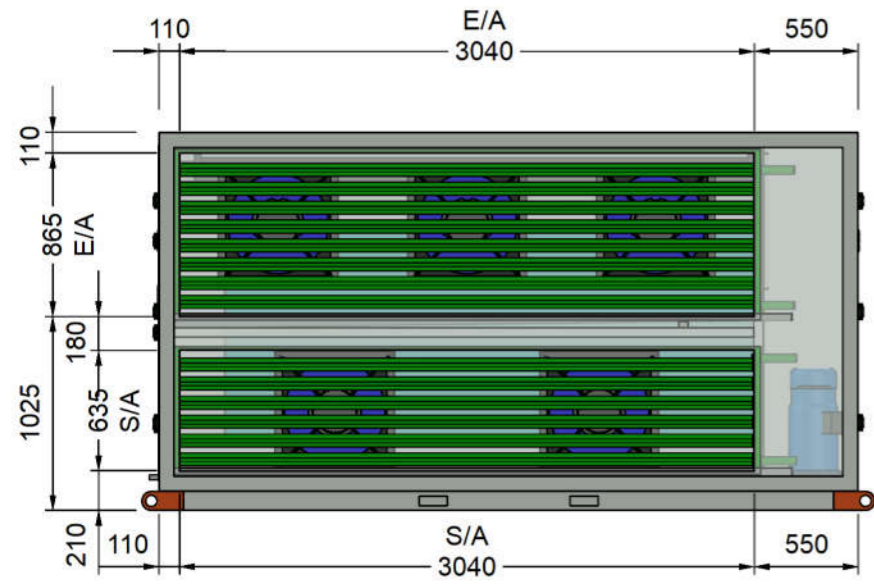
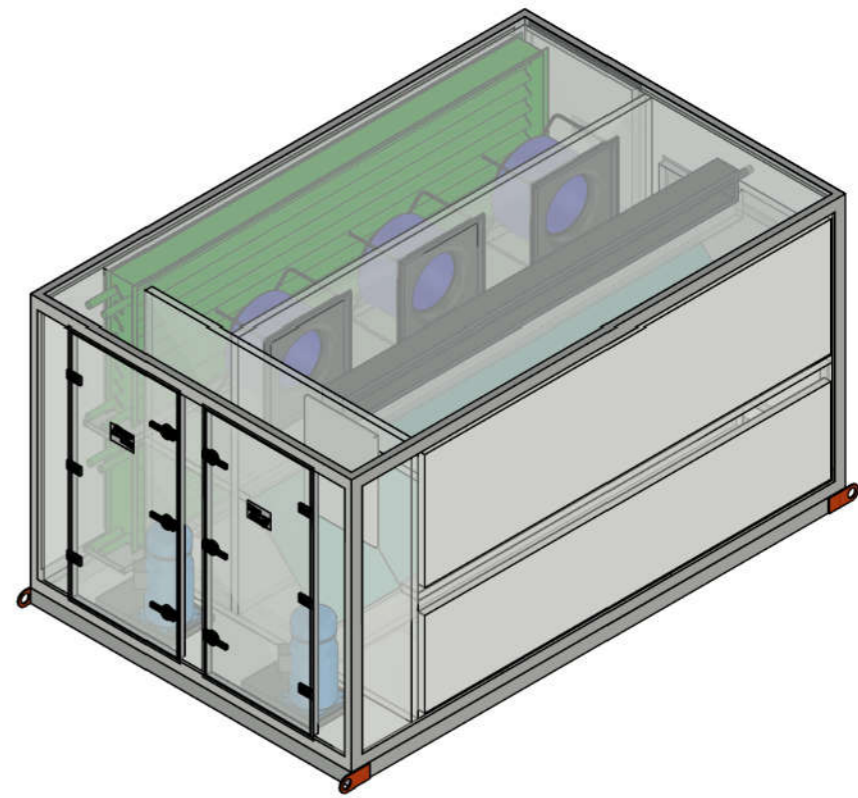
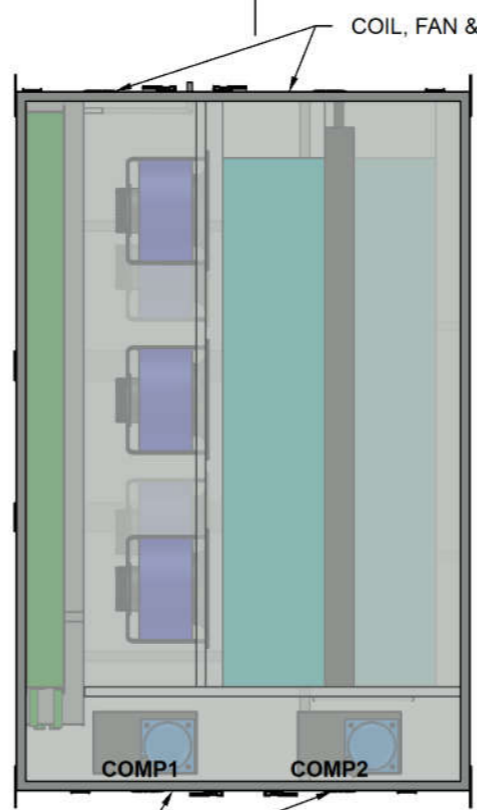
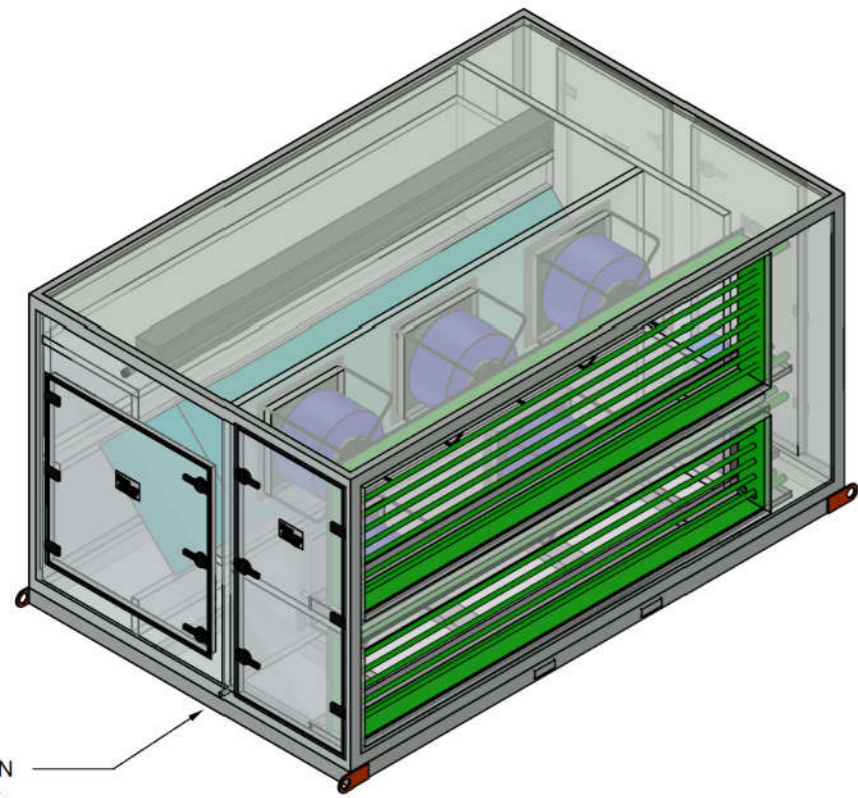


1 2 3 4 5 6 7 8

A B C D E F



**Notes:**  
 - All Panels are 50mm Colorbond Panel Casing  
 - Minimum 1200mm Clearance Required from Access Panel

	Scale	General Tolerances acc to :	Project. <b>STANDARD DRAWING</b>			
	A3	ISO 2768-1 medium	Drawn. P.Z	Status.	Date. 23/02/2018 9:19 AM	
	Armcor Air Solutions 109-111 Northcorp Blvd Broadmeadows VIC 3047 Phone 03 8301 9200 Web: www.armcor.com.au Email: sales@armcor.com.au			Title. <b>EXCHANGE ERV - PAC</b>	Sheet 1 of 2	Rev. A
				Model. <b>Model XEP4500P3</b>	SN.	

1 2 3 4 5 6 7 8