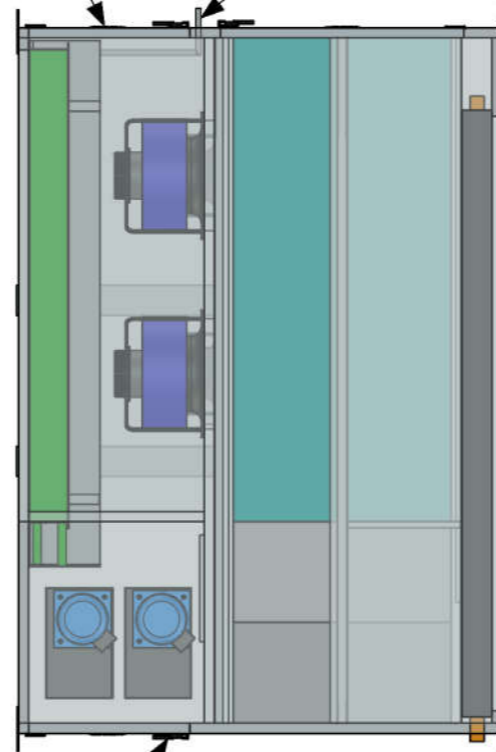


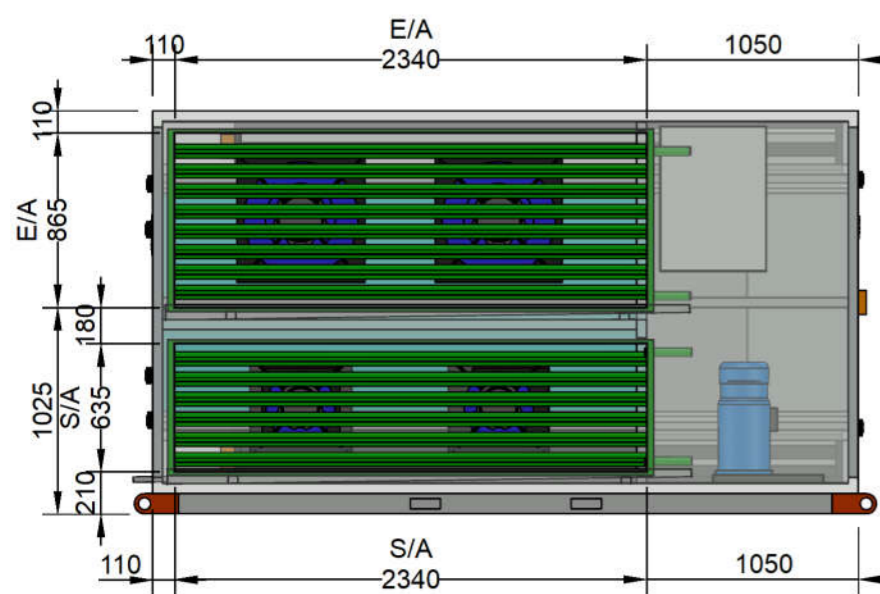
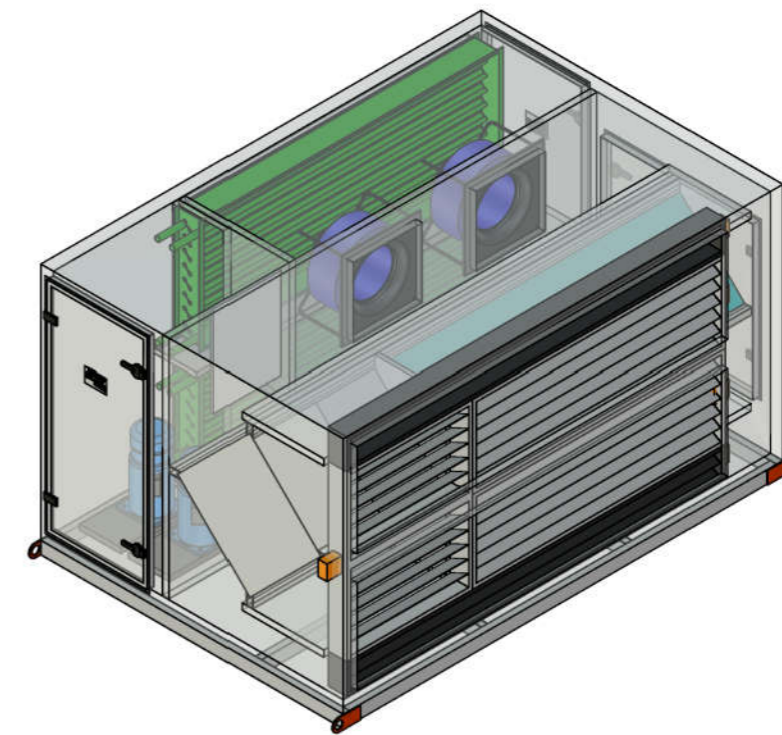
FAN ACCESS ON THIS SIDE

DRAIN CONNECTION
Ø25 PVC PIPE

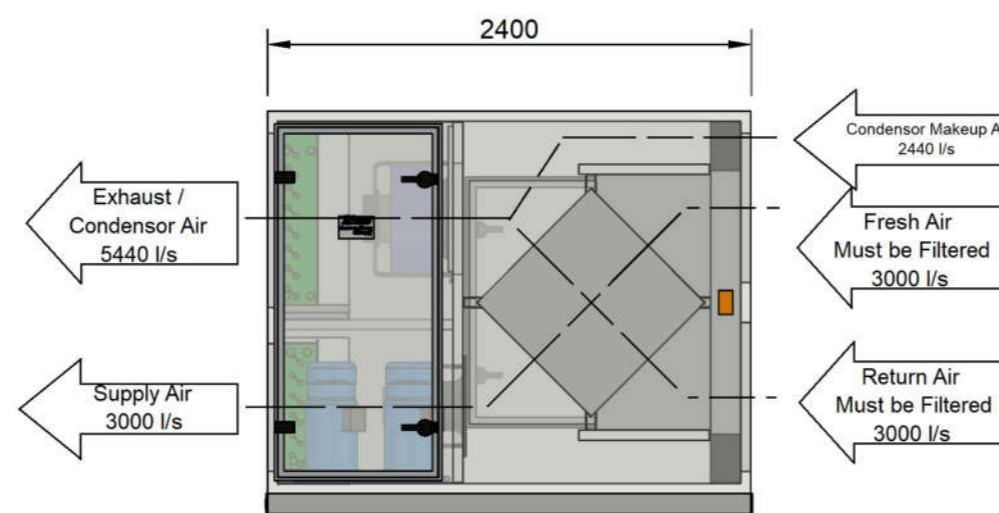


PLAN VIEW

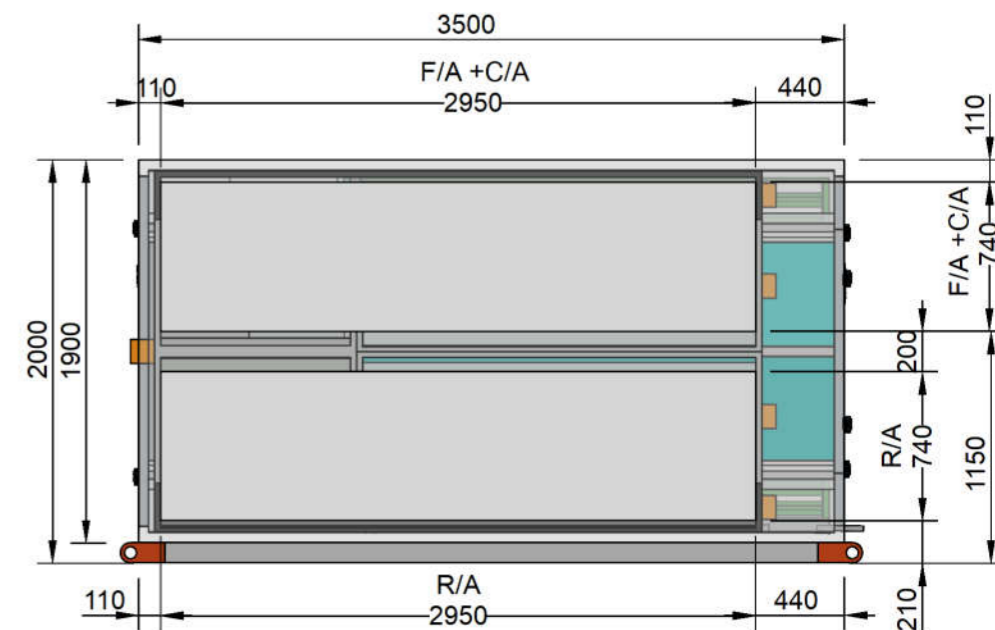
COMPRESSOR ACCESS PANEL



E/A & S/A SPIGOTS



ELEVATION VIEW - COMPRESSOR ACCESS PANEL SIDE



F/A & R/A SPIGOTS

- Notes:**
- All Panels are 50mm Colorbond Panel Casing
 - Minimum 1200mm Clearance Required from Access Panel

	Scale	General Tolerances acc to : ISO 2768-1 medium	Project. STANDARD DRAWING		
	Armcor Air Solutions 109-111 Northcorp Blvd Broadmeadows VIC 3047 Phone 03 8301 9200 Web: www.armcor.com.au Email: sales@armcor.com.au		Drawn. P.Z	Status. In Design	Date. 4/10/2018 9:06 AM
			Title. PACKAGED AIR CONDITIONING SYSTEM	Rev. A	Sheet 3 of 12
			Model. XEP3000P3EC	SN.	