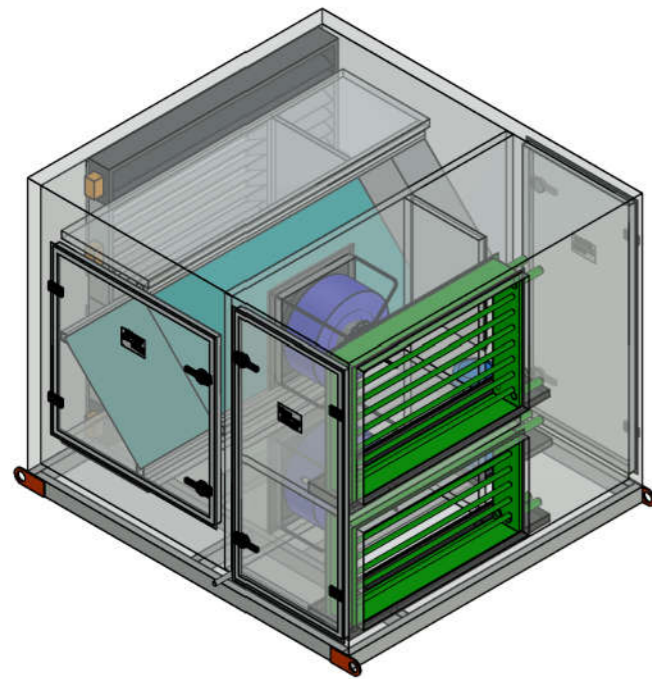


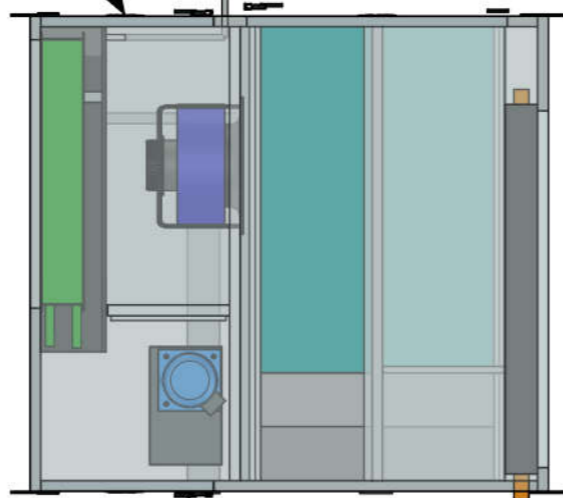
1 2 3 4 5 6 7 8

A



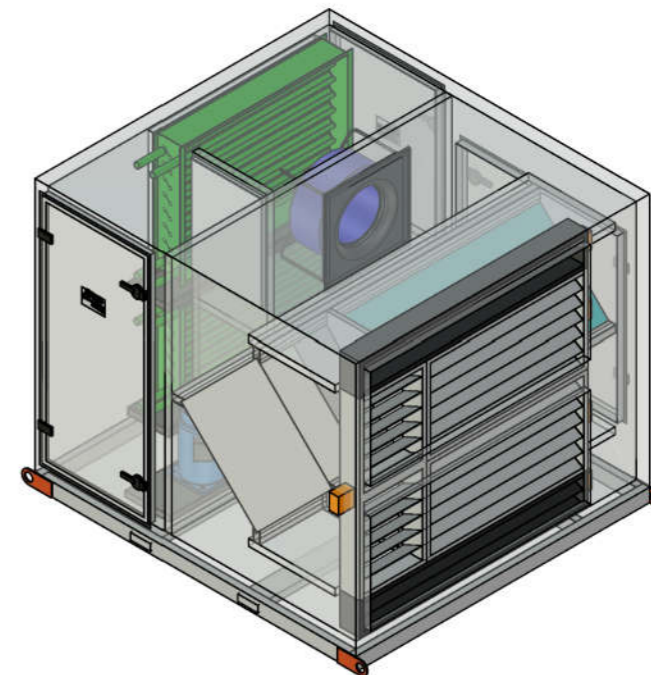
FAN ACCESS ON THIS SIDE

DRAIN CONNECTION
Ø25 PVC PIPE



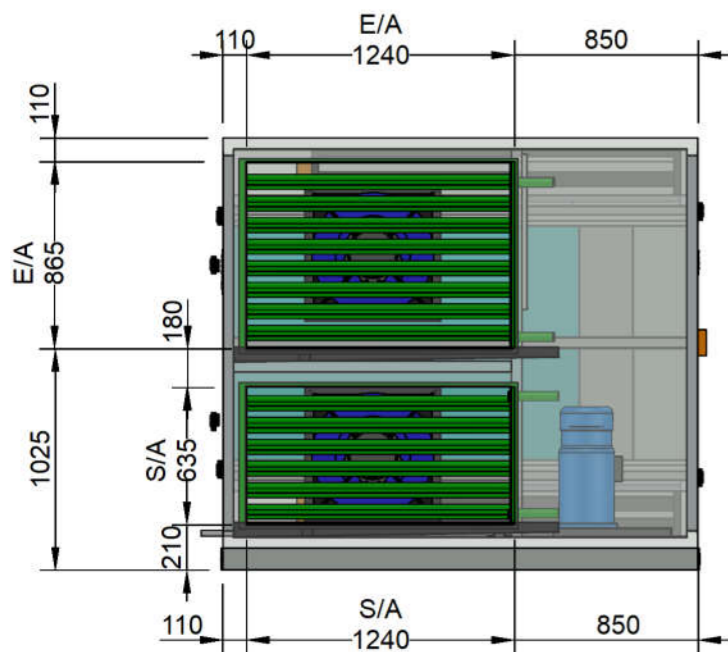
COMPRESSOR ACCESS PANEL
ON THIS SIDE

PLAN VIEW



B

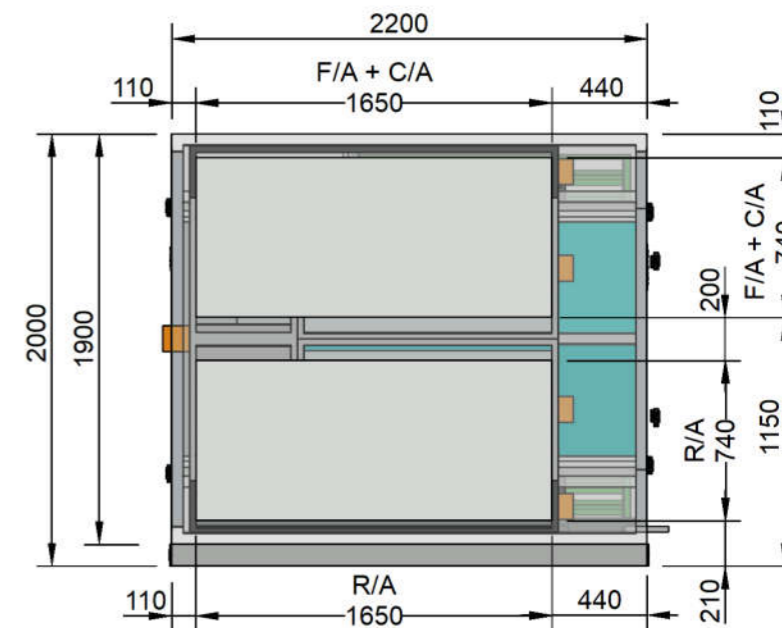
C



E/A & S/A SPIGOTS



ELEVATION VIEW - COMPRESSOR ACCESS PANEL SIDE



F/A & R/A SPIGOTS

D

E

Notes:

- All Panels are 50mm Colorbond Panel Casing
- Minimum 1200mm Clearance Required from Access Panel

F

	Scale	General Tolerances acc to : ISO 2768-1 medium	Project. STANDARD DRAWING		
	Armcor Air Solutions 109-111 Northcorp Blvd Broadmeadows VIC 3047 Phone 03 8301 9200 Web: www.armcor.com.au Email: sales@armcor.com.au		Drawn. P.Z	Status. In Design	Date. 21/09/2018 2:49 PM
			Title. PACKAGED AIR CONDITIONING SYSTEM	Rev. A	Sheet 1 of 2
			Model. XEP1700P3EC	SN.	

1 2 3 4 5 6 7 8