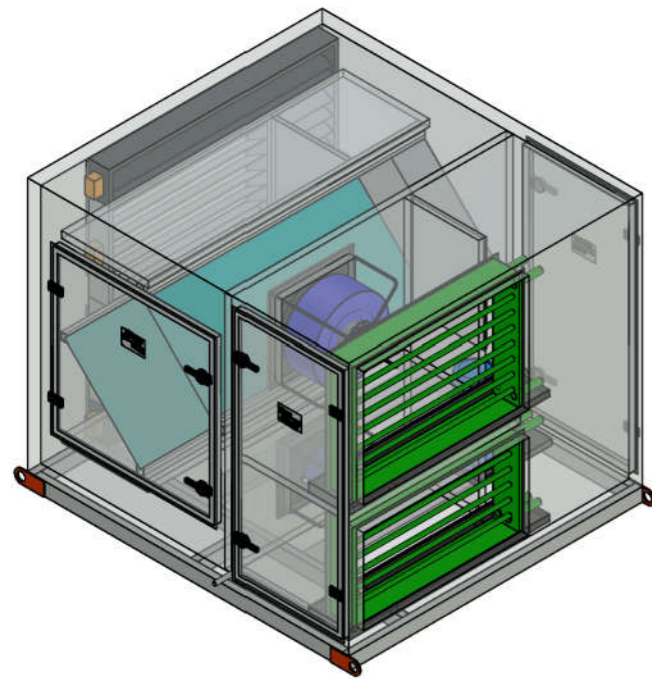


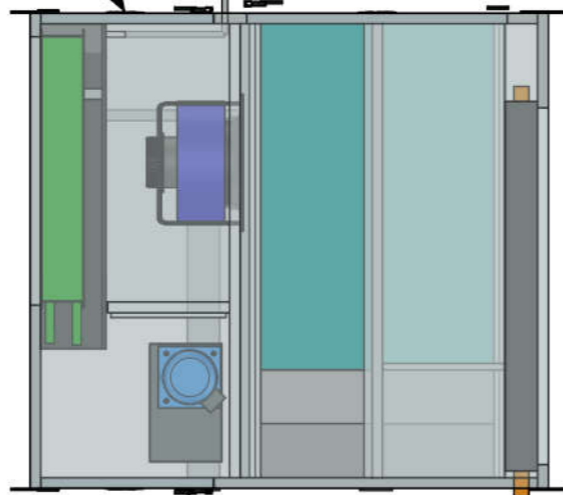
1 2 3 4 5 6 7 8

A



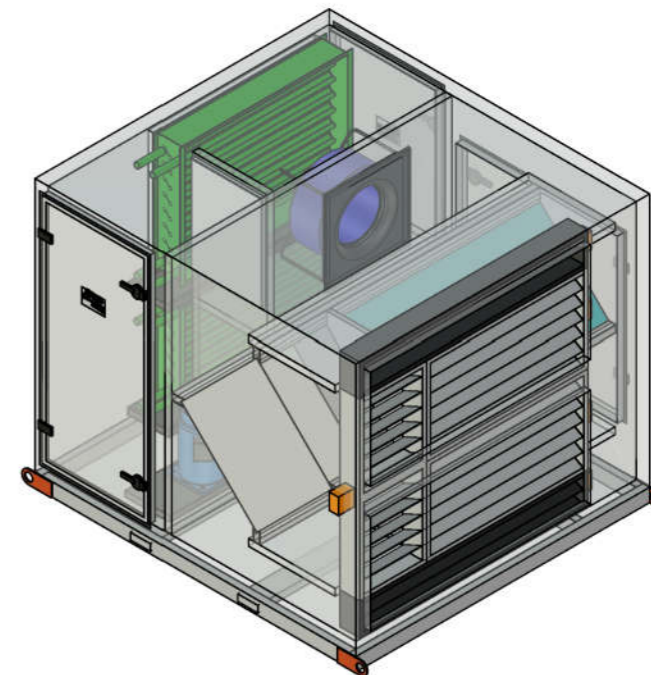
FAN ACCESS ON THIS SIDE

DRAIN CONNECTION  
Ø25 PVC PIPE



COMPRESSOR ACCESS PANEL  
ON THIS SIDE

PLAN VIEW



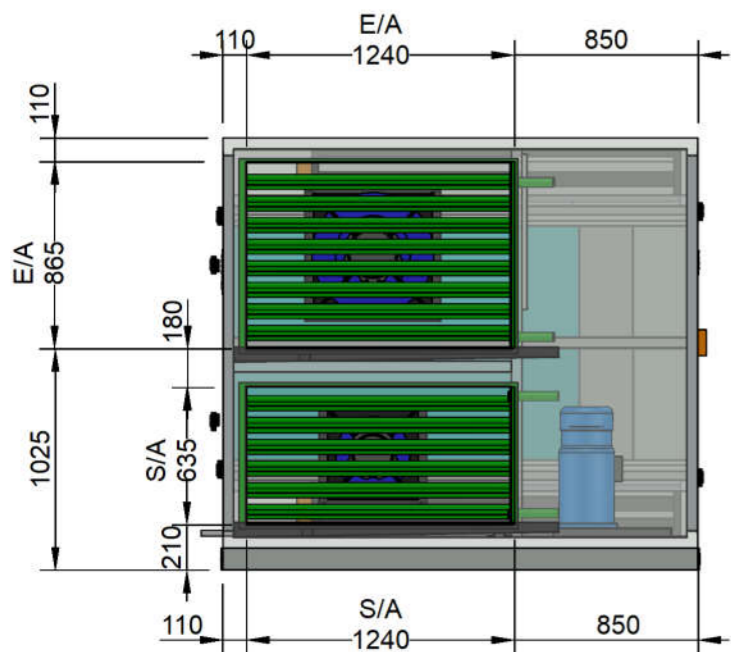
A

B

B

C

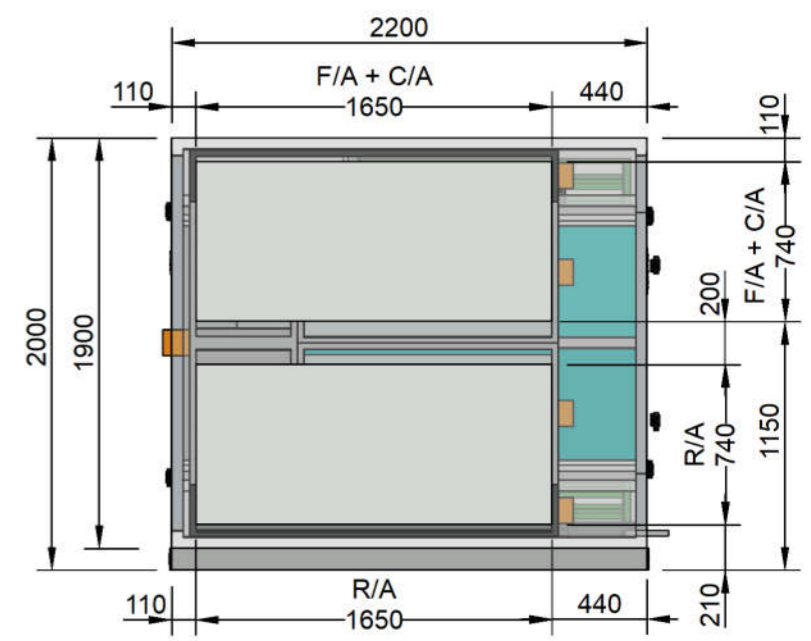
C



E/A & S/A SPIGOTS



ELEVATION VIEW - COMPRESSOR ACCESS PANEL SIDE



F/A & R/A SPIGOTS

B

C

D

E

**Notes:**  
 - All Panels are 50mm Colorbond Panel Casing  
 - Minimum 1200mm Clearance Required from Access Panel

F

F

	Scale	General Tolerances acc to : ISO 2768-1 medium	Project. <b>STANDARD DRAWING</b>		
	Armcor Air Solutions 109-111 Northcorp Blvd Broadmeadows VIC 3047 Phone 03 8301 9200 Web: www.armcor.com.au Email: sales@armcor.com.au		Drawn. P.Z	Status. In Design	Date. 4/10/2018 8:53 AM
	Title. <b>PACKAGED AIR CONDITIONING SYSTEM</b> Model. <b>XEP1500P3EC</b>			Rev. A	Sheet 3 of 12
			SN.		

1 2 3 4 5 6 7 8