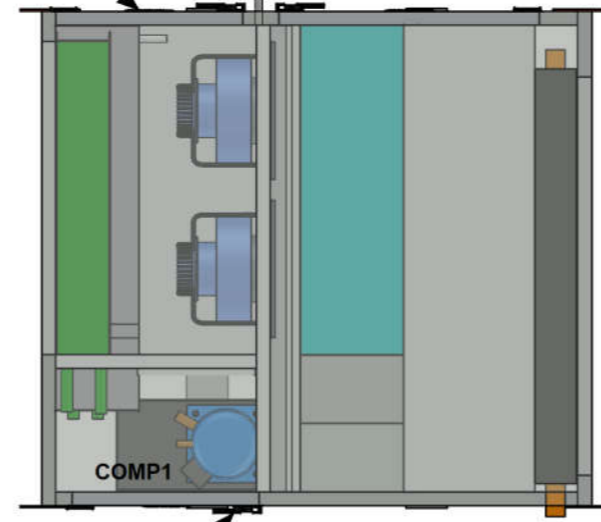


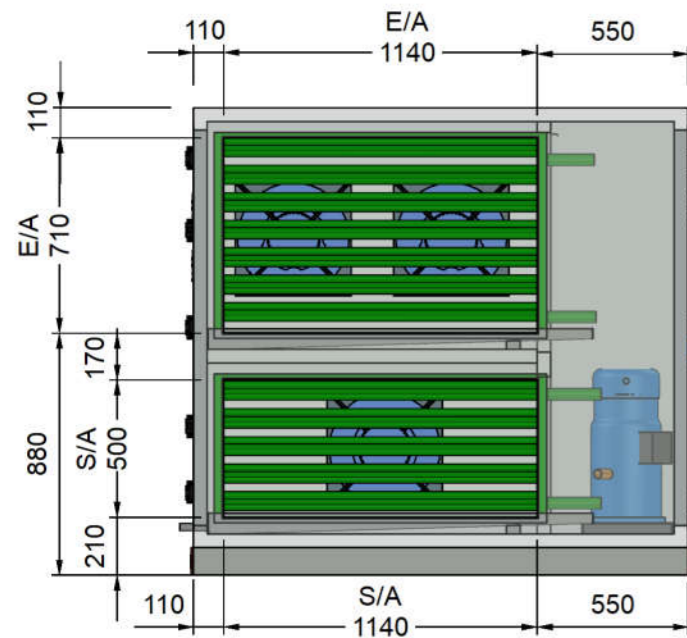
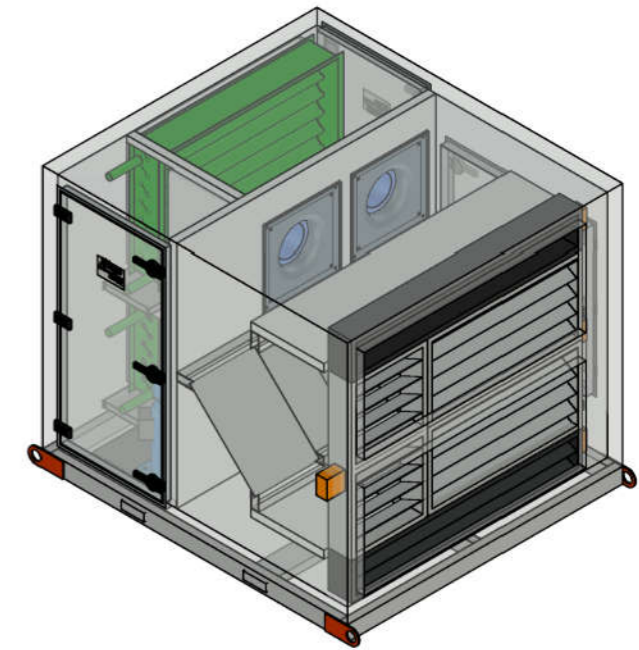
FAN ACCESS ON THIS SIDE

DRAIN CONNECTION
Ø25mm PVC

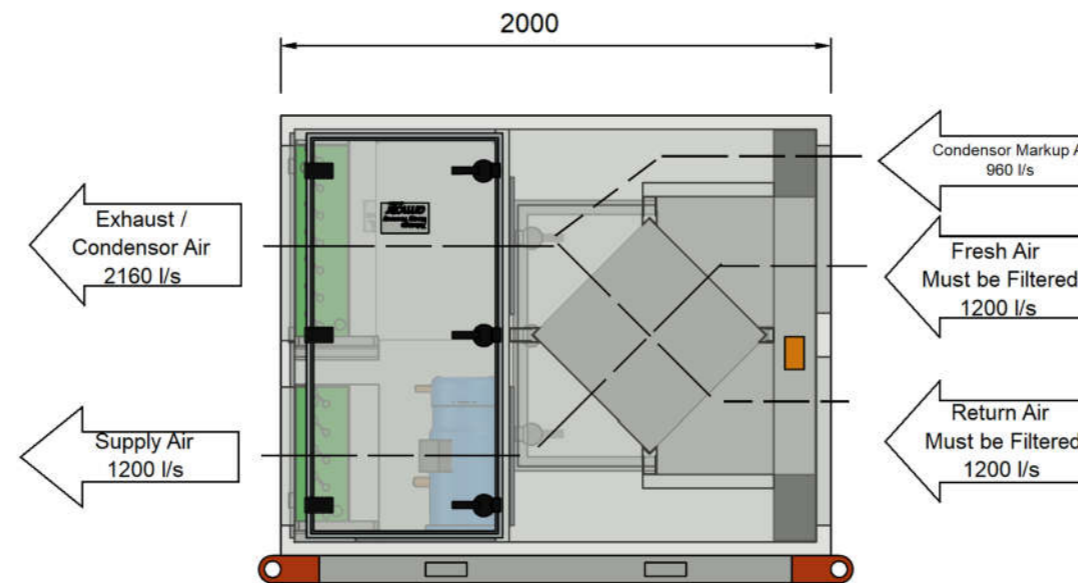


COMPRESSOR ACCESS PANEL ON THIS SIDE

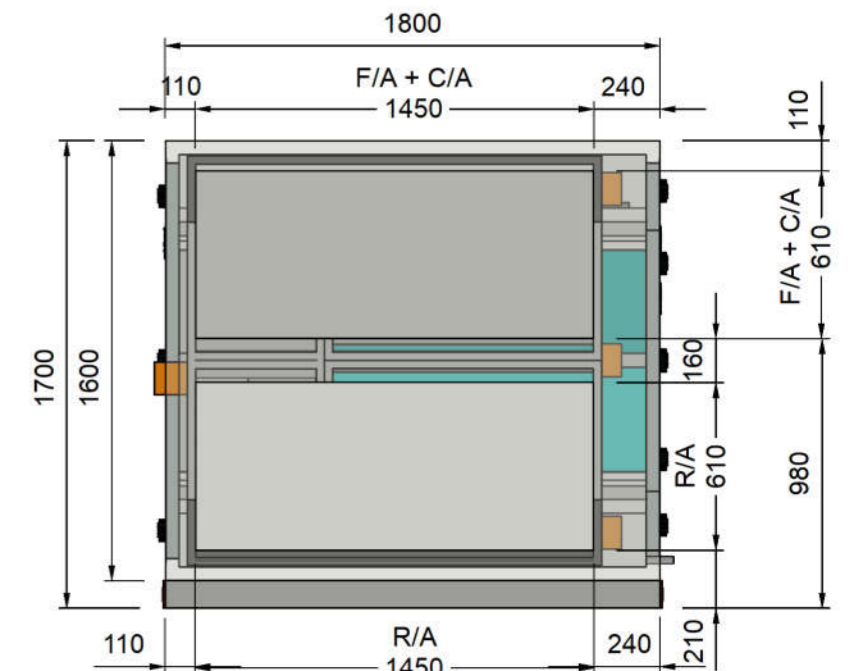
PLAN VIEW



EA & SA SPIGOT VIEW



ELEVATION VIEW - COMPRESSOR ACCESS PANEL SIDE



FA & RA SPIGOT VIEW

ENG Notes:

- All Panels are 50mm Colourbond Panel Casing

	Scale	General Tolerances acc to :	Project. STANDARD DRAWING		
	A3	ISO 2768-1 medium	Drawn. P.Z	Status. In Design	Date. 21/09/2018 2:25 PM
Armcor Air Solutions 109-111 Northcorp Blvd Broadmeadows VIC 3047 Phone 03 8301 9200 Web: www.armcor.com.au Email: sales@armcor.com.au			Title. EXCHANGE ERV - PAC	Sheet 1 of 2	Rev. A
			Model. Model XEP1200P3EC	SN.	