



XEM900P3 TECHNICAL DATA

TECHNICAL SPECIFICATIONS

NOMINAL AIRFLOW

Supply Air (l/sec)	600 - 900
Exhaust Air (l/sec)	600 - 900
Return Air (l/sec)	600 - 900
Fresh Air (l/sec)	600 - 900

SUPPLY FAN

Fan Type	EC Plug
Fan Motor	EC Motor
Motor Power (Watts)	1900
External Static (Pa)	200
Fan Diameter	355
Number of Fans	1

EXHAUST FAN

Fan Type	EC Plug
Fan Motor	EC Motor
Motor Power (Watts)	1900
External Static (Pa)	200
Fan Diameter	355
Number of Fans	1

ELECTRICAL

Supply Fan FLA (A)	2.6 - 2.6 - 2.6
Exhaust Fan FLA (A)	2.6 - 2.6 - 2.6
Nominal Run Current	5.2 - 5.2 - 5.2
Volt/Phase	415V/3ph
Switchboard	Yes
Circuit Breakers	Yes

CONTROLS

0-10V DC (Fan Control)	Included
24V AC Fan Enable Relay	Included
Fan Fault Signal 24V Output	Included
Fan Run Status	Available

HEAT EXCHANGER

*RATED AT STANDARD CONDITIONS OF
35.5° db/24.0° wb

Enthalpy Media	Standard
Sensible Media	Available
Module Size (mm)	600 x 600 x 400D
Number of Modules	2
Face Velocity (m/sec)	2.1
Pressure Drop (Pa)	154.3
Kw Recovered (Cooling)*	16.7
Kw Recovered (Heating)*	17.4

CABINET CONSTRUCTION

Casing	50mm Panel
Finish	Surfmist Colorbond
Insulation Value	R2.0
Side Access Panels	Included

OPTIONS

Chilled Water/ Hot Water Coil	Available (Model XEC900)
Economy Cycle	Available
Return Air Bypass	Available
Air Filters	Available

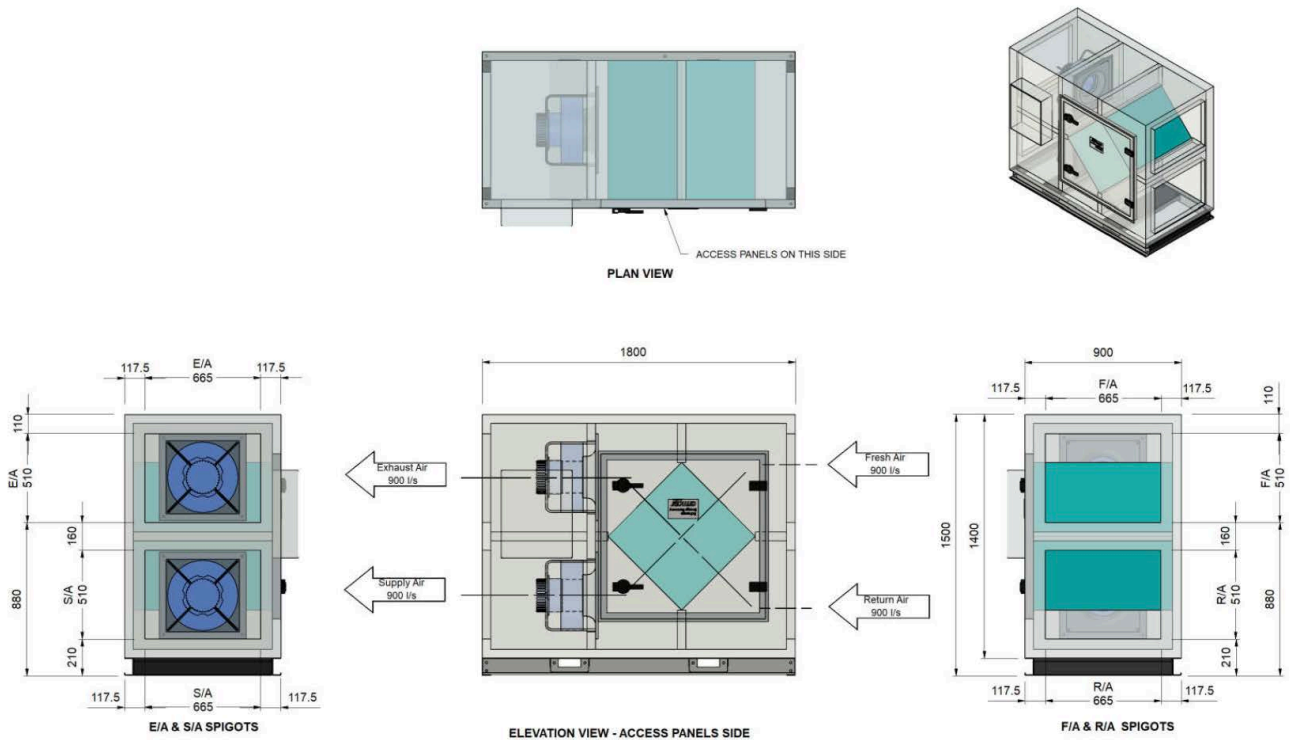
XCHANGE ERV

EXTERNAL MOUNT

XEM900P3 TECHNICAL DATA



TECHNICAL DRAWINGS - XEM900P3



DIMENSIONS

Height (mm)	1500
Width (mm)	900
Length (mm)	1800
Weight (Kg)	375
Access Clearance (mm)	1200 (Fan & Media Access)
Access Clearance (mm)	900 (Electrical Controls)

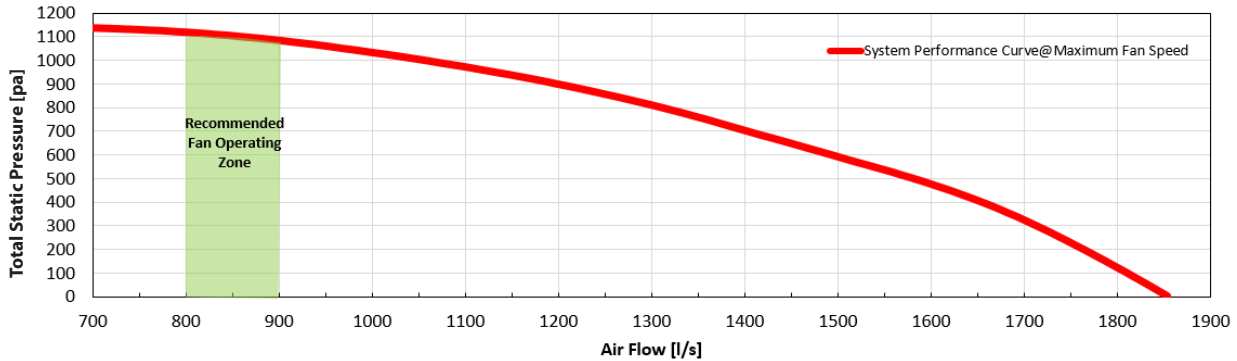
DUCT SIZES

Exhaust Air (mm)	665 x 510
Return Air (mm)	665 x 510
Supply Air (mm)	665 x 510
Fresh Air (mm)	665 x 510



XEM900P3 TECHNICAL DATA

FAN PERFORMANCE DATA

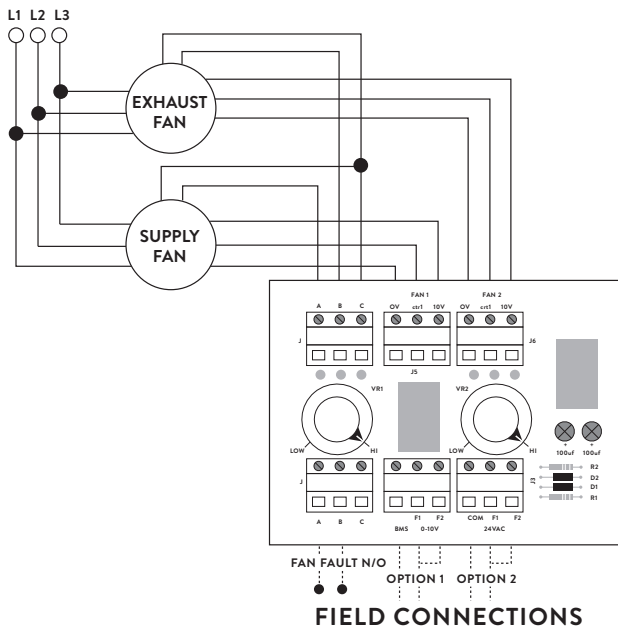


SOUND POWER LEVELS*

INLET RATING dB		OUTLET RATING dB	
63 Hz	63.7	63 Hz	66
125 Hz	63.5	125 Hz	65.1
250 Hz	71.9	250 Hz	74.2
500 Hz	71.8	500 Hz	74.5
1K Hz	66.4	1K Hz	76.3
2K Hz	67.3	2K Hz	73
4K Hz	64.7	4K Hz	69.2
8K Hz	60.5	8K Hz	64.3
LwA	74.1	LwA	79.9

* Sound Power Levels @ 500 Pa Total Static Pressure and 900 l/s Total Air Volume.

WIRING DIAGRAM



OPTION 1

0-10V DC CONTROL VIA CONNECTION TO BMS

OPTION 2

24V AC ENABLE REGULATE FAN SPEED VIA POTS

Do not turn main power on/off to enable/disable the unit operation. This must be done through the control circuit.

Designed and manufactured in Australia

Armcor Air Solutions

109-111 Northcorp Blvd, Broadmeadows 3047

P 1800 244 556 E sales@armcor.com.au

www.armcor.com.au

