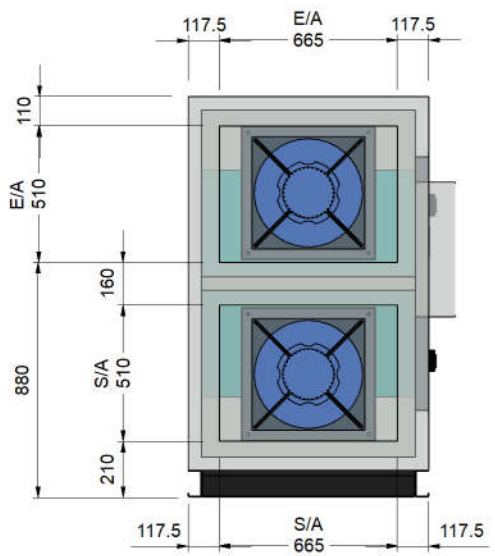
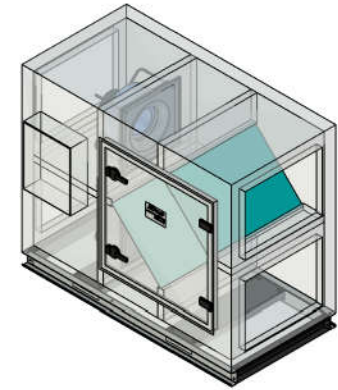
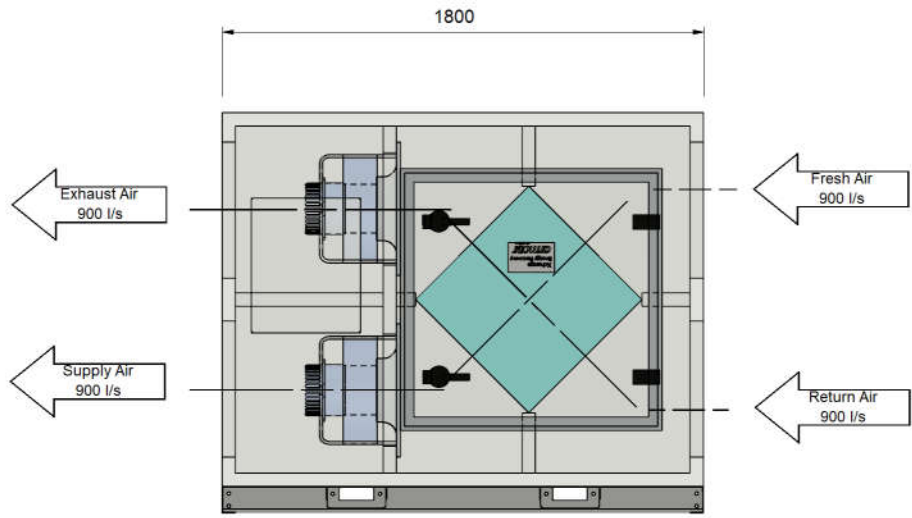


ACCESS PANELS ON THIS SIDE

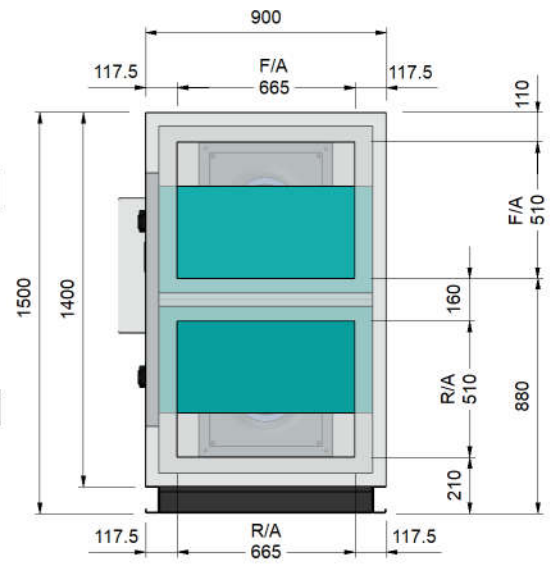
PLAN VIEW



E/A & S/A SPIGOTS



ELEVATION VIEW - ACCESS PANELS SIDE



F/A & R/A SPIGOTS

**ENG NOTES:**  
 - All Panels are 50mm Colorbond Panel Casing  
 - Minimum 1200mm Clearance Required from Access Panel

	Scale	General Tolerances acc to : ISO 2768-1 medium	STANDARD DRAWING		
	A3		Drawn. P.Z	Status. In Process	Date. 7/03/2018 8:36 AM
	Armcor Air Solutions 109-111 Northcorp Blvd Broadmeadows VIC 3047 Phone 03 8301 9200 Web: www.armcor.com.au Email: sales@armcor.com.au			Title. EXTERNAL UNIT ERV	Rev. A
			Model. XEM900P3	SN.	