



## XEM8000P3 TECHNICAL DATA

### TECHNICAL SPECIFICATIONS

#### NOMINAL AIRFLOW

Supply Air (l/sec)	8000
Exhaust Air (l/sec)	8000
Return Air (l/sec)	8000
Fresh Air (l/sec)	8000

#### SUPPLY FAN

Fan Type	EC Plug
Fan Motor	EC Motor
Motor Power (Watts)	2825
External Static (Pa)	250
Fan Diameter	450
Number of Fans	4

#### EXHAUST FAN

Fan Type	EC Plug
Fan Motor	EC Motor
Motor Power (Watts)	2825
External Static (Pa)	250
Fan Diameter	450
Number of Fans	4

#### ELECTRICAL

Supply Fan FLA (A)	17.2 - 17.2 - 17.2
Exhaust Fan FLA (A)	17.2 - 17.2 - 17.2
Nominal Run Current	34.4 - 34.4 - 34.4
Volt/Phase	415V/3ph
Switchboard	Yes
Circuit Breakers	Yes

#### CONTROLS

0-10V DC (Fan Control)	Included
24V AC Fan Enable Relay	Included
Fan Fault Signal 24V Output	Included
Fan Control Status	Available

#### HEAT EXCHANGER

\*RATED AT STANDARD CONDITIONS OF  
35.5° db/24.0° wb

Enthalpy Media	Standard
Sensible Media	Available
Module Size (mm)	800 x 800 x 400D
Number of Modules	14
Face Velocity (m/sec)	2.0
Pressure Drop (Pa)	213.3
Kw Recovered (Cooling)*	153.7
Kw Recovered (Heating)*	159.5

#### CABINET CONSTRUCTION

Casing	50mm Panel
Finish	Surfmist Colorbond
Insulation Value	R2.0
Side Access Panels	Included

#### OPTIONS

Chilled Water/ Hot Water Coil	Available (Model XEC8000)
Economy Cycle	Available
Return Air Bypass	Available
Air Filters	Available

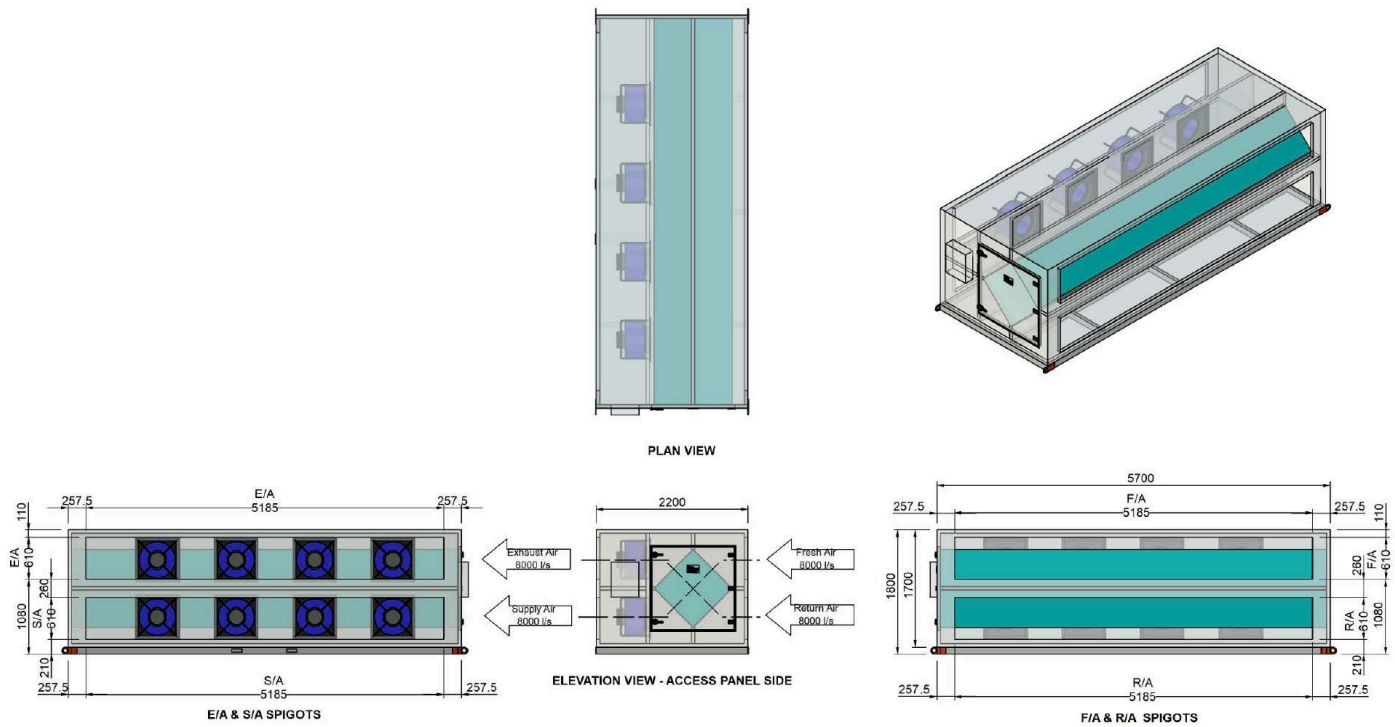
# XCHANGE ERV

EXTERNAL MOUNT

## XEM8000P3 TECHNICAL DATA



### TECHNICAL DRAWINGS - XEM8000P3

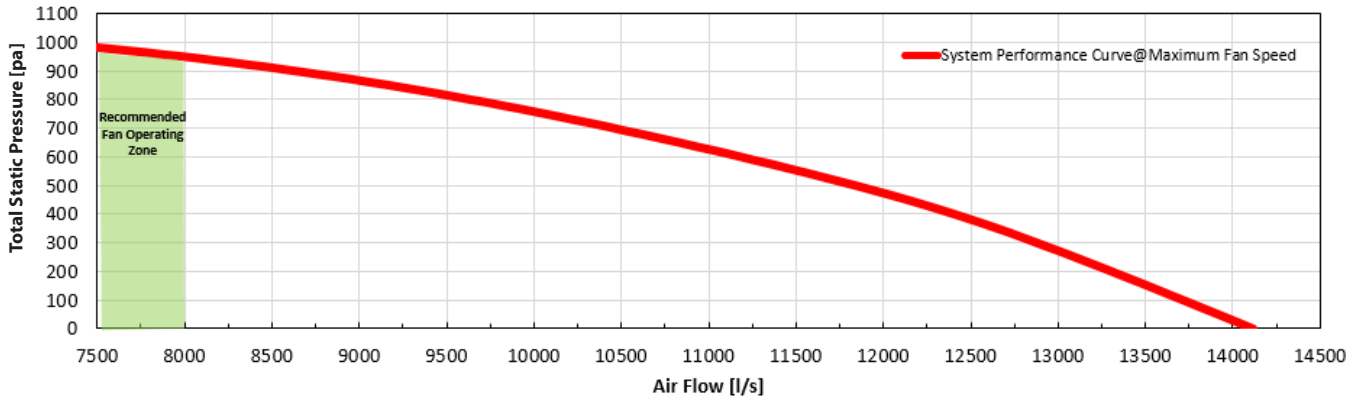


DIMENSIONS		DUCT SIZES	
Height (mm)	1800	Exhaust Air (mm)	5185 x 610
Width (mm)	5700	Return Air (mm)	5185 x 610
Length (mm)	2200	Supply Air (mm)	5185 x 610
Weight (Kg)	1930	Fresh Air (mm)	5185 x 610
Access Clearance (mm)	1200 (Fan & Media Access)		
Access Clearance (mm)	900 (Electrical Controls)		



## XEM8000P3 TECHNICAL DATA

### FAN PERFORMANCE DATA

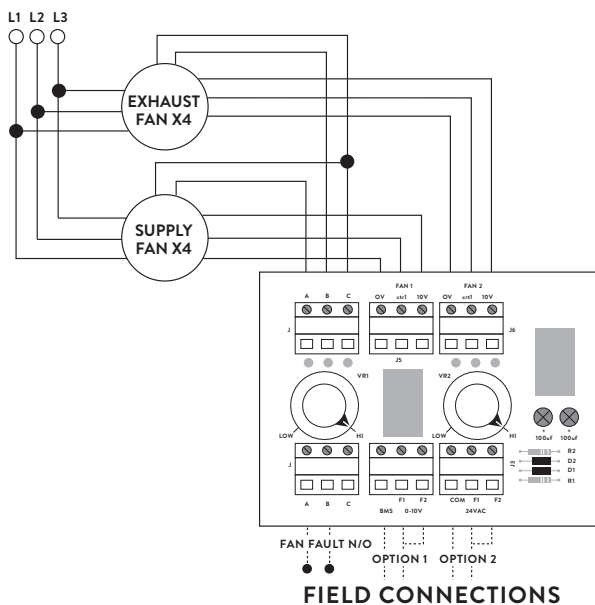


### SOUND POWER LEVELS\*

INLET RATING dB		OUTLET RATING dB	
63 Hz	69.2	63 Hz	70.8
125 Hz	73.8	125 Hz	75.3
250 Hz	75.8	250 Hz	76.4
500 Hz	72.6	500 Hz	78
1K Hz	70.7	1K Hz	79.4
2K Hz	70.4	2K Hz	76.3
4K Hz	68.3	4K Hz	72.9
8K Hz	64	8K Hz	67.5
LwA	77.1	LwA	83.2

\* Sound Power Levels @ 550 Pa Total Static Pressure and 8000 l/s Total Air Volume.

### WIRING DIAGRAM



#### OPTION 1

0-10V DC CONTROL VIA CONNECTION TO BMS

#### OPTION 2

24V AC ENABLE REGULATE FAN SPEED VIA POTS

Do not turn main power on/off to enable/disable the unit operation. This must be done through the control circuit.

Designed and manufactured in Australia

#### Armcor Air Solutions

109-111 Northcorp Blvd, Broadmeadows 3047

P 1800 244 556 E sales@armcor.com.au

www.armcor.com.au

