



XEM500P1 TECHNICAL DATA

TECHNICAL SPECIFICATIONS

NOMINAL AIRFLOW

Supply Air (l/sec)	300 - 500
Exhaust Air (l/sec)	300 - 500
Return Air (l/sec)	300 - 500
Fresh Air (l/sec)	300 - 500

SUPPLY FAN

Fan Type	EC Plug
Fan Motor	EC Motor
Motor Power (Watts)	750
External Static (Pa)	200
Fan Diameter	250
Number of Fans	1

EXHAUST FAN

Fan Type	EC Plug
Fan Motor	EC Motor
Motor Power (Watts)	750
External Static (Pa)	200
Fan Diameter	250
Number of Fans	1

ELECTRICAL

Supply Fan FLA (A)	3.0
Exhaust Fan FLA (A)	3.0
Nominal Run Current	6.0
Volt/Phase	240V/1ph
Switchboard	Yes
Circuit Breakers	Yes

CONTROLS

0-10V DC (Fan Control)	Included
24V AC Fan Enable Relay	Included
Fan Fault Signal 24V Output	Included
Fan Run Status	Available

HEAT EXCHANGER

*RATED AT STANDARD CONDITIONS OF
35.5° db/24.0° wb

Enthalpy Media	Standard
Sensible Media	Available
Module Size (mm)	500 x 500 x 400D
Number of Modules	2
Face Velocity (m/sec)	1.43
Pressure Drop (Pa)	80.2
Kw Recovered (Cooling)*	9.8
Kw Recovered (Heating)*	10.2

CABINET CONSTRUCTION

Casing	50mm Panel
Finish	Surfmist Colorbond
Insulation Value	R2.0
Side Access Panels	Included

OPTIONS

Chilled Water/ Hot Water Coil	Available (Model XEC500)
Economy Cycle	Available (Model XEM500P3EC)
Return Air Bypass	Available
Air Filters	Available

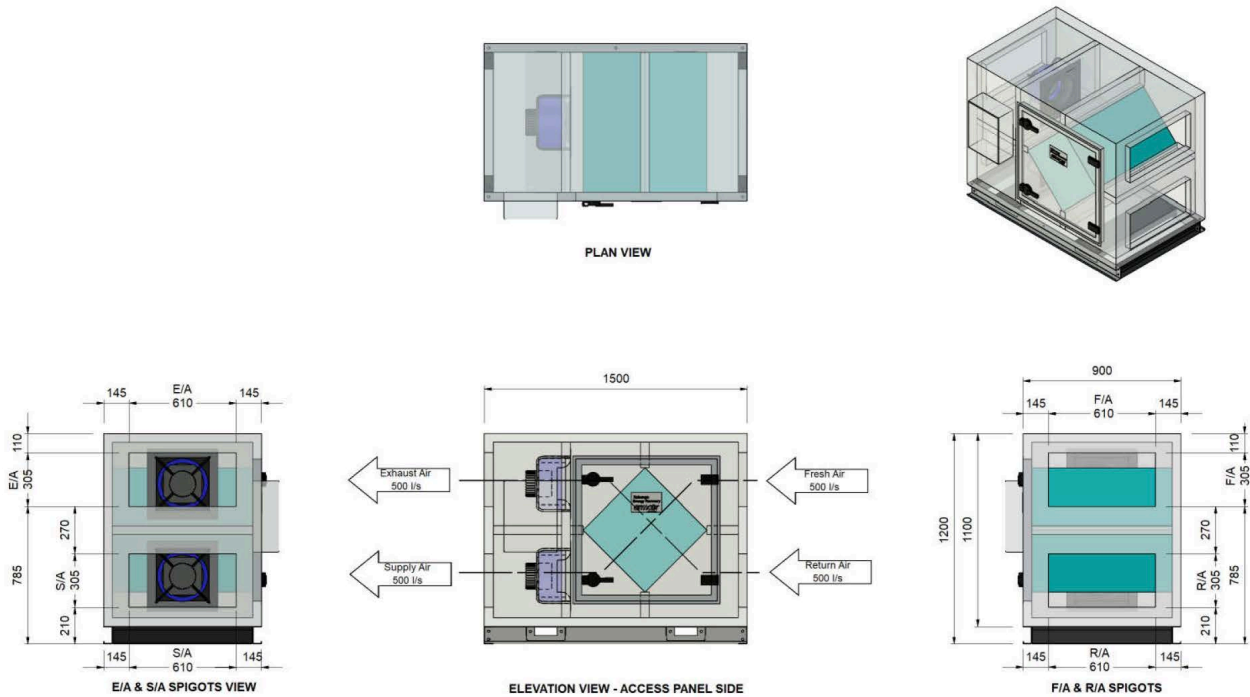
XCHANGE ERV

EXTERNAL MOUNT

XEM500P1 TECHNICAL DATA



TECHNICAL DRAWINGS - XEM500PI



DIMENSIONS

Height (mm)	1200
Width (mm)	900
Length (mm)	1500
Weight (Kg)	295
Front Clearance (mm)	1200 (Fan & Media Access)
Rear Clearance (mm)	900 (Electrical Controls)

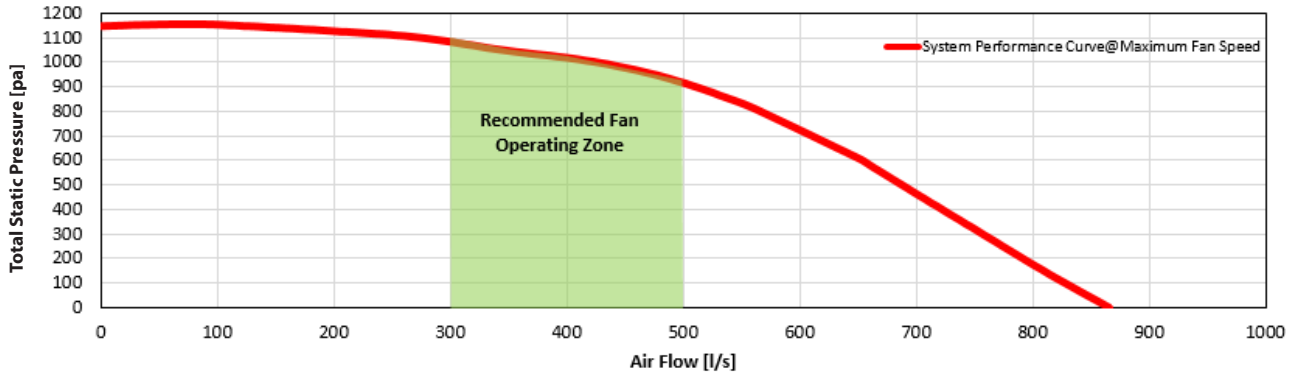
DUCT SIZES

Exhaust Air (mm)	610 x 305
Return Air (mm)	610 x 305
Supply Air (mm)	610 x 305
Fresh Air (mm)	610 x 305



XEM500P1 TECHNICAL DATA

FAN PERFORMANCE DATA

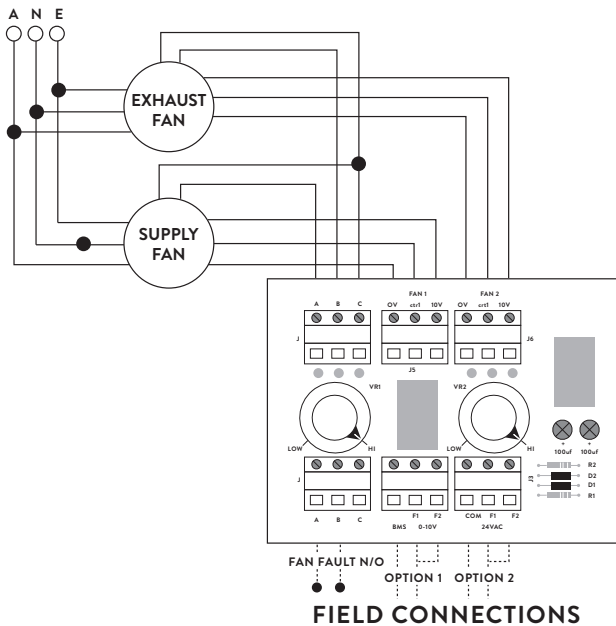


SOUND POWER LEVELS*

INLET RATING dB		OUTLET RATING dB	
63 Hz	64.5	63 Hz	67.2
125 Hz	63.5	125 Hz	65.1
250 Hz	66.5	250 Hz	67.1
500 Hz	70.8	500 Hz	71.6
1K Hz	67.7	1K Hz	73.6
2K Hz	67.2	2K Hz	75.3
4K Hz	66.9	4K Hz	72.3
8K Hz	63.9	8K Hz	68.8
LwA	74.3	LwA	80.1

* Sound Power Levels @ 600 Pa Total Static Pressure and 500 l/s Total Air Volume.

WIRING DIAGRAM



OPTION 1

0-10V DC CONTROL VIA CONNECTION TO BMS

OPTION 2

24V AC ENABLE REGULATE FAN SPEED VIA POTS

Do not turn main power on/off to enable/disable the unit operation. This must be done through the control circuit.

Designed and manufactured in Australia

Armcor Air Solutions

109-111 Northcorp Blvd, Broadmeadows 3047

P 1800 244 556 E sales@armcor.com.au

www.armcor.com.au

