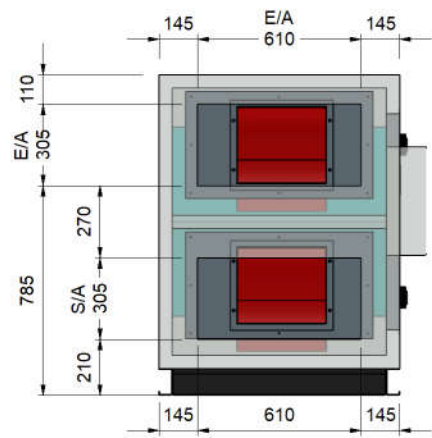
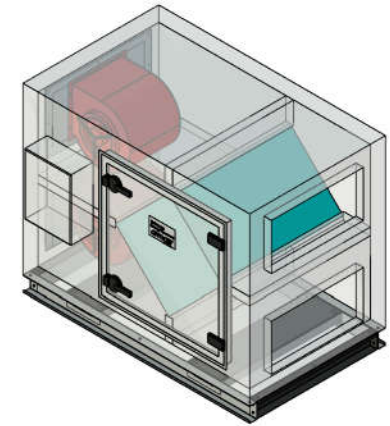
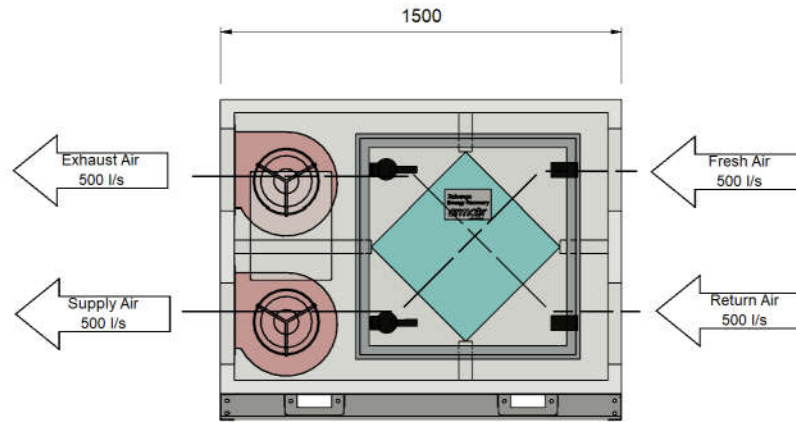


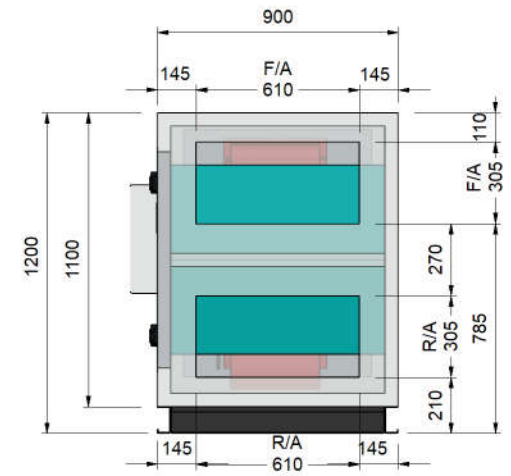
PLAN VIEW



E/A & S/A SPIGOTS VIEW



ELEVATION VIEW - ACCESS PANEL SIDE



F/A & R/A SPIGOTS

ENG NOTES:

- All Panels are 50mm Colorbond Panel Casing
- Minimum 1200mm Clearance Required from Access Panel

	Scale	General Tolerances acc to :		STANDARD DRAWING	
	A3	ISO 2768-1 medium			
	Armcor Air Solutions 109-111 Northcorp Blvd Broadmeadows VIC 3047 Phone 03 8301 9200 Web: www.armcor.com.au Email: sales@armcor.com.au		Drawn. P.Z	Status.	Date. 9/03/2018 9:09 AM
		Title: EXTERNAL UNIT ERV			
		Model: Model XEM500C1		SN.	