



XEM2500P3 TECHNICAL DATA

TECHNICAL SPECIFICATIONS

NOMINAL AIRFLOW

| | |
|---------------------|-------------|
| Supply Air (l/sec) | 2000 - 2500 |
| Exhaust Air (l/sec) | 2000 - 2500 |
| Return Air (l/sec) | 2000 - 2500 |
| Fresh Air (l/sec) | 2000 - 2500 |

SUPPLY FAN

| | |
|----------------------|----------|
| Fan Type | EC Plug |
| Fan Motor | EC Motor |
| Motor Power (Watts) | 2825 |
| External Static (Pa) | 250 |
| Fan Diameter | 450 |
| Number of Fans | 1 |

EXHAUST FAN

| | |
|----------------------|----------|
| Fan Type | EC Plug |
| Fan Motor | EC Motor |
| Motor Power (Watts) | 2825 |
| External Static (Pa) | 250 |
| Fan Diameter | 450 |
| Number of Fans | 1 |

ELECTRICAL

| | |
|---------------------|-----------------|
| Supply Fan FLA (A) | 4.3 - 4.3 - 4.3 |
| Exhaust Fan FLA (A) | 4.3 - 4.3 - 4.3 |
| Nominal Run Current | 8.6 - 8.6 - 8.6 |
| Volt/Phase | 415V/3ph |
| Switchboard | Yes |
| Circuit Breakers | Yes |

CONTROLS

| | |
|-----------------------------|-----------|
| 0-10V DC (Fan Control) | Included |
| 24V AC Fan Enable Relay | Included |
| Fan Fault Signal 24V Output | Included |
| Fan Control Status | Available |

HEAT EXCHANGER

*RATED AT STANDARD CONDITIONS OF
35.5° db/24.0° wb

| | |
|-------------------------|------------------|
| Enthalpy Media | Standard |
| Sensible Media | Available |
| Module Size (mm) | 800 x 800 x 400D |
| Number of Modules | 5 |
| Face Velocity (m/sec) | 1.75 |
| Pressure Drop (Pa) | 183.3 |
| Kw Recovered (Cooling)* | 49.1 |
| Kw Recovered (Heating)* | 50.9 |

CABINET CONSTRUCTION

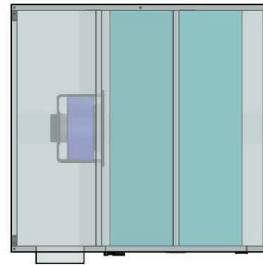
| | |
|--------------------|--------------------|
| Casing | 50mm Panel |
| Finish | Surfmist Colorbond |
| Insulation Value | R2.0 |
| Side Access Panels | Included |

OPTIONS

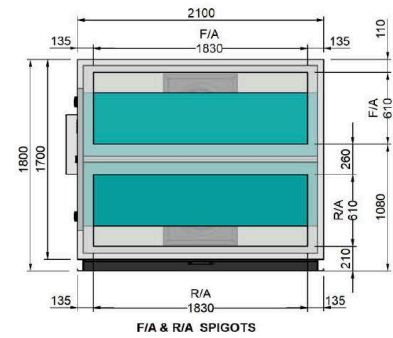
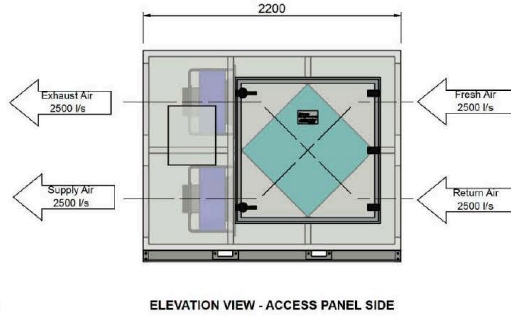
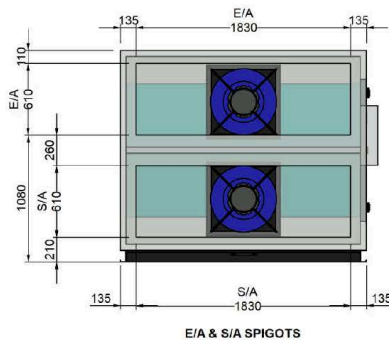
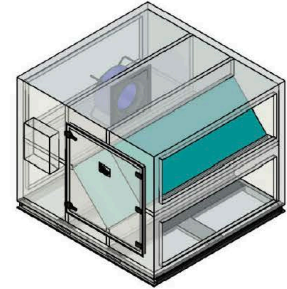
| | |
|-------------------------------|---------------------------|
| Chilled Water/ Hot Water Coil | Available (Model XEC2500) |
| Economy Cycle | Available |
| Return Air Bypass | Available |
| Air Filters | Available |



TECHNICAL DRAWINGS - XEM2500P3



PLAN VIEW

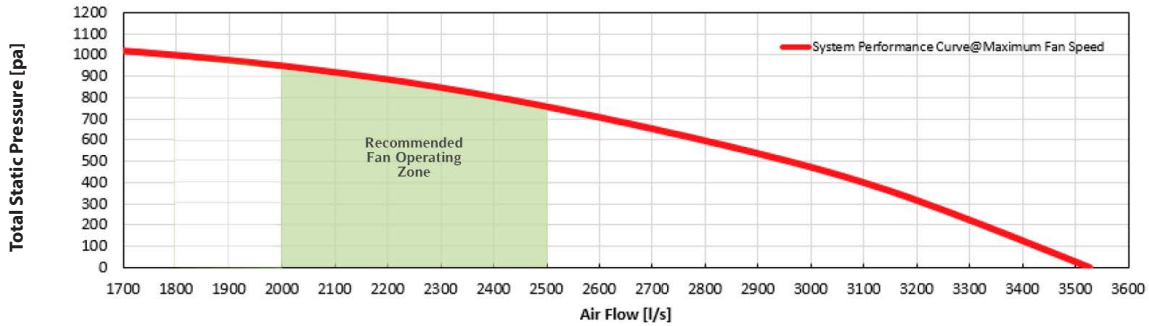


| DIMENSIONS | | DUCT SIZES | |
|-----------------------|---------------------------|------------------|------------|
| Height (mm) | 1800 | Exhaust Air (mm) | 1830 x 610 |
| Width (mm) | 2100 | Return Air (mm) | 1830 x 610 |
| Length (mm) | 2200 | Supply Air (mm) | 1830 x 610 |
| Weight (Kg) | 790 | Fresh Air (mm) | 1830 x 610 |
| Access Clearance (mm) | 1200 (Fan & Media Access) | | |
| Access Clearance (mm) | 900 (Electrical Controls) | | |



XEM2500P3 TECHNICAL DATA

FAN PERFORMANCE DATA

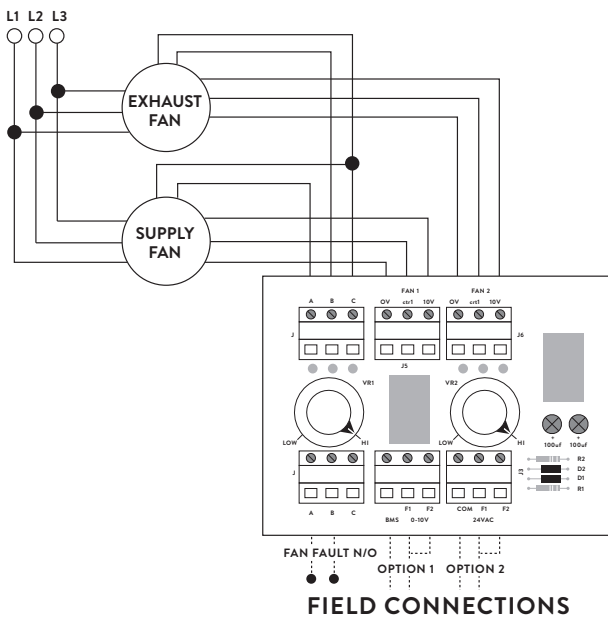


SOUND POWER LEVELS*

| INLET RATING dB | | OUTLET RATING dB | |
|-----------------|------|------------------|------|
| 63 Hz | 70.1 | 63 Hz | 72.1 |
| 125 Hz | 71 | 125 Hz | 73.5 |
| 250 Hz | 79.3 | 250 Hz | 79.6 |
| 500 Hz | 75.9 | 500 Hz | 81.1 |
| 1K Hz | 73.3 | 1K Hz | 82.7 |
| 2K Hz | 74.3 | 2K Hz | 79.8 |
| 4K Hz | 71.7 | 4K Hz | 76 |
| 8K Hz | 70.3 | 8K Hz | 73 |
| LwA | 80.6 | LwA | 86.5 |

* Sound Power Levels @ 550 Pa Total Static Pressure and 2500 l/s Total Air Volume.

WIRING DIAGRAM



OPTION 1

0-10V DC CONTROL VIA CONNECTION TO BMS

OPTION 2

24V AC ENABLE REGULATE FAN SPEED VIA POTS

Do not turn main power on/off to enable/disable the unit operation. This must be done through the control circuit.

Designed and manufactured in Australia

Armcor Air Solutions

109-111 Northcorp Blvd, Broadmeadows 3047

P 1800 244 556 E sales@armcor.com.au

www.armcor.com.au

