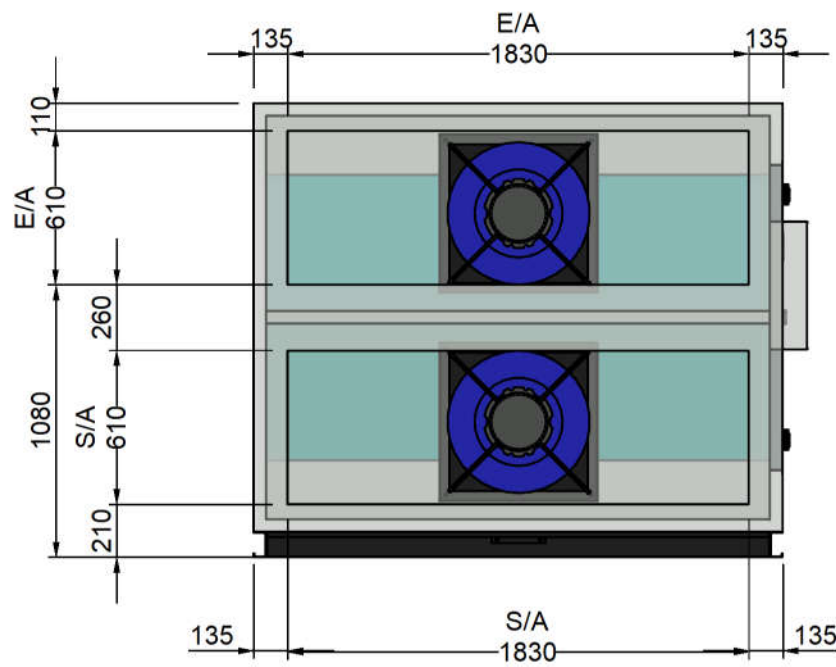
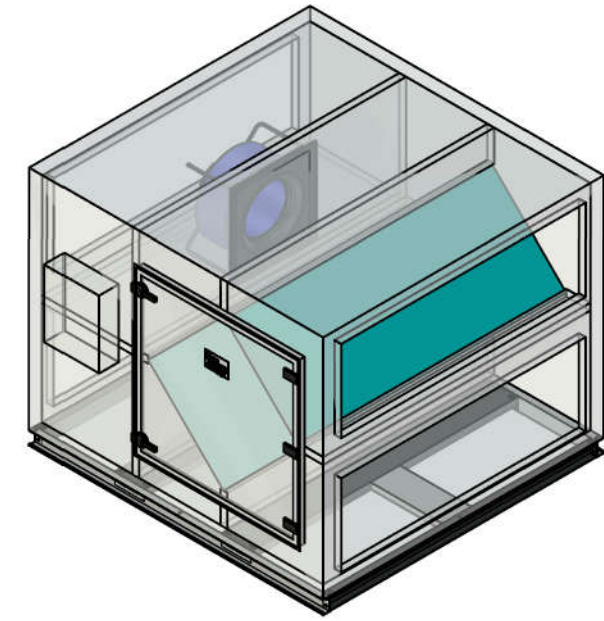
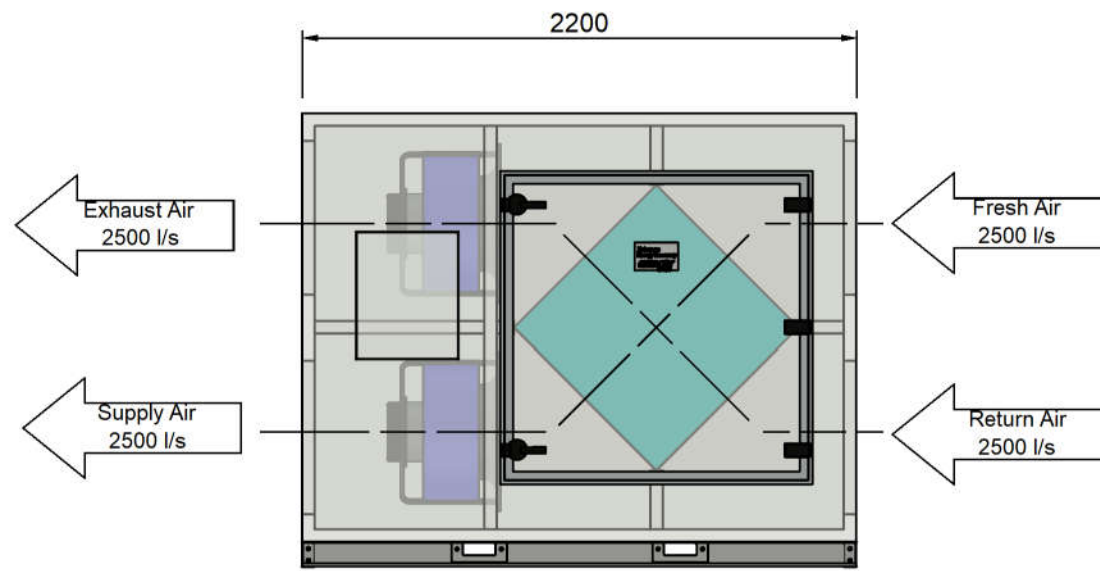


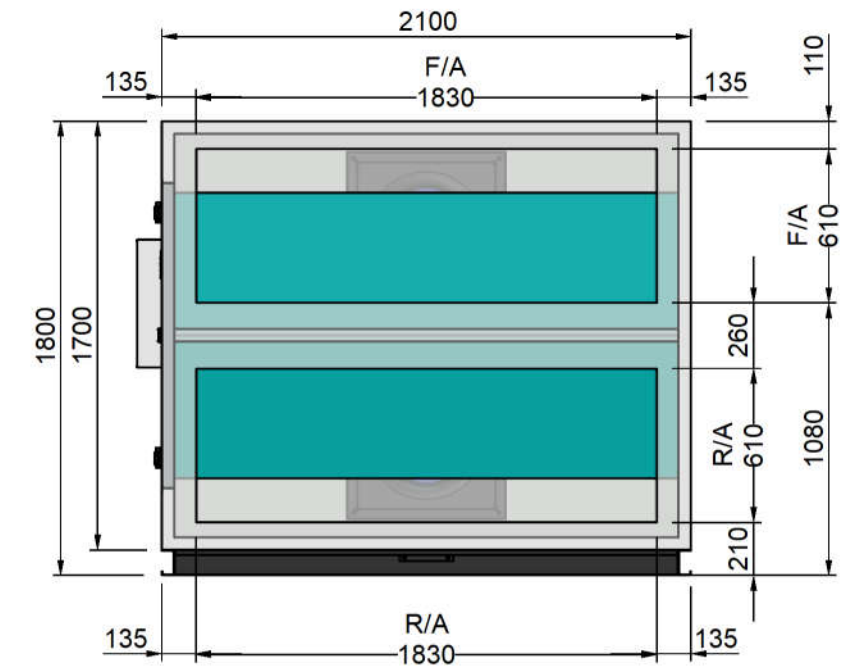
PLAN VIEW



E/A & S/A SPIGOTS



ELEVATION VIEW - ACCESS PANEL SIDE



F/A & R/A SPIGOTS

**ENG NOTES:**

- All Panels are 50mm Colorbond Panel Casing
- Minimum 1200mm Clearance Required from Access Panel

	Scale	General Tolerances acc to : ISO 2768-1 medium	Project.	<b>STANDARD DRAWING</b>		
	Armcor Air Solutions 109-111 Northcorp Blvd Broadmeadows VIC 3047 Phone 03 8301 9200 Web: www.armcor.com.au Email: sales@armcor.com.au		Drawn. P.Z Title. <b>EXTERNAL UNIT ERV</b> Model. <b>XEM2500P3</b>	Status. In Process Date. 7/05/2018 1:58 PM	Sheet 1 of 2 Rev. A	SN.