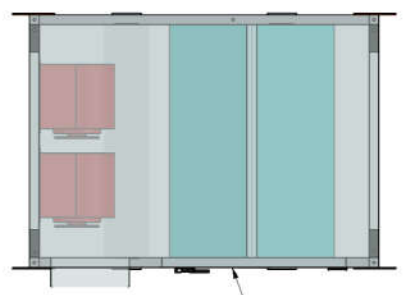


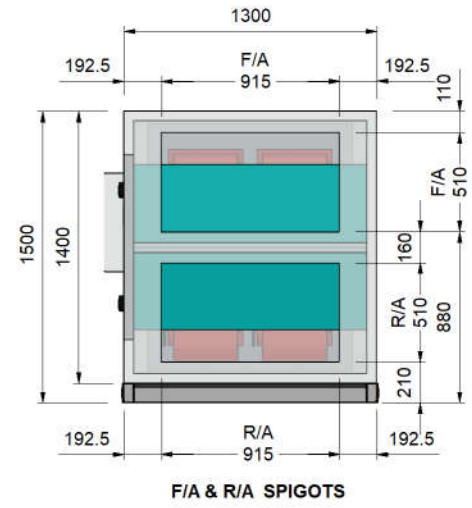
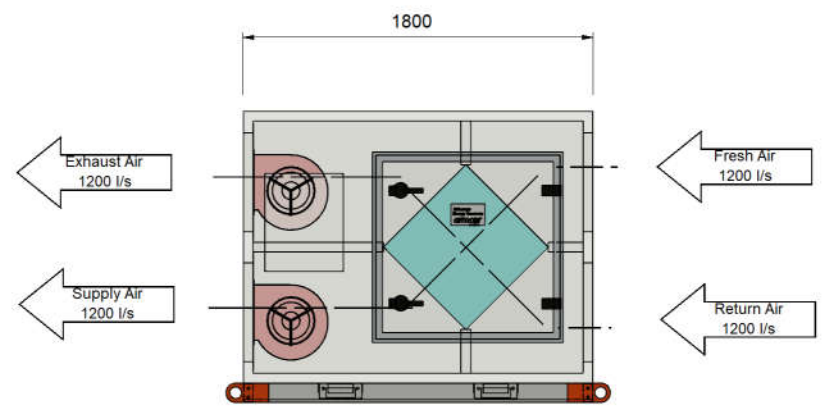
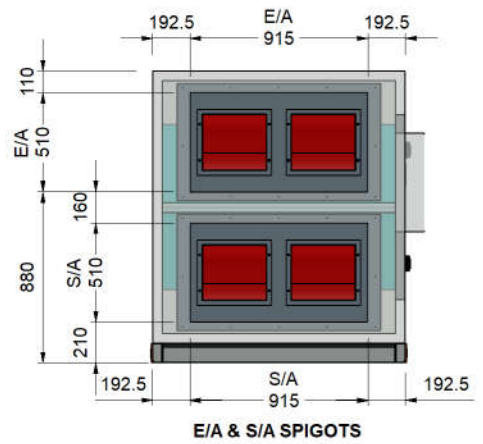
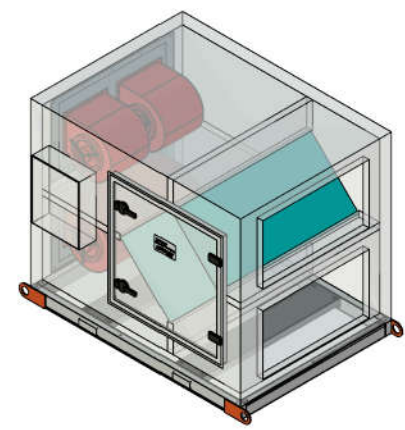
1 2 3 4 5 6 7 8

A  
B  
C  
D  
E  
F



ACCESS PANELS ON THIS SIDE

PLAN VIEW



**ENG NOTES:**  
 - All Panels are 50mm Colorbond Panel Casing  
 - Minimum 1200mm Clearance Required from Access Panel

	Scale	General Tolerances acc to : ISO 2768-1 medium	<b>STANDARD DRAWING</b>		
	A3		Drawn. P.Z	Status. In Process	Date. 1/03/2018 8:18 AM
	Armcor Air Solutions 109-111 Northcorp Blvd Broadmeadows VIC 3047 Phone 03 8301 9200 Web: www.armcor.com.au Email: sales@armcor.com.au		Title. <b>EXTERNAL UNIT ERV</b>	Rev. A	
			Model. <b>XEM1200C1</b>	SN.	

1 2 3 4 5 6 7 8