

XCHANGE ERV

WITH CHILLED/HOT WATER COILS

XEC900P3 TECHNICAL DATA



TECHNICAL SPECIFICATIONS

NOMINAL AIRFLOW

| | |
|---------------------|-----------|
| Supply Air (l/sec) | 600 - 900 |
| Exhaust Air (l/sec) | 600 - 900 |
| Return Air (l/sec) | 600 - 900 |
| Fresh Air (l/sec) | 600 - 900 |

SUPPLY FAN

| | |
|----------------------|----------|
| Fan Type | EC Plug |
| Fan Motor | EC Motor |
| Motor Power (Watts) | 1700 |
| External Static (Pa) | 200 |
| Fan Diameter | 355 |
| Number of Fans | 1 |

EXHAUST FAN

| | |
|----------------------|----------|
| Fan Type | EC Plug |
| Fan Motor | EC Motor |
| Motor Power (Watts) | 1700 |
| External Static (Pa) | 200 |
| Fan Diameter | 355 |
| Number of Fans | 1 |

ELECTRICAL

| | |
|---------------------|-----------------|
| Supply Fan FLA (A) | 2.6 - 2.6 - 2.6 |
| Exhaust Fan FLA (A) | 2.6 - 2.6 - 2.6 |
| Nominal Run Current | 5.2 - 5.2 - 5.2 |
| Volt/Phase | 415V/3ph |
| Switchboard | Yes |
| Circuit Breakers | Yes |

CONTROLS

| | |
|------------------------|-----------|
| 0-10V DC (Fan Control) | Included |
| 24V AC Control Relay | Included |
| Fan Fault Signal | Included |
| Fan Status | Available |

HEAT EXCHANGER *RATED AT STANDARD CONDITIONS OF 35.5° db/24.0° wb

| | |
|-------------------------|------------------|
| Enthalphy Media | Standard |
| Sensible Media | Available |
| Module Size (mm) | 600 x 600 x 400D |
| Number of Modules | 2 |
| Face Velocity (m/sec) | 2.1 |
| Pressure Drop (Pa) | 154.3 |
| Kw Recovered (Cooling)* | 16.6 |
| Kw Recovered (Heating)* | 17.3 |

CABINET CONSTRUCTION

| | |
|--------------------|------------|
| Casing | 50mm Panel |
| Insulation Value | R2.0 |
| Side Access Panels | Included |

CHILLED WATER COIL - if required (Nom. rating)

| | |
|------------------------------|--------------|
| Total Capacity (Kw) | 20.0 |
| Size FL x FH (mm) | 600 x 600 |
| Water In (°C)/Water Out (°C) | 7°/14° |
| Coil Coating | Epoxy Coated |
| Face Velocity (m/sec) | 2.5 |
| Stainless Steel Drain Tray | Included |

HOT WATER COIL - if required (Nom. rating)

| | |
|------------------------------|--------------|
| Total Capacity (Kw) | 20.0 |
| Size FL x FH (mm) | 600 x 600 |
| Water In (°C)/Water Out (°C) | 80°/60° |
| Coil Coating | Epoxy Coated |
| Face Velocity (m/sec) | 2.5 |

DX COIL - if required (Nom. rating)

| | |
|-----------------------|---------------|
| Total Capacity (Kw) | 20.0 |
| Size FL x FH (mm) | 600 x 600 |
| Refrigerant | R407C / R410A |
| Face Velocity (m/sec) | 2.5 |

OPTIONS

| | |
|----------------------------|-----------|
| Economy Cycle | Available |
| Return Air Bypass | Available |
| 75mm Panel Casing | Available |
| Corrosion Resistant Lining | Available |
| Air Filters | Available |

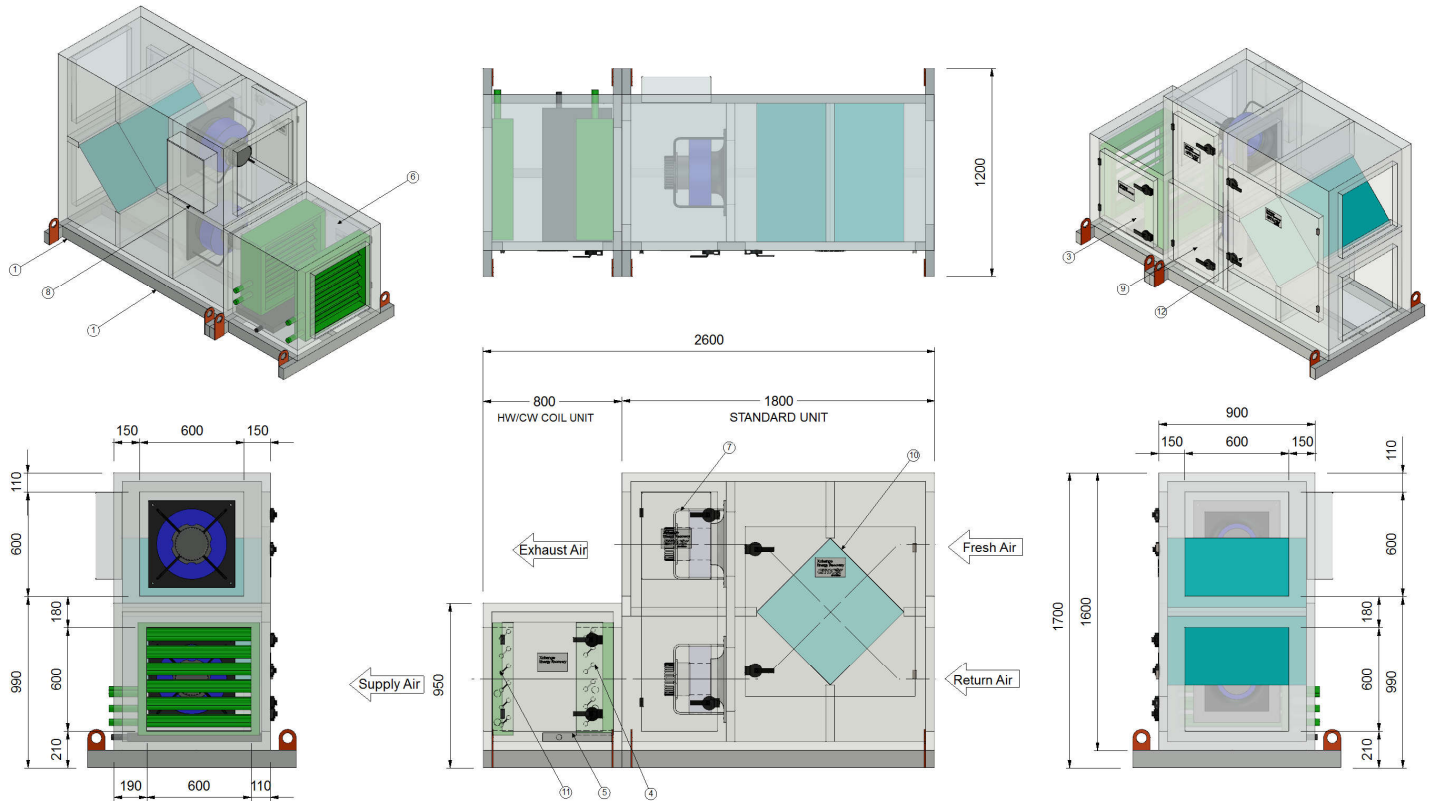
XCHANGE ERV

WITH CHILLED/HOT WATER COILS

XEC900P3 TECHNICAL DATA



TECHNICAL DRAWINGS



DIMENSIONS

| | |
|-----------------------|---------------------------|
| Height (mm) | 1700 |
| Width (mm) | 900 |
| Length (mm) | 2600 |
| Weight (Kg) | 540 |
| Access Clearance (mm) | 1200 (Fan & Media Access) |
| Access Clearance (mm) | 900 (Electrical Controls) |

DUCT SIZES

| | |
|------------------|-----------|
| Exhaust Air (mm) | 600 x 600 |
| Return Air (mm) | 600 x 600 |
| Supply Air (mm) | 600 x 600 |
| Fresh Air (mm) | 600 x 600 |

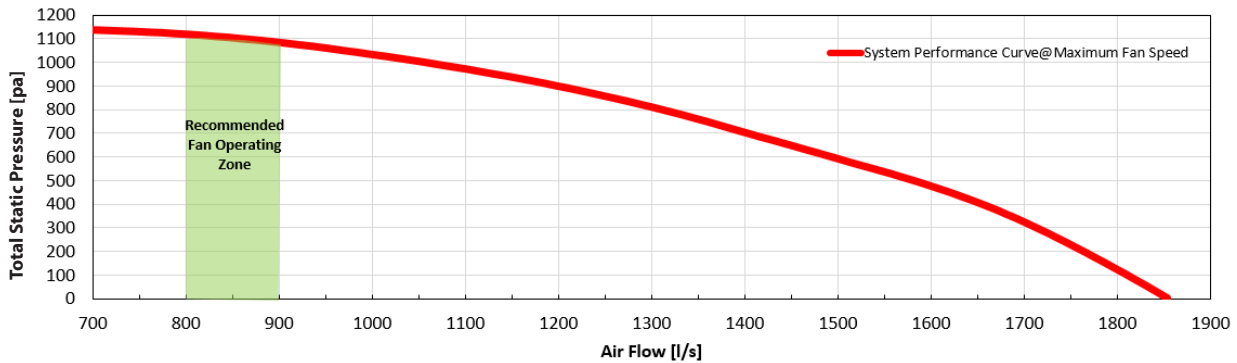
XCHANGE ERV

WITH CHILLED/HOT WATER COILS

XEC900P3 TECHNICAL DATA



FAN PERFORMANCE DATA

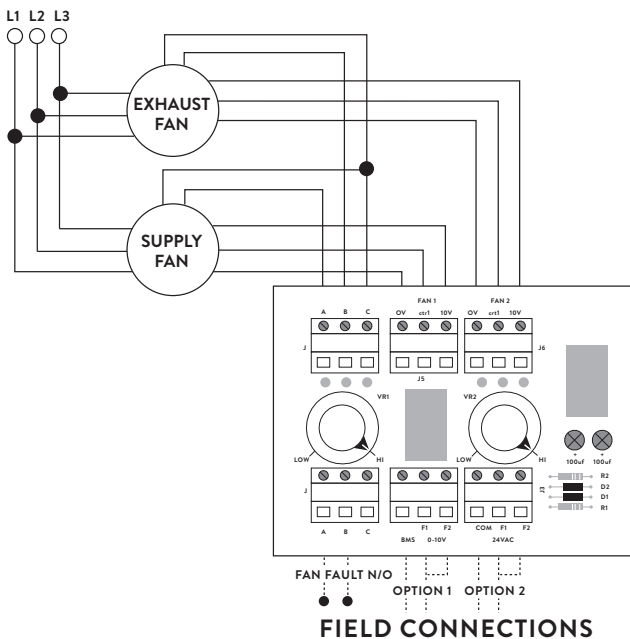


SOUND POWER LEVELS*

| INLET RATING dB | | OUTLET RATING dB | |
|-----------------|------|------------------|------|
| 63 Hz | 63.7 | 63 Hz | 66 |
| 125 Hz | 63.5 | 125 Hz | 65.1 |
| 250 Hz | 71.9 | 250 Hz | 74.2 |
| 500 Hz | 71.8 | 500 Hz | 74.5 |
| 1K Hz | 66.4 | 1K Hz | 76.3 |
| 2K Hz | 67.3 | 2K Hz | 73 |
| 4K Hz | 64.7 | 4K Hz | 69.2 |
| 8K Hz | 60.5 | 8K Hz | 64.3 |
| LwA | 74.1 | LwA | 79.9 |

* Sound Power Levels @ 500 Pa Total Static Pressure and 900 l/s Total Air Volume.

WIRING DIAGRAM



OPTION 1

0-10V DC CONTROL VIA CONNECTION TO BMS

OPTION 2

24V AC ENABLE REGULATE FAN SPEED VIA POTS

Do not turn main power on/off to enable/disable the unit operation. This must be done through the control circuit.

Designed and manufactured in Australia

Armcor Air Solutions

109-111 Northcorp Blvd, Broadmeadows 3047

P 1800 244 556 E sales@armcor.com.au

www.armcor.com.au

