

XCHANGE ERV

WITH CHILLED/HOT WATER COILS



XEC8000P3 TECHNICAL DATA

TECHNICAL SPECIFICATIONS

NOMINAL AIRFLOW

Supply Air (l/sec)	8000
Exhaust Air (l/sec)	8000
Return Air (l/sec)	8000
Fresh Air (l/sec)	8000

SUPPLY FAN

Fan Type	EC Plug
Fan Motor	EC Motor
Motor Power (Watts)	2825
External Static (Pa)	250
Fan Diameter	500
Number of Fans	4

EXHAUST FAN

Fan Type	EC Plug
Fan Motor	EC Motor
Motor Power (Watts)	2825
External Static (Pa)	250
Fan Diameter	500
Number of Fans	4

ELECTRICAL

Supply Fan FLA (A)	17.2 - 17.2 - 17.2
Exhaust Fan FLA (A)	17.2 - 17.2 - 17.2
Nominal Run Current	34.4 - 34.4 - 34.4
Volt/Phase	415V/3ph
Switchboard	Yes
Circuit Breakers	Yes

CONTROLS

0-10V DC (Fan Control)	Included
24V AC Control Relay	Included
Fan Fault Signal	Included
Fan Status	Available

HEAT EXCHANGER

*RATED AT STANDARD CONDITIONS OF
35.5° db/24.0° wb

Enthalphy Media	Standard
Sensible Media	Available
Module Size (mm)	800 x 800 x 400D
Number of Modules	14
Face Velocity (m/sec)	2.0
Pressure Drop (Pa)	213.4
Kw Recovered (Cooling)*	151.9
Kw Recovered (Heating)*	158.4

CABINET CONSTRUCTION

Casing	50mm Panel
Insulation Value	R2.0
Side Access Panels	Included

CHILLED WATER COIL - if required (Nom. rating)

Total Capacity (Kw)	178
Size FL x FH (mm)	3700 x 900
Water In (°C)/Water Out (°C)	7°/14°
Coil Coating	Epoxy Coated
Face Velocity (m/sec)	2.4
Stainless Steel Drain Tray	Included

HOT WATER COIL - if required (Nom. rating)

Total Capacity (Kw)	178
Size FL x FH (mm)	3700 x 900
Water In (°C)/Water Out (°C)	80°/60°
Coil Coating	Epoxy Coated
Face Velocity (m/sec)	2.4

DX COIL - if required (Nom. rating)

Total Capacity (Kw)	178
Size FL x FH (mm)	3700 x 900
Refrigerant	R407C / R410A
Face Velocity (m/sec)	2.4

OPTIONS

Economy Cycle	Available
Return Air Bypass	Available
75mm Panel Casing	Available
Corrosion Resistant Lining	Available
Air Filters	Available

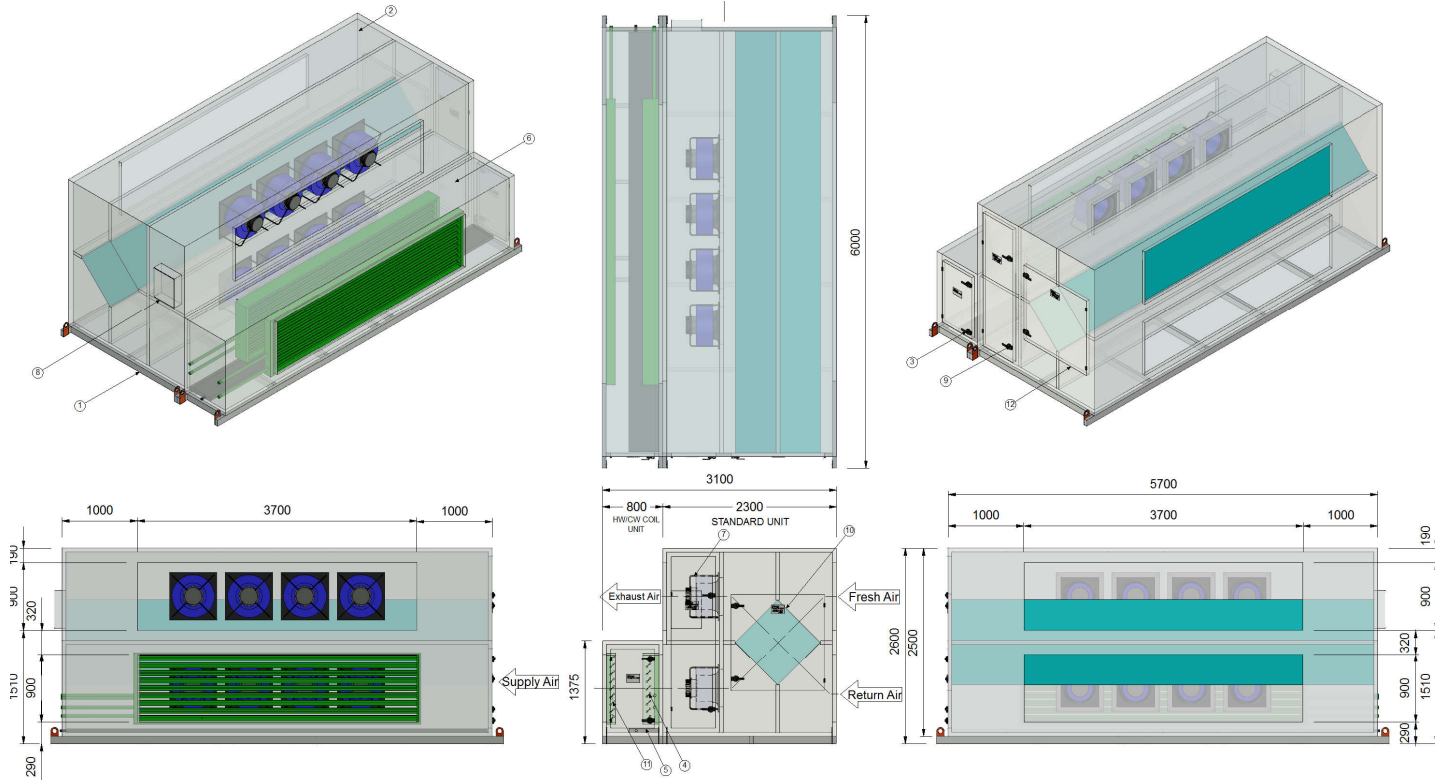
XCHANGE ERV

WITH CHILLED/HOT WATER COILS

XEC8000P3 TECHNICAL DATA



TECHNICAL DRAWINGS



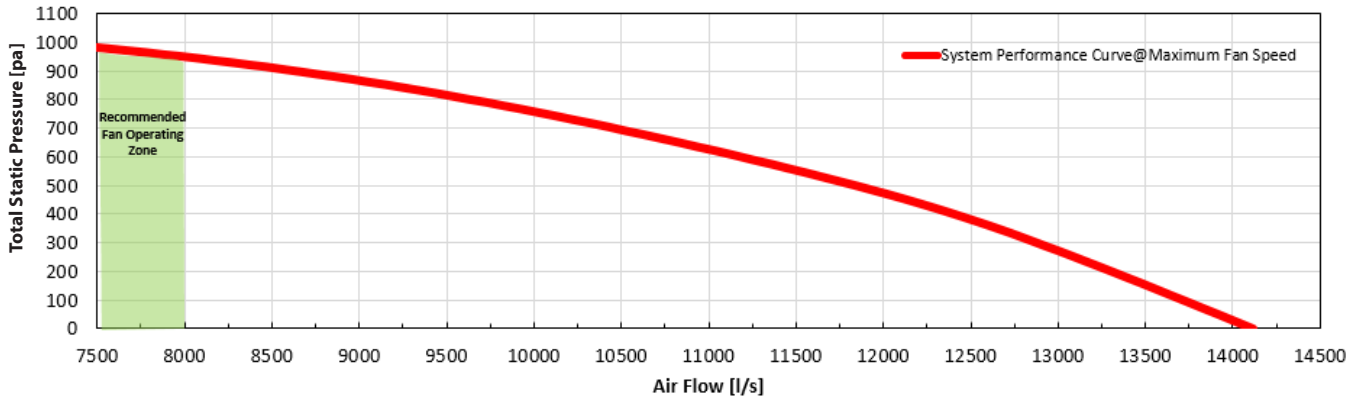
DIMENSIONS	
Height (mm)	2600
Width (mm)	5700
Length (mm)	3100
Weight (Kg)	1345
Access Clearance (mm)	1200 (Fan & Media Access)
Access Clearance (mm)	900 (Electrical Controls)

DUCT SIZES	
Exhaust Air (mm)	3700 x 900
Return Air (mm)	3700 x 900
Supply Air (mm)	3700 x 900
Fresh Air (mm)	3700 x 900



XEC8000P3 TECHNICAL DATA

FAN PERFORMANCE DATA

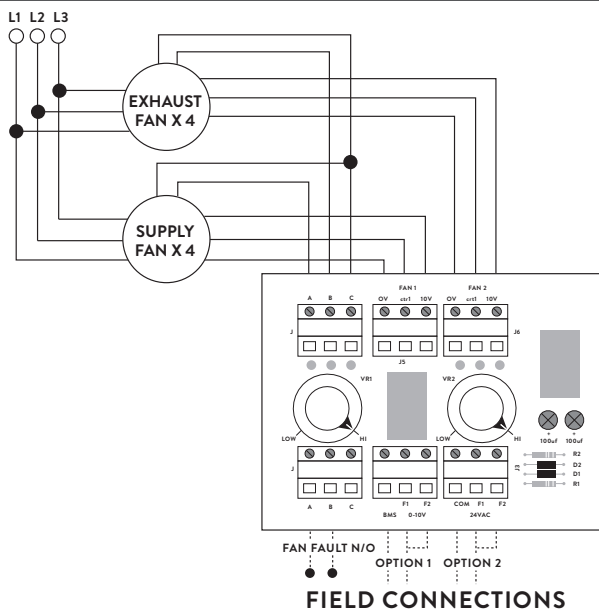


SOUND POWER LEVELS*

INLET RATING dB		OUTLET RATING dB	
63 Hz	69.2	63 Hz	70.8
125 Hz	73.8	125 Hz	75.3
250 Hz	75.8	250 Hz	76.4
500 Hz	72.6	500 Hz	78
1K Hz	70.7	1K Hz	79.4
2K Hz	70.4	2K Hz	76.3
4K Hz	68.3	4K Hz	72.9
8K Hz	64	8K Hz	67.5
LwA	77.1	LwA	83.2

* Sound Power Levels @ 550 Pa Total Static Pressure and 8000 l/s Total Air Volume.

WIRING DIAGRAM



OPTION 1

0-10V DC CONTROL VIA CONNECTION TO BMS

OPTION 2

24V AC ENABLE REGULATE FAN SPEED VIA POTS

Do not turn main power on/off to enable/disable the unit operation. This must be done through the control circuit.

Designed and manufactured in Australia

Armcor Air Solutions

109-111 Northcorp Blvd, Broadmeadows 3047

P 1800 244 556 E sales@armcor.com.au

www.armcor.com.au

