

XCHANGE ERV

WITH CHILLED/HOT WATER COILS

XEC500P1 TECHNICAL DATA



TECHNICAL SPECIFICATIONS

NOMINAL AIRFLOW

Supply Air (l/sec)	300 - 500
Exhaust Air (l/sec)	300 - 500
Return Air (l/sec)	300 - 500
Fresh Air (l/sec)	300 - 500

SUPPLY FAN

Fan Type	EC Plug
Fan Motor	EC Motor
Motor Power (Watts)	750
External Static (Pa)	200
Fan Diameter	250
Number of Fans	1

EXHAUST FAN

Fan Type	EC Plug
Fan Motor	EC Motor
Motor Power (Watts)	750
External Static (Pa)	200
Fan Diameter	250
Number of Fans	1

ELECTRICAL

Supply Fan FLA (A)	3.0
Exhaust Fan FLA (A)	3.0
Nominal Run Current	6.0
Volt/Phase	240V/1ph
Switchboard	Yes
Circuit Breakers	Yes

CONTROLS

0-10V DC (Fan Control)	Included
24V AC Control Relay	Included
Fan Fault Signal	Included
Fan Status	Available

HEAT EXCHANGER

*RATED AT STANDARD CONDITIONS OF
35.5° db/24.0° wb

Enthalphy Media	Standard
Sensible Media	Available
Module Size (mm)	400 x 400 x 400D
Number of Modules	2
Face Velocity (m/sec)	0.91
Pressure Drop (Pa)	38.5
Kw Recovered (Cooling)*	10.3
Kw Recovered (Heating)*	10.8

CABINET CONSTRUCTION

Casing	50mm Panel
Insulation Value	R2.0
Side Access Panels	Included

CHILLED WATER COIL - if required (Nom. rating)

Total Capacity (Kw)	11.0
Size FL x FH (mm)	500 x 400
Water In (°C)/Water Out (°C)	7°/14°
Coil Coating	Epoxy Coated
Face Velocity (m/sec)	2.5
Stainless Steel Drain Tray	Included

HOT WATER COIL - if required (Nom. rating)

Total Capacity (Kw)	11.0
Size FL x FH (mm)	500 x 400
Water In (°C)/Water Out (°C)	80°/60°
Coil Coating	Epoxy Coated
Face Velocity (m/sec)	2.5

DX COIL - if required (Nom. rating)

Total Capacity (Kw)	11.0
Size FL x FH (mm)	500 x 400
Refrigerant	R407C / R410A
Face Velocity (m/sec)	2.5

OPTIONS

Economy Cycle	Available
Return Air Bypass	Available
75mm Panel Casing	Available
Corrosion Resistant Lining	Available
Air Filters	Available

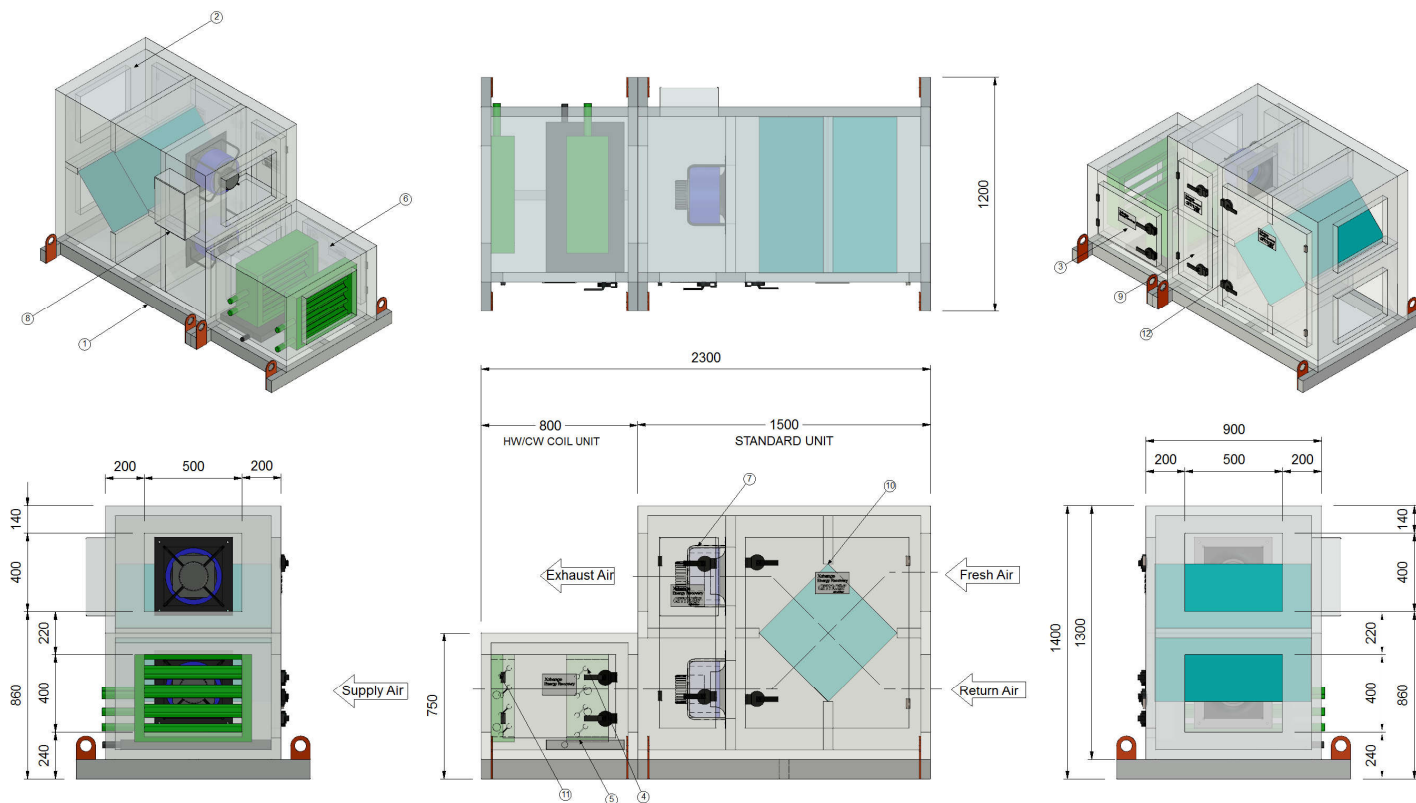
XCHANGE ERV

WITH CHILLED/HOT WATER COILS

XEC500P1 TECHNICAL DATA



TECHNICAL DRAWINGS



DIMENSIONS	
Height (mm)	1400
Width (mm)	900
Length (mm)	2300
Weight (Kg)	430
Access Clearance (mm)	1200 (Fan & Media Access)
Access Clearance (mm)	900 (Electrical Controls)

DUCT SIZES	
Exhaust Air (mm)	500 x 400
Return Air (mm)	500 x 400
Supply Air (mm)	500 x 400
Fresh Air (mm)	500 x 400

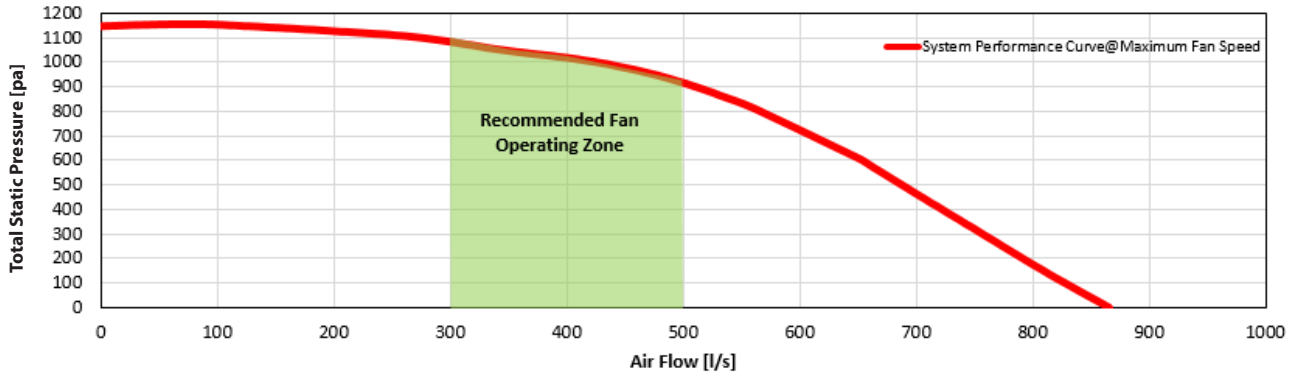
XCHANGE ERV

WITH CHILLED/HOT WATER COILS

XEC500P1 TECHNICAL DATA



FAN PERFORMANCE DATA

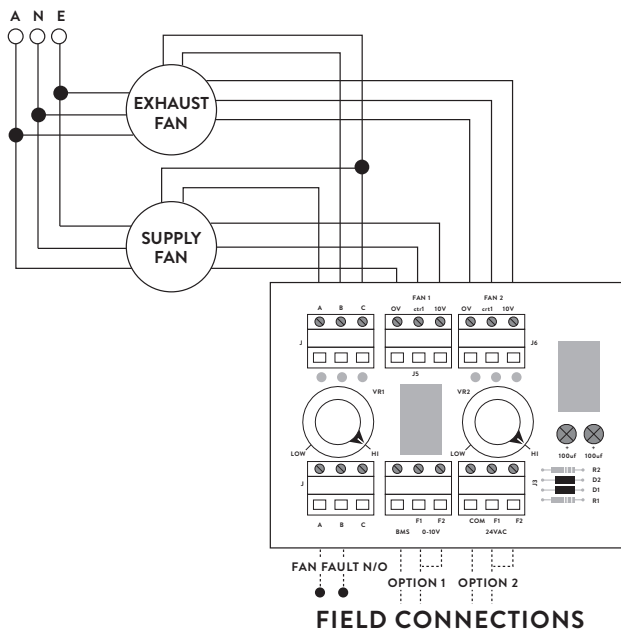


SOUND POWER LEVELS*

INLET RATING dB		OUTLET RATING dB	
63 Hz	64.5	63 Hz	67.2
125 Hz	63.5	125 Hz	65.1
250 Hz	66.5	250 Hz	67.1
500 Hz	70.8	500 Hz	71.6
1K Hz	67.7	1K Hz	73.6
2K Hz	67.2	2K Hz	75.3
4K Hz	66.9	4K Hz	72.3
8K Hz	63.9	8K Hz	68.8
LwA	74.3	LwA	80.1

* Sound Power Levels @ 600 Pa Total Static Pressure and 500 l/s Total Air Volume.

WIRING DIAGRAM



OPTION 1

0-10V DC CONTROL VIA CONNECTION TO BMS

OPTION 2

24V AC ENABLE REGULATE FAN SPEED VIA POTS

Do not turn main power on/off to enable/disable the unit operation. This must be done through the control circuit.

Designed and manufactured in Australia

Armcor Air Solutions

109-111 Northcorp Blvd, Broadmeadows 3047

P 1800 244 556 E sales@armcor.com.au

www.armcor.com.au

