

XCHANGE ERV

WITH CHILLED/HOT WATER COILS



XEC3000P3 TECHNICAL DATA

TECHNICAL SPECIFICATIONS

NOMINAL AIRFLOW

| | |
|---------------------|------|
| Supply Air (l/sec) | 3000 |
| Exhaust Air (l/sec) | 3000 |
| Return Air (l/sec) | 3000 |
| Fresh Air (l/sec) | 3000 |

SUPPLY FAN

| | |
|----------------------|----------|
| Fan Type | EC Plug |
| Fan Motor | EC Motor |
| Motor Power (Watts) | 5700 |
| External Static (Pa) | 250 |
| Fan Diameter | 500 |
| Number of Fans | 1 |

EXHAUST FAN

| | |
|----------------------|----------|
| Fan Type | EC Plug |
| Fan Motor | EC Motor |
| Motor Power (Watts) | 5700 |
| External Static (Pa) | 250 |
| Fan Diameter | 500 |
| Number of Fans | 1 |

ELECTRICAL

| | |
|---------------------|--------------------|
| Supply Fan FLA (A) | 9.0 - 9.0 - 9.0 |
| Exhaust Fan FLA (A) | 9.0 - 9.0 - 9.0 |
| Nominal Run Current | 18.0 - 18.0 - 18.0 |
| Volt/Phase | 415V/3ph |
| Switchboard | Yes |
| Circuit Breakers | Yes |

CONTROLS

| | |
|------------------------|-----------|
| 0-10V DC (Fan Control) | Included |
| 24V AC Control Relay | Included |
| Fan Fault Signal | Included |
| Fan Status | Available |

HEAT EXCHANGER

*RATED AT STANDARD CONDITIONS OF
35.5° db/24.0° wb

| | |
|-------------------------|------------------|
| Enthalphy Media | Standard |
| Sensible Media | Available |
| Module Size (mm) | 800 x 800 x 400D |
| Number of Modules | 6 |
| Face Velocity (m/sec) | 1.7 |
| Pressure Drop (Pa) | 183.3 |
| Kw Recovered (Cooling)* | 58.2 |
| Kw Recovered (Heating)* | 60.7 |

CABINET CONSTRUCTION

| | |
|--------------------|------------|
| Casing | 50mm Panel |
| Insulation Value | R2.0 |
| Side Access Panels | Included |

CHILLED WATER COIL - if required (Nom. rating)

| | |
|------------------------------|--------------|
| Total Capacity (Kw) | 66.0 |
| Size FL x FH (mm) | 2100 x 600 |
| Water In (°C)/Water Out (°C) | 7°/14° |
| Coil Coating | Epoxy Coated |
| Face Velocity (m/sec) | 2.38 |
| Stainless Steel Drain Tray | Included |

HOT WATER COIL - if required (Nom. rating)

| | |
|------------------------------|--------------|
| Total Capacity (Kw) | 66.0 |
| Size FL x FH (mm) | 2100 x 600 |
| Water In (°C)/Water Out (°C) | 80°/60° |
| Coil Coating | Epoxy Coated |
| Face Velocity (m/sec) | 2.38 |

DX COIL - if required (Nom. rating)

| | |
|-----------------------|---------------|
| Total Capacity (Kw) | 66.0 |
| Size FL x FH (mm) | 2100 x 600 |
| Refrigerant | R407C / R410A |
| Face Velocity (m/sec) | 2.38 |

OPTIONS

| | |
|----------------------------|-----------|
| Economy Cycle | Available |
| Return Air Bypass | Available |
| 75mm Panel Casing | Available |
| Corrosion Resistant Lining | Available |
| Air Filters | Available |

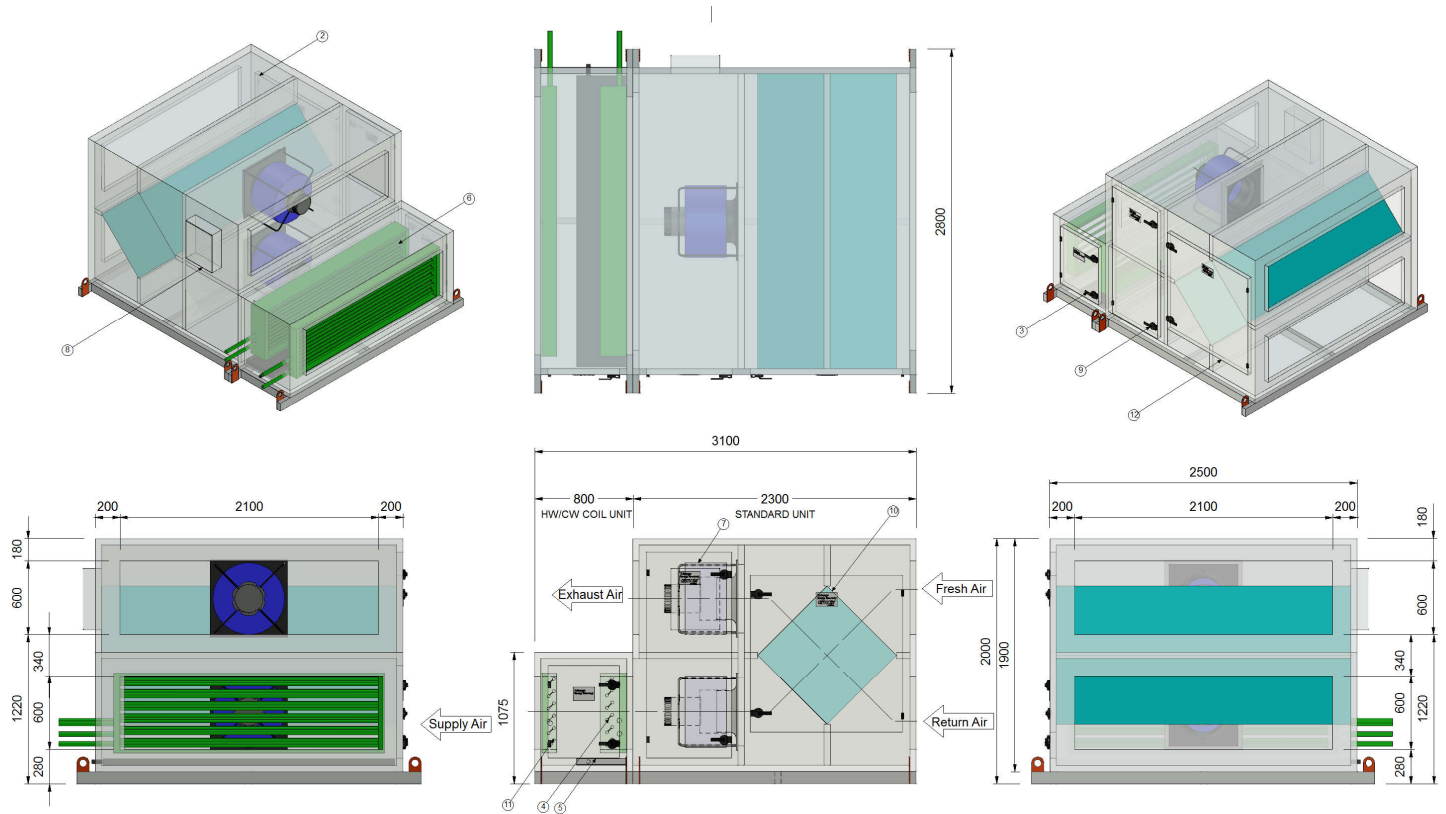
XCHANGE ERV

WITH CHILLED/HOT WATER COILS

XEC3000P3 TECHNICAL DATA



TECHNICAL DRAWINGS

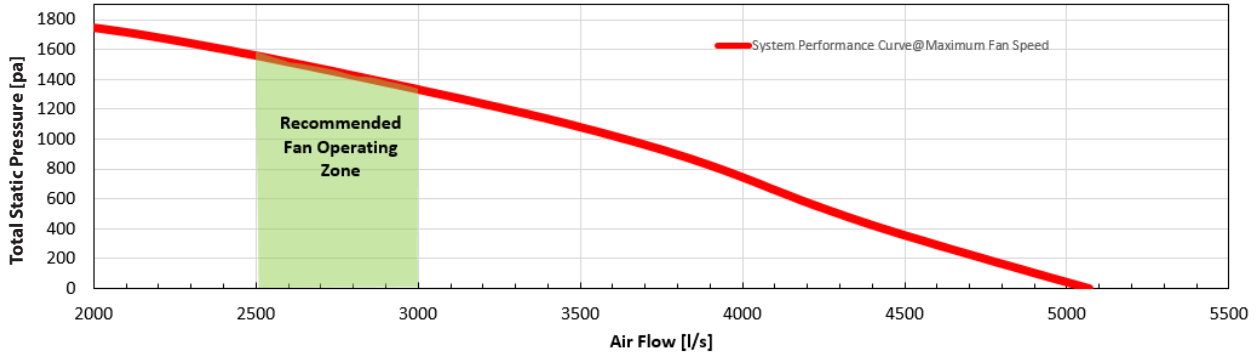


| DIMENSIONS | | DUCT SIZES | |
|-----------------------|---------------------------|------------------|------------|
| Height (mm) | 2000 | Exhaust Air (mm) | 2100 x 600 |
| Width (mm) | 2500 | Return Air (mm) | 2100 x 600 |
| Length (mm) | 3100 | Supply Air (mm) | 2100 x 600 |
| Weight (Kg) | 1275 | Fresh Air (mm) | 2100 x 600 |
| Access Clearance (mm) | 1200 (Fan & Media Access) | | |
| Access Clearance (mm) | 900 (Electrical Controls) | | |



XEC3000P3 TECHNICAL DATA

FAN PERFORMANCE DATA

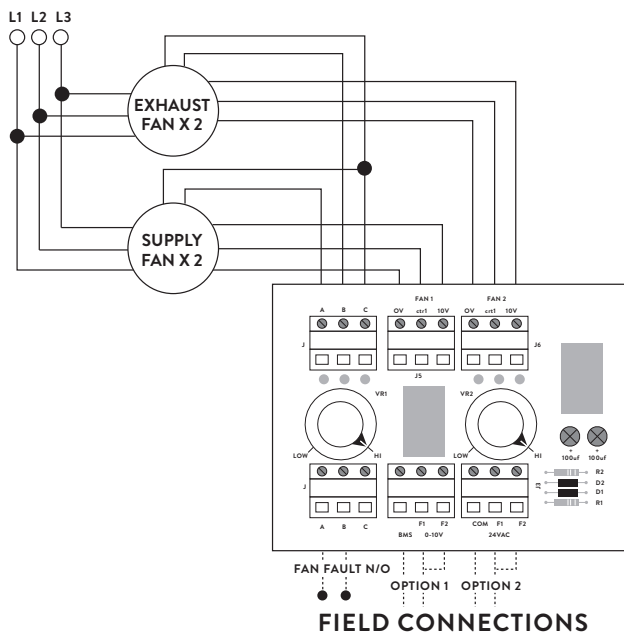


SOUND POWER LEVELS*

| INLET RATING dB | | OUTLET RATING dB | |
|-----------------|------|------------------|------|
| 63 Hz | 64 | 63 Hz | 68.7 |
| 125 Hz | 77.6 | 125 Hz | 80.1 |
| 250 Hz | 77.8 | 250 Hz | 77.9 |
| 500 Hz | 72.9 | 500 Hz | 79.6 |
| 1K Hz | 74.7 | 1K Hz | 88.2 |
| 2K Hz | 74.9 | 2K Hz | 80.1 |
| 4K Hz | 86 | 4K Hz | 86.7 |
| 8K Hz | 69.7 | 8K Hz | 73.5 |
| LwA | 87.7 | LwA | 91.6 |

* Sound Power Levels @ 550 Pa Total Static Pressure and 3000 l/s Total Air Volume.

WIRING DIAGRAM



OPTION 1

0-10V DC CONTROL VIA CONNECTION TO BMS

OPTION 2

24V AC ENABLE REGULATE FAN SPEED VIA POTS

Do not turn main power on/off to enable/disable the unit operation. This must be done through the control circuit.

Designed and manufactured in Australia

Armcor Air Solutions

109-111 Northcorp Blvd, Broadmeadows 3047

P 1800 244 556 E sales@armcor.com.au

www.armcor.com.au

