

# XCHANGE ERV

WITH CHILLED/HOT WATER COILS



## XEC1700P3 TECHNICAL DATA

### TECHNICAL SPECIFICATIONS

#### NOMINAL AIRFLOW

Supply Air (l/sec)	1300 - 1700
Exhaust Air (l/sec)	1300 - 1700
Return Air (l/sec)	1300 - 1700
Fresh Air (l/sec)	1300 - 1700

#### SUPPLY FAN

Fan Type	EC Plug
Fan Motor	EC Motor
Motor Power (Watts)	2825
External Static (Pa)	250
Fan Diameter	500
Number of Fans	1

#### EXHAUST FAN

Fan Type	EC Plug
Fan Motor	EC Motor
Motor Power (Watts)	2825
External Static (Pa)	250
Fan Diameter	500
Number of Fans	1

#### ELECTRICAL

Supply Fan FLA (A)	4.3 - 4.3 - 4.3
Exhaust Fan FLA (A)	4.3 - 4.3 - 4.3
Nominal Run Current	8.6 - 8.6 - 8.6
Volt/Phase	415V/3ph
Switchboard	Yes
Circuit Breakers	Yes

#### CONTROLS

0-10V DC (Fan Control)	Included
24V AC Control Relay	Included
Fan Fault Signal	Included
Fan Status	Available

#### HEAT EXCHANGER

\*RATED AT STANDARD CONDITIONS OF  
35.5° db/24.0° wb

Enthalphy Media	Standard
Sensible Media	Available
Module Size (mm)	800 x 800 x 400D
Number of Modules	4
Face Velocity (m/sec)	1.49
Pressure Drop (Pa)	153
Kw Recovered (Cooling)*	33.84
Kw Recovered (Heating)*	35.29

#### CABINET CONSTRUCTION

Casing	50mm Panel
Insulation Value	R2.0
Side Access Panels	Included

#### CHILLED WATER COIL - if required (Nom. rating)

Total Capacity (Kw)	38.0
Size FL x FH (mm)	1200 x 600
Water In (°C)/Water Out (°C)	7°/14°
Coil Coating	Epoxy Coated
Face Velocity (m/sec)	2.36
Stainless Steel Drain Tray	Included

#### HOT WATER COIL - if required (Nom. rating)

Total Capacity (Kw)	38.0
Size FL x FH (mm)	1200 x 600
Water In (°C)/Water Out (°C)	80°/60°
Coil Coating	Epoxy Coated
Face Velocity (m/sec)	2.36

#### DX COIL - if required (Nom. rating)

Total Capacity (Kw)	38.0
Size FL x FH (mm)	1200 x 600
Refrigerant	R407C / R410A
Face Velocity (m/sec)	2.36

#### OPTIONS

Economy Cycle	Available
Return Air Bypass	Available
75mm Panel Casing	Available
Corrosion Resistant Lining	Available
Air Filters	Available

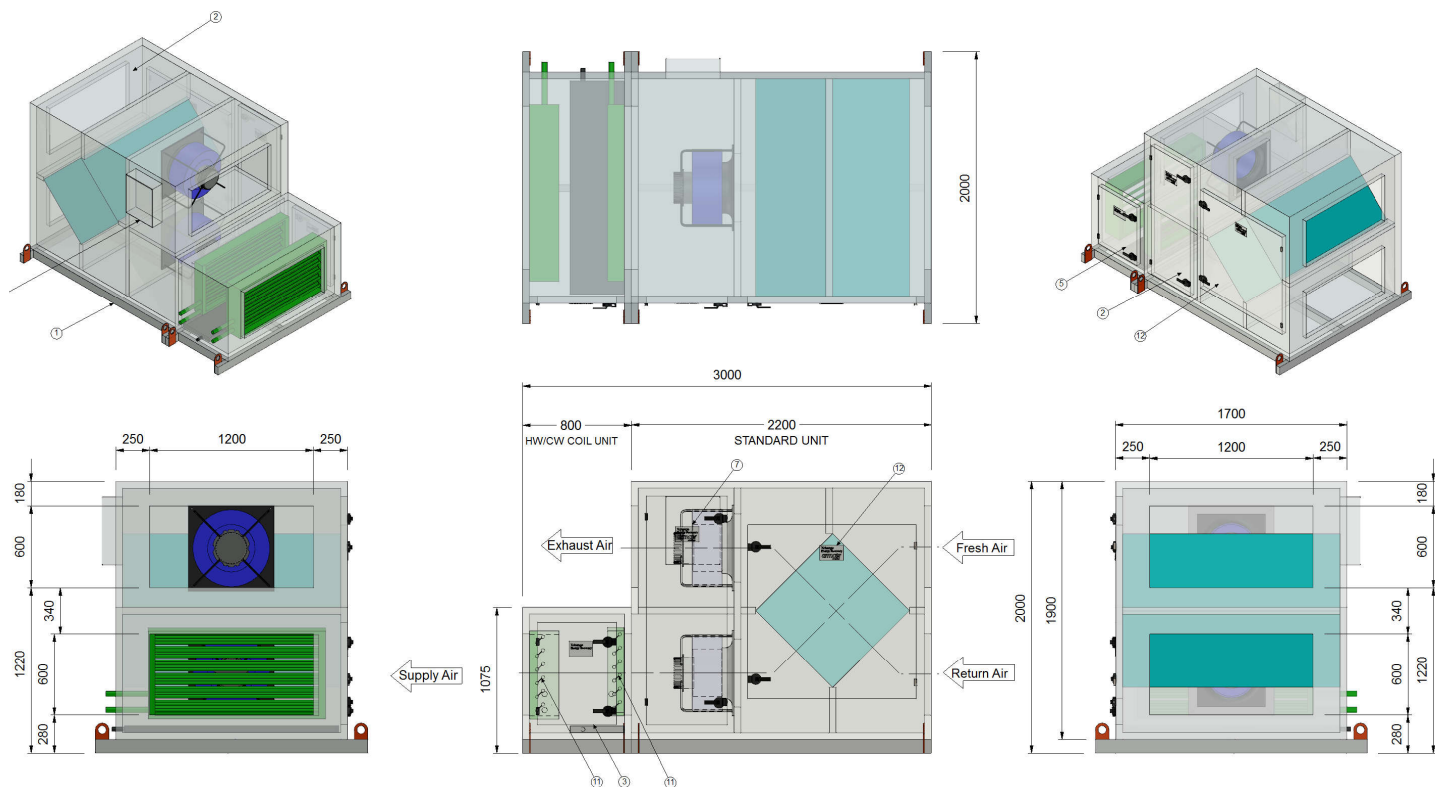
# XCHANGE ERV

WITH CHILLED/HOT WATER COILS

## XEC1700P3 TECHNICAL DATA



### TECHNICAL DRAWINGS



DIMENSIONS	
Height (mm)	2000
Width (mm)	1700
Length (mm)	3000
Weight (Kg)	940
Access Clearance (mm)	1200 (Fan & Media Access)
Access Clearance (mm)	900 (Electrical Controls)

DUCT SIZES	
Exhaust Air (mm)	1200 x 600
Return Air (mm)	1200 x 600
Supply Air (mm)	1200 x 600
Fresh Air (mm)	1200 x 600

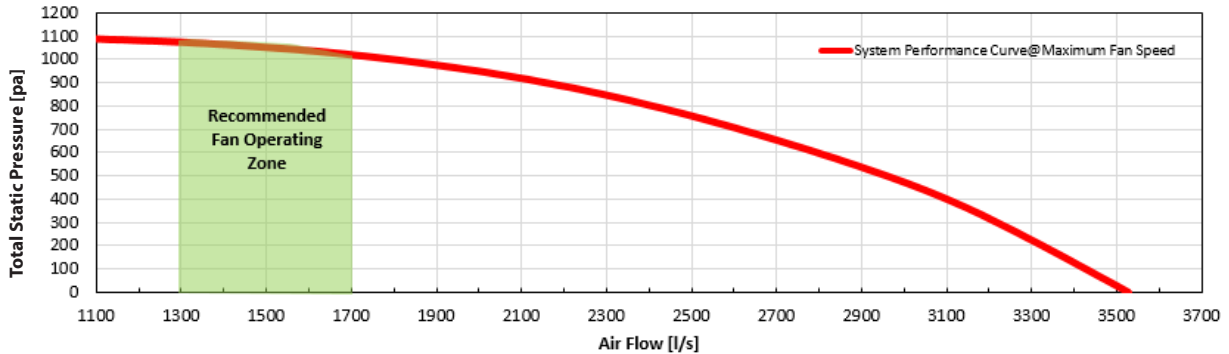
# XCHANGE ERV

WITH CHILLED/HOT WATER COILS

## XEC1700P3 TECHNICAL DATA



### FAN PERFORMANCE DATA

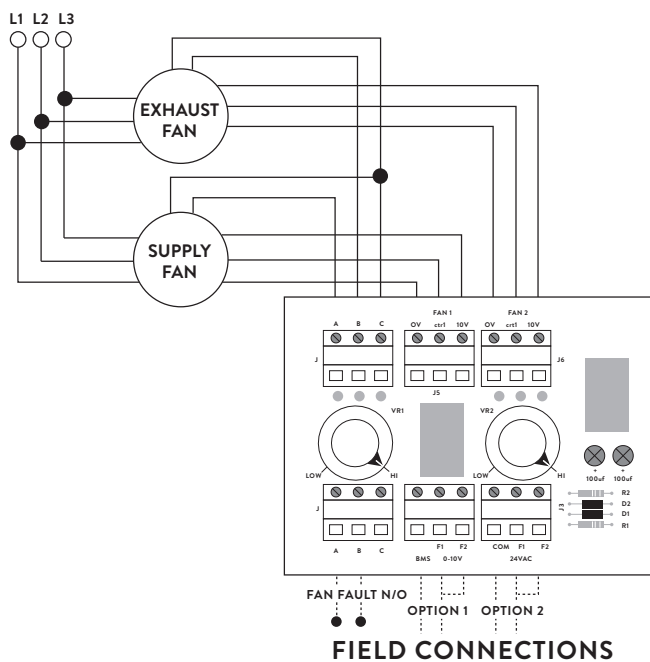


### SOUND POWER LEVELS\*

INLET RATING dB		OUTLET RATING dB	
63 Hz	66.9	63 Hz	69.5
125 Hz	74.6	125 Hz	75.9
250 Hz	74.3	250 Hz	74.8
500 Hz	70.8	500 Hz	76.8
1K Hz	69.8	1K Hz	78.3
2K Hz	69.1	2K Hz	75
4K Hz	66.1	4K Hz	70.9
8K Hz	62.5	8K Hz	66.2
LwA	75.7	LwA	81.9

\* Sound Power Levels @ 550 Pa Total Static Pressure and 1700 l/s Total Air Volume.

### WIRING DIAGRAM



#### OPTION 1

0-10V DC CONTROL VIA CONNECTION TO BMS

#### OPTION 2

24V AC ENABLE REGULATE FAN SPEED VIA POTS

Do not turn main power on/off to enable/disable the unit operation. This must be done through the control circuit.

Designed and manufactured in Australia

#### Armcor Air Solutions

109-111 Northcorp Blvd, Broadmeadows 3047

P 1800 244 556 E sales@armcor.com.au

www.armcor.com.au

