

XCHANGE ERV

WITH CHILLED/HOT WATER COILS



XEC1200P3 TECHNICAL DATA

TECHNICAL SPECIFICATIONS

NOMINAL AIRFLOW

Supply Air (l/sec)	1000 - 1200
Exhaust Air (l/sec)	1000 - 1200
Return Air (l/sec)	1000 - 1200
Fresh Air (l/sec)	1000 - 1200

SUPPLY FAN

Fan Type	EC Plug
Fan Motor	EC Motor
Motor Power (Watts)	1700
External Static (Pa)	200
Fan Diameter	355
Number of Fans	1

EXHAUST FAN

Fan Type	EC Plug
Fan Motor	EC Motor
Motor Power (Watts)	1700
External Static (Pa)	200
Fan Diameter	355
Number of Fans	1

ELECTRICAL

Supply Fan FLA (A)	2.6 - 2.6 - 2.6
Exhaust Fan FLA (A)	2.6 - 2.6 - 2.6
Nominal Run Current	5.2 - 5.2 - 5.2
Volt/Phase	415V/3ph
Switchboard	Yes
Circuit Breakers	Yes

CONTROLS

0-10V DC (Fan Control)	Included
24V AC Control Relay	Included
Fan Fault Signal	Included
Fan Status	Available

HEAT EXCHANGER

*RATED AT STANDARD CONDITIONS OF
35.5° db/24.0° wb

Enthalpy Media	Standard
Sensible Media	Available
Module Size (mm)	600 x 600 x 400D
Number of Modules	3
Face Velocity (m/sec)	1.89
Pressure Drop (Pa)	130.3
Kw Recovered (Cooling)*	22.5
Kw Recovered (Heating)*	23.5

CABINET CONSTRUCTION

Casing	50mm Panel
Insulation Value	R2.0
Side Access Panels	Included

CHILLED WATER COIL - if required (Nom. rating)

Total Capacity (Kw)	27.0
Size FL x FH (mm)	900 x 600
Water In (°C)/Water Out (°C)	7°/14°
Coil Coating	Epoxy Coated
Face Velocity (m/sec)	2.2
Stainless Steel Drain Tray	Included

HOT WATER COIL - if required (Nom. rating)

Total Capacity (Kw)	27.0
Size FL x FH (mm)	900 x 600
Water In (°C)/Water Out (°C)	80°/60°
Coil Coating	Epoxy Coated
Face Velocity (m/sec)	2.2

DX COIL - if required (Nom. rating)

Total Capacity (Kw)	27.0
Size FL x FH (mm)	900 x 600
Refrigerant	R407C / R410A
Face Velocity (m/sec)	2.2

OPTIONS

Economy Cycle	Available
Return Air Bypass	Available
75mm Panel Casing	Available
Corrosion Resistant Lining	Available
Air Filters	Available

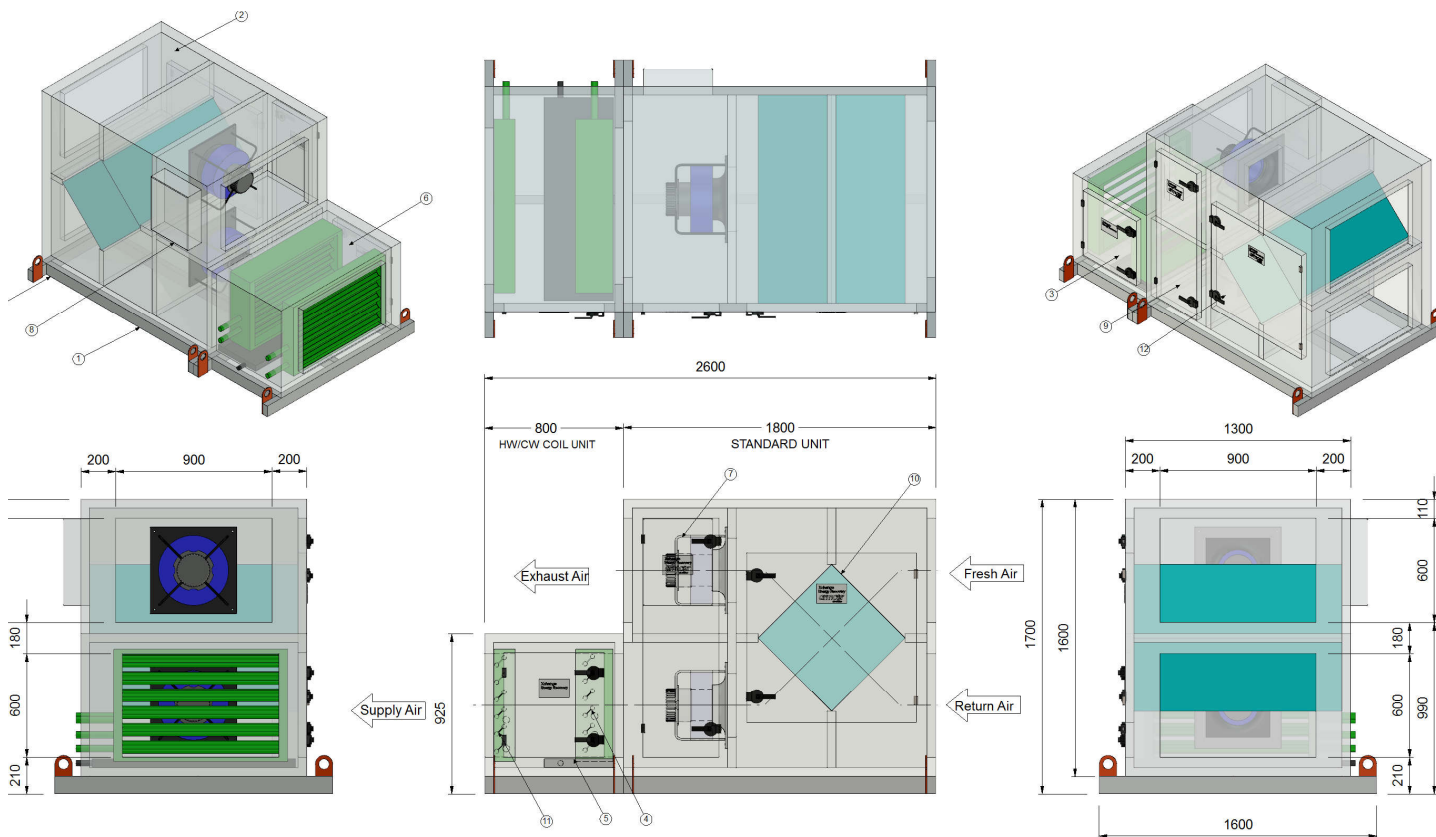
XCHANGE ERV

WITH CHILLED/HOT WATER COILS

XEC1200P3 TECHNICAL DATA



TECHNICAL DRAWINGS



DIMENSIONS	
Height (mm)	1700
Width (mm)	1300
Length (mm)	2600
Weight (Kg)	625
Access Clearance (mm)	1200 (Fan & Media Access)
Access Clearance (mm)	900 (Electrical Controls)

DUCT SIZES	
Exhaust Air (mm)	900 x 600
Return Air (mm)	900 x 600
Supply Air (mm)	900 x 600
Fresh Air (mm)	900 x 600

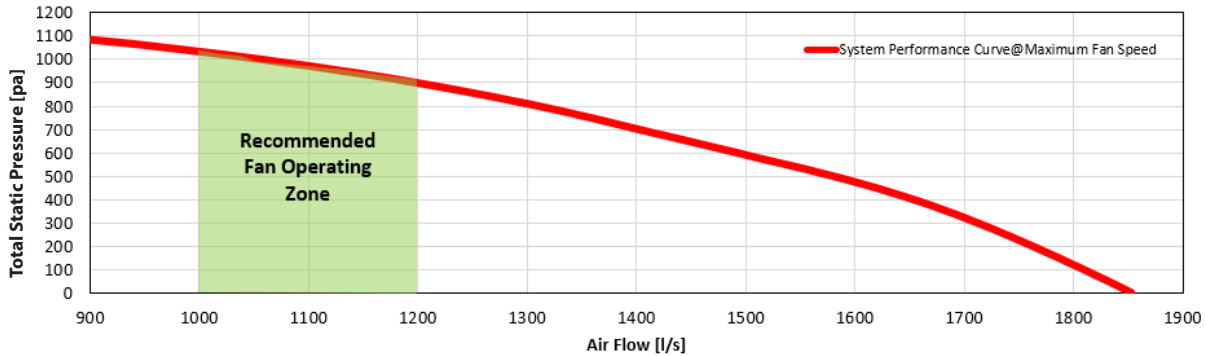
XCHANGE ERV

WITH CHILLED/HOT WATER COILS

XEC1200P3 TECHNICAL DATA



FAN PERFORMANCE DATA

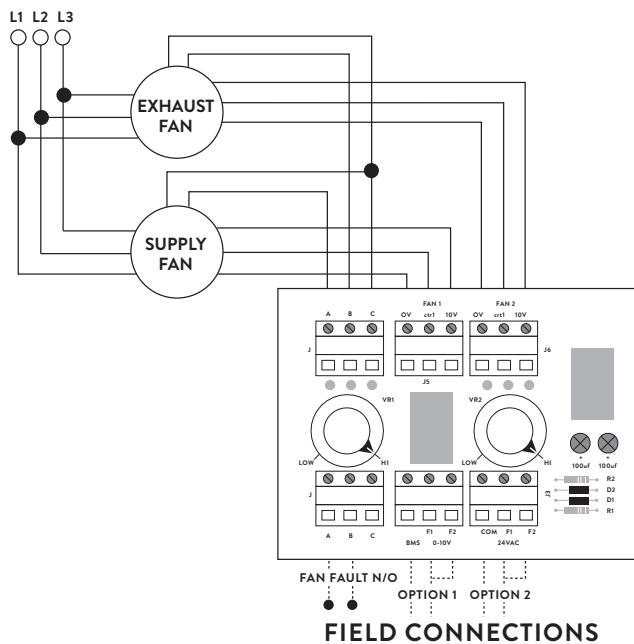


SOUND POWER LEVELS*

INLET RATING dB		OUTLET RATING dB	
63 Hz	65.8	63 Hz	68.2
125 Hz	65.1	125 Hz	66.5
250 Hz	75.3	250 Hz	75.5
500 Hz	74.1	500 Hz	77.4
1K Hz	69.5	1K Hz	79.5
2K Hz	70.3	2K Hz	76.7
4K Hz	67.3	4K Hz	72.3
8K Hz	67.1	8K Hz	70.1
LwA	77.1	LwA	83.3

* Sound Power Levels @ 500 Pa Total Static Pressure and 1200 l/s Total Air Volume.

WIRING DIAGRAM



OPTION 1

0-10V DC CONTROL VIA CONNECTION TO BMS

OPTION 2

24V AC ENABLE REGULATE FAN SPEED VIA POTS

Do not turn main power on/off to enable/disable the unit operation. This must be done through the control circuit.

Designed and manufactured in Australia

Armcor Air Solutions

109-111 Northcorp Blvd, Broadmeadows 3047

P 1800 244 556 E sales@armcor.com.au

www.armcor.com.au

