

1 2 3 4 5 6 7 8

A A

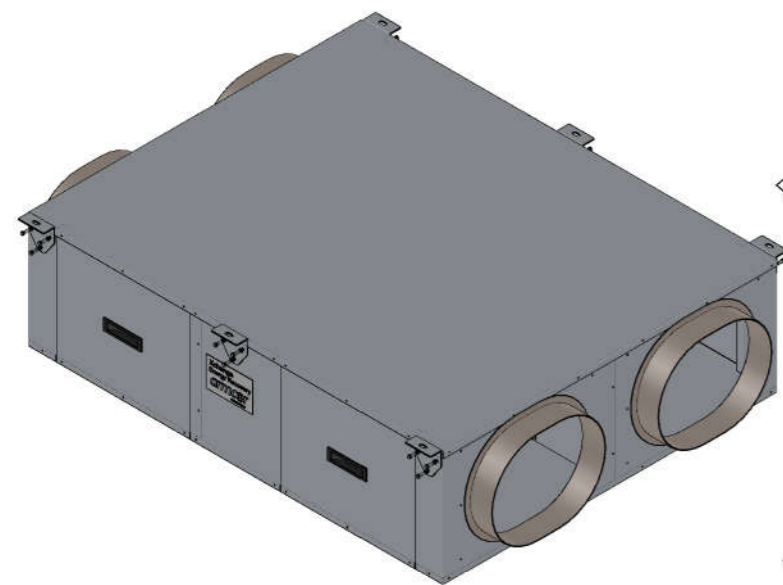
B B

C C

D D

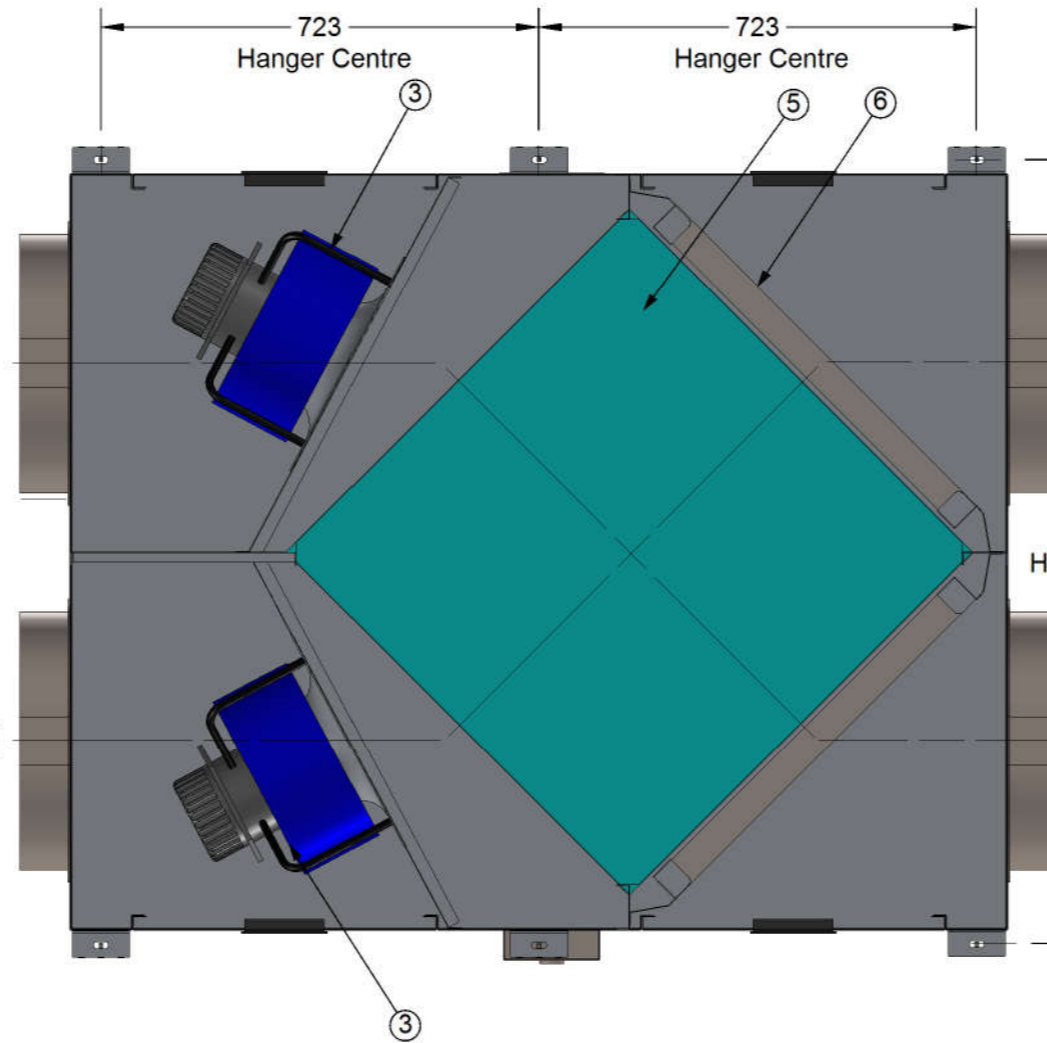
E E

F F



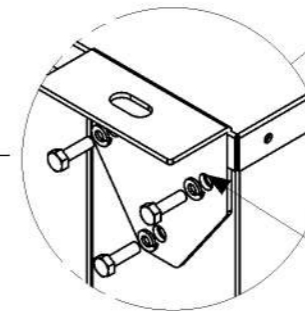
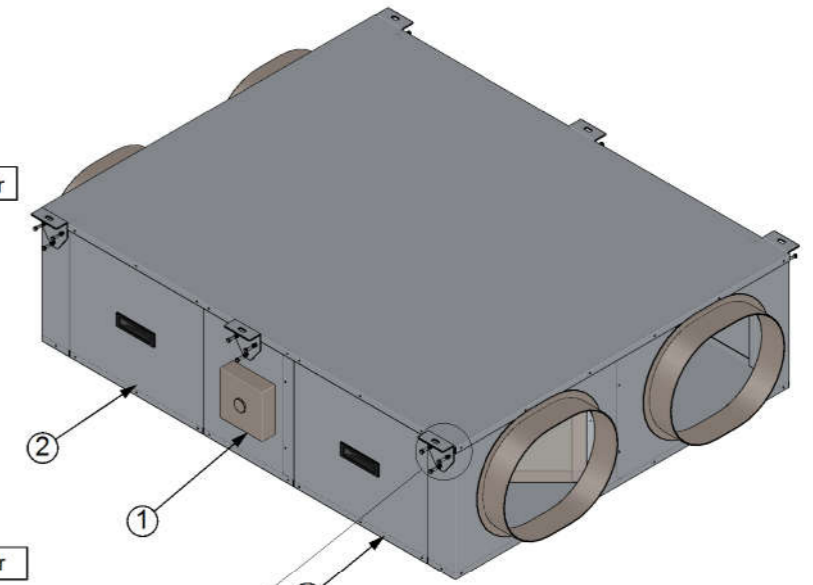
Supply Air

Exhaust Air

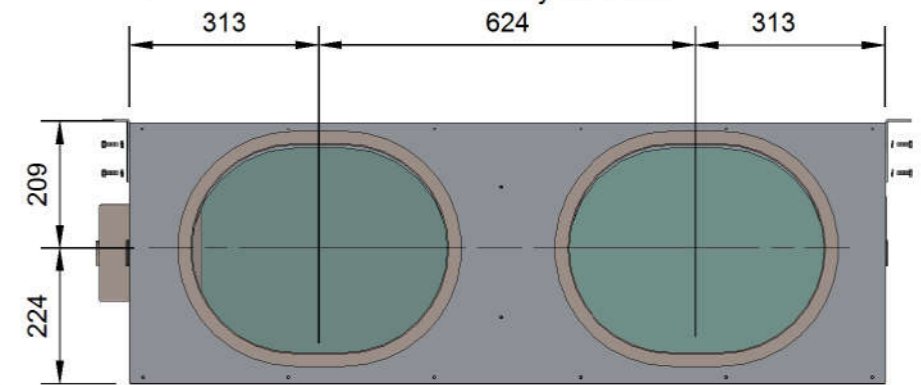
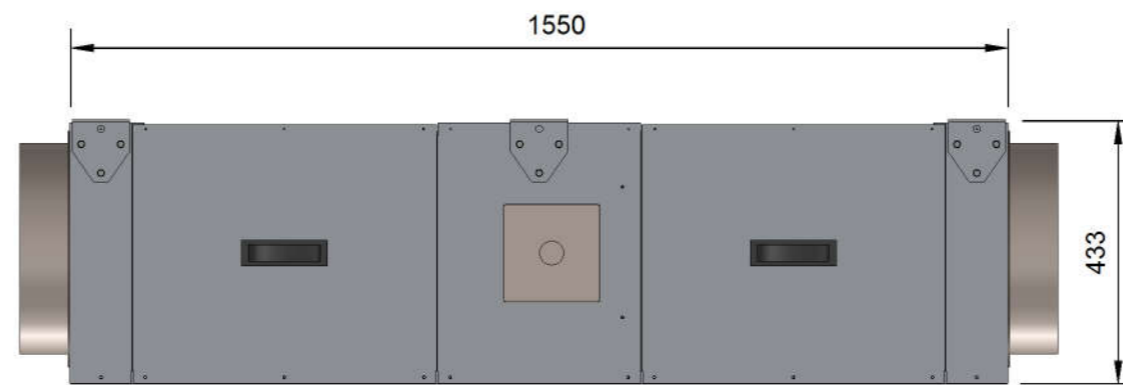
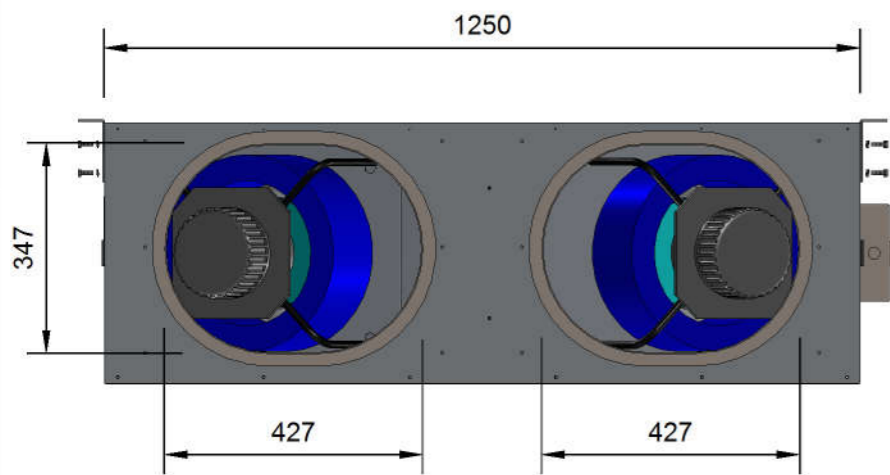


Return Air

Fresh Air



Nutserts Provided in Body for Bolts



Item	Description	Qty
1	Electrical Inlet	1
2	Fan Access Panel	4
3	Fan EC K3G 250	2
4	Filter Access Panel	4
5	Heat Exchange Media	1
6	Panel Prefilter 50mm	2

	Scale	General Tolerances acc to :		Project.	
	A3	ISO 2768-1 medium		STANDARD DRAWING	
	Armcor Air Solutions 109-111 Northcorp Blvd Broadmeadows VIC 3047 Phone 03 8301 9200 Web: www.armcor.com.au Email: sales@armcor.com.au		Drawn.	Status.	Date.
			PZ		18/05/2017 12:26 PM
Title.			Rev.		
EXCHANGE ERV - CEILING MOUNT			A		
Model.			SN.		
Model XCM600P1					

1 2 3 4 5 6 7 8