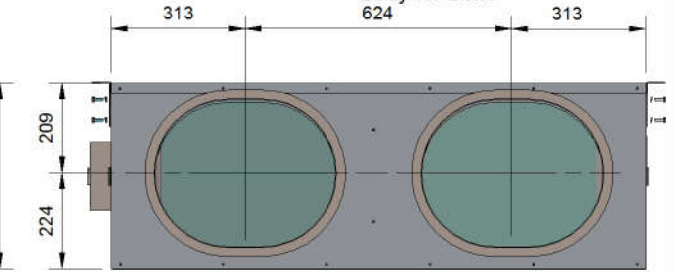
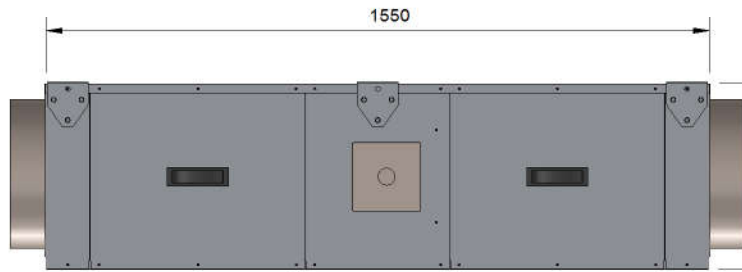
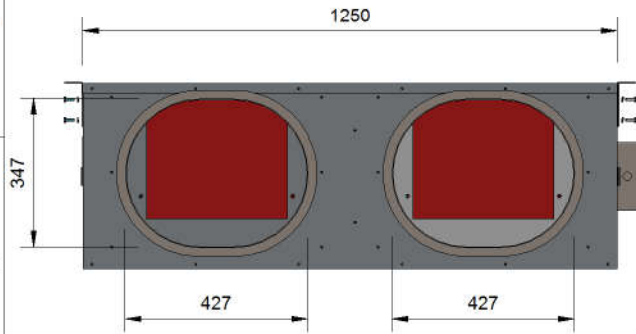
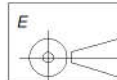


Nutserts Provided in Body for Bolts



Item	Description	Qty
1	AFMC Blower 10x10 750W	2
2	Electrical Inlet	1
3	Fan Access Panel	4
4	Filter Access Panel	4
5	Heat Exchange Media	1
6	Panel Prefilter 50mm	2



Scale  
A3

General Tolerances acc to:  
ISO 2768-1 medium

Armcor Air Solutions  
109-111 Northcorp Blvd Broadmeadows VIC 3047  
Phone 03 8301 9200 Web: www.armcor.com.au  
Email: sales@armcor.com.au

Project: <b>STANDARD DRAWING</b>		Date: 2/11/2016 10:18 AM
Drawn: P.Z	Status:	Rev. A
Title: <b>EXCHANGE ERV - CEILING MOUNT</b>		SN.
Model: <b>Model XCM600C1</b>		