

XCHANGE Energy Recovery

XCM-COMPACT MULTIFLOW ERV

XCM325P1 Technical Data



Technical Specifications

Nominal Airflow

Supply Air (l/sec)	325
Return Air (l/sec)	325

Supply Fan

Fan Type	EC Plug Fan
Fan Motor	EC External Rotor
Motor Power (Watts)	420
External Static (Pa)	250
Fan Diameter	225
Motor Start	Soft Start
Control Input	0-10V DC
Motor Protection	Thermal Overload

Exhaust Fan

Fan Type	EC Plug Fan
Fan Motor	EC External Rotor
Motor Power (Watts)	420
External Static (Pa)	250
Fan Diameter	225
Motor Start	Soft Start
Control Input	0-10V DC
Motor Protection	Thermal Overload

Electrical

Supply Fan (A)	1.2
Exhaust Fan (A)	1.2
Nominal Run Current (A)	2.4
Maximum Full Load (A)	4.6
Volt/Phase	240V/1ph
Connection	Lead & Plug

Controls

0-10V DC (Fan Control)	Included
24V AC Control	Included
Fan Fault	Only Available if Requested

Heat Exchanger

*Rated at standard conditions of 35.5° db/24.0° wb

Enthalpy Media	Standard (Model XCM325P1E)
Sensible Media	Available (Model XCM325P1S)
Corrosion Resistant Media	Available
Velocity (m/sec)	1.63
Pressure Drop (Pa)	86.6
Kw Recovered (Cooling)*	4.30
Kw Recovered (Heating)*	5.49

Cabinet Construction

Casing	Galvanised Metal
Insulation Thickness (mm)	15/25
Hanging Brackets	Included

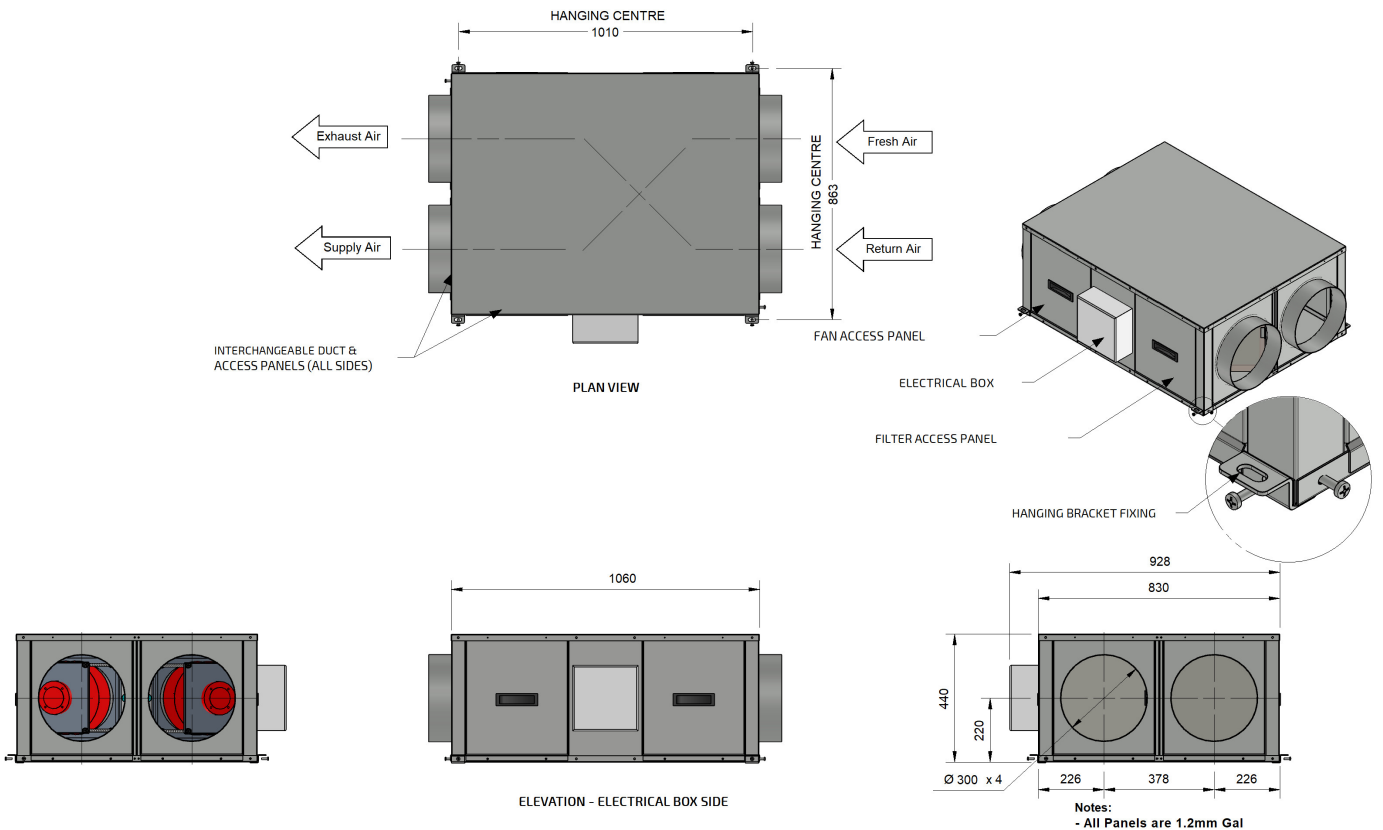
Filters

Type	45mm V Form Panel - G4
Disposable / Washable	Disposable
Size L x W x D (mm)	495 x 395 x 45
Number of Filters	2

Options

Internal Drain Tray	Available (Model XCM325P1-T)
---------------------	------------------------------

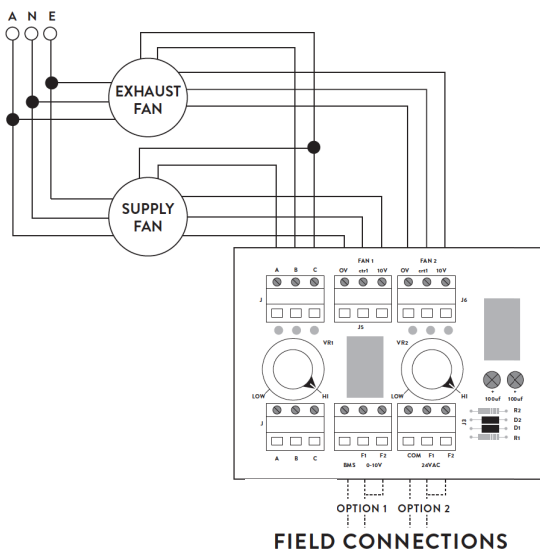
Technical Drawings – XCM325P1



Dimensions	
Height (mm)	440
Width (mm)	830
Length (mm)	1060
Weight (Kg)	100
Access Clearance (mm)	600 (Controls & Filter Access)
Access Clearance (mm)	600 (Filter Access)

Duct Sizes	
Exhaust Air (mm)	300 Ø
Return Air (mm)	300 Ø
Supply Air (mm)	300 Ø
Fresh Air (mm)	300 Ø

Wiring Diagram



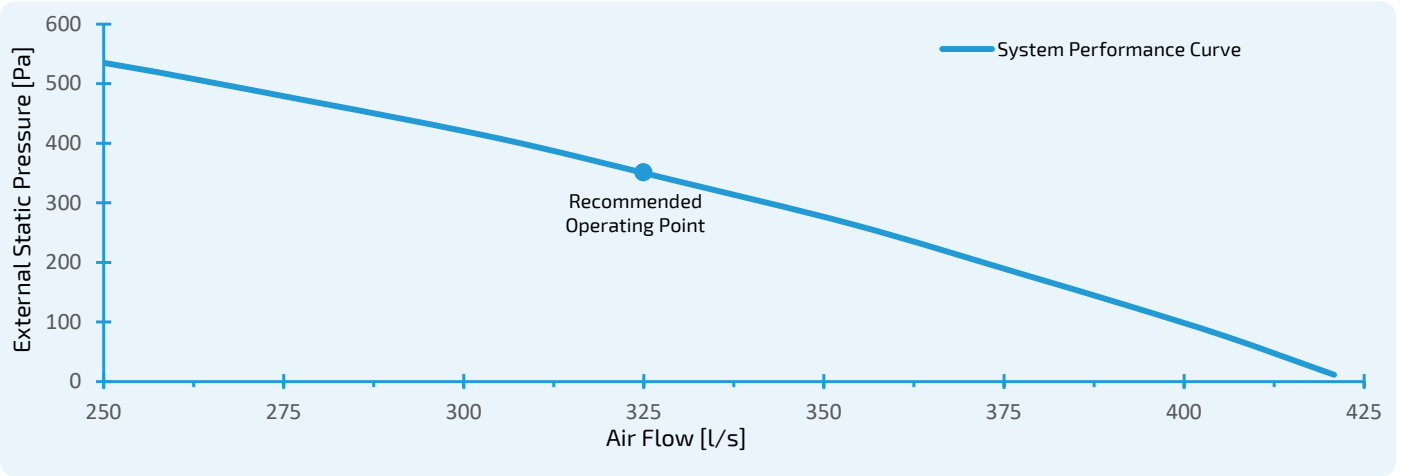
OPTION 1
 0-10V DC CONTROL VIA CONNECTION TO BMS
 0V = STOP / 1.5V = START / 10V = FULL SPEED

OPTION 2
 24V AC ENABLE REGULATE FAN SPEED VIA POTS
 EXTERNAL 24V PROVIDED BY OTHERS

Do not turn main power on/off to enable/disable the unit operation. This must be done through the control circuit.

FAN FAULT NOT AVAILABLE.

Fan Performance Data

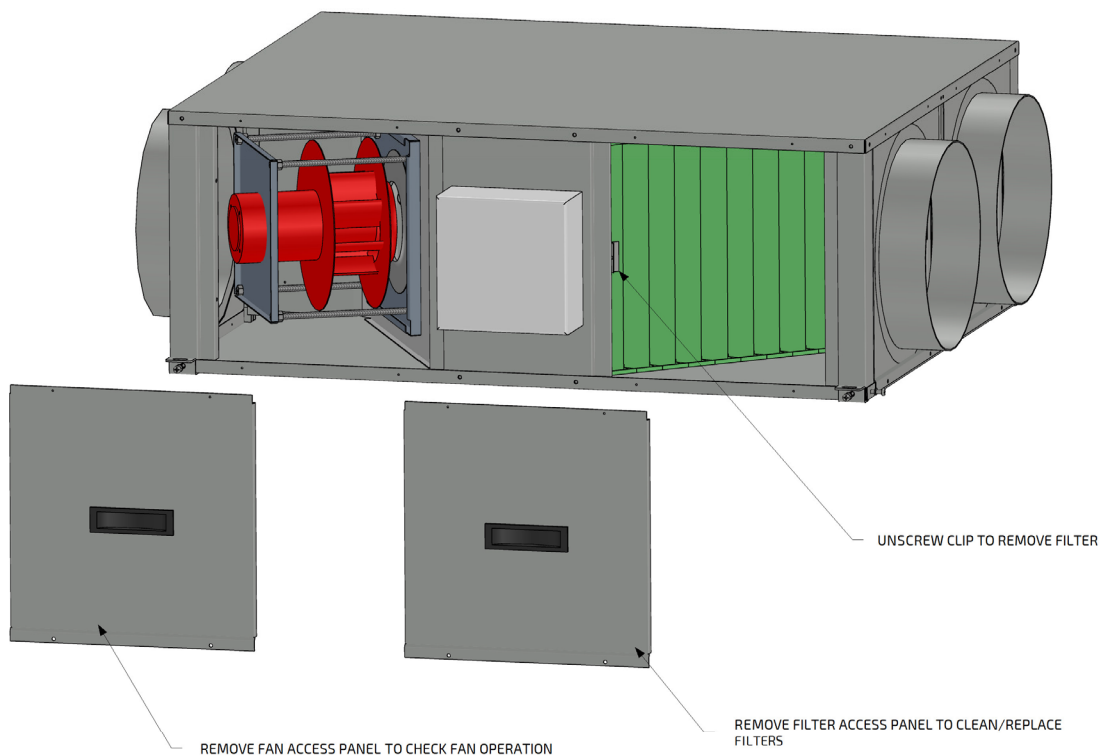


Sound Power Levels*

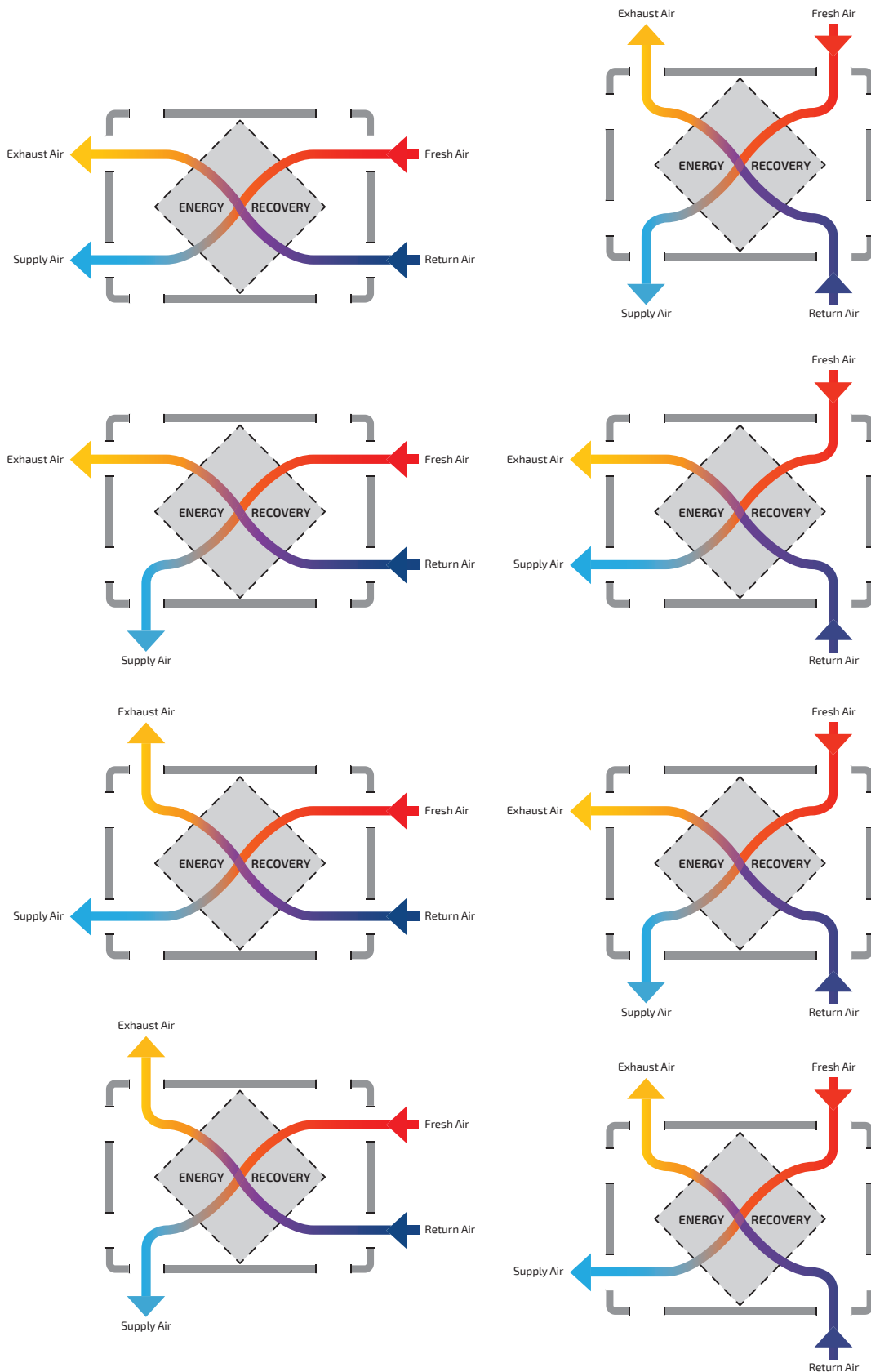
Inlet Rating dB		Outlet Rating dB	
63 Hz	74	63 Hz	76
125 Hz	67	125 Hz	69
250 Hz	74	250 Hz	76
500 Hz	83	500 Hz	85
1k Hz	75	1k Hz	77
2k Hz	68	2k Hz	75
4k Hz	64	4k Hz	76
8k Hz	69	8k Hz	72
LwA	85	LwA	87

* Sound Power Levels Recommended Operating Point.

Filter and Fan Access



Ductwork Connections



RETURN AIR: Air that is drawn from conditioned areas.

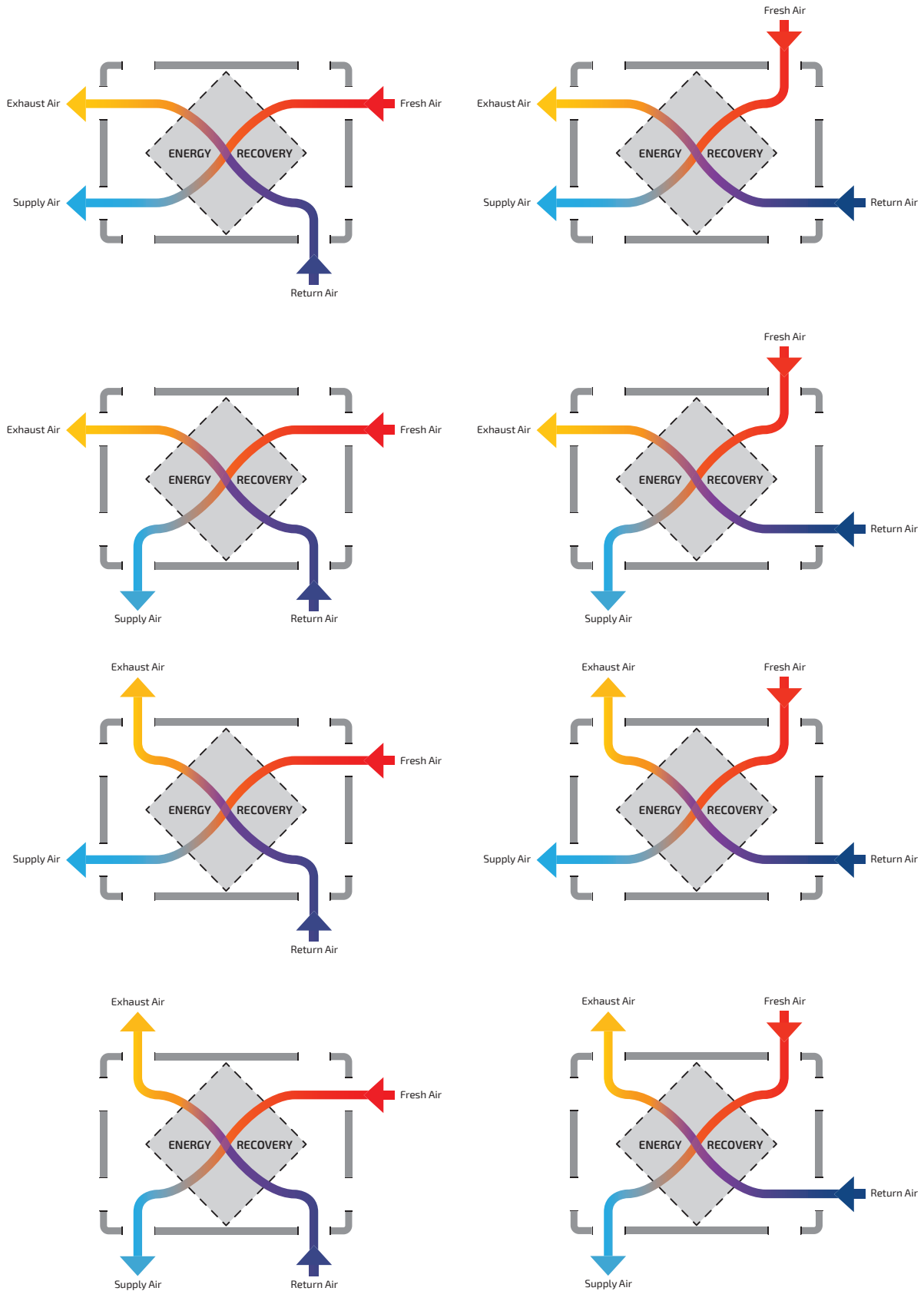
EXHAUST AIR: Ducted to outside the building or into the roof space if adequate ventilation to the outside air is available.

FRESH AIR: Use a fresh air cowl or grill to introduce fresh air.

SUPPLY AIR: Connect to the airconditioning system or directly into the conditioned area.

XCHANGE Energy Recovery

XCM-COMPACT MULTIFLOW ERV – XCM325P1 Technical Data



RETURN AIR: Air that is drawn from conditioned areas.

EXHAUST AIR: Ducted to outside the building or into the roof space if adequate ventilation to the outside air is available.

FRESH AIR: Use a fresh air cowl or grill to introduce fresh air.

SUPPLY AIR: Connect to the airconditioning system or directly into the conditioned area.

