

# ROTARY HEAT WHEEL ERV

EXTERNAL MOUNT



## REM8000P3 TECHNICAL DATA

### TECHNICAL SPECIFICATIONS

NOMINAL AIRFLOW	
Supply Air (l/sec)	8000
Exhaust Air (l/sec)	8000
Return Air (l/sec)	8000
Fresh Air (l/sec)	8000

SUPPLY FAN	
Fan Type	Backward Curve
Fan Motor	EC Motor
Motor Power (Watts)	2825
External Static (Pa)	250
Fan Diameter	500
Number of Fans	4

EXHAUST FAN	
Fan Type	EC Plug
Fan Motor	EC Motor
Motor Power (Watts)	2825
External Static (Pa)	250
Fan Diameter	500
Number of Fans	4

ELECTRICAL	
Supply Fan FLA (A)	17.2-17.2-17.2
Exhaust Fan FLA (A)	17.2-17.2-17.2
Rotary Wheel (A)	1.4-1.4-1.4
Nominal Run Current	35.8-35.8-35.8
Volt/Phase	415V/3ph
Switchboard	Yes
Circuit Breakers	Yes

CONTROLS	
0-10V DC (Fan Control)	Included
24V AC Enable Heat Wheel	Included
Heat Wheel VSD	Available

ROTARY HEAT WHEEL	
*RATED AT STANDARD CONDITIONS OF SUMMER 35.5°db/40%RH WINTER 3°db/68%RH	
Enthalpy Heat Wheel	Standard
Sensible Heat Wheel	Available
Wheel Diameter (mm)	2 x 2340
Efficiency %	84.1
Size L x W x D (mm)	2500 x 2500 x 440
Media Face Velocity (m/sec)	2.12
Pressure Drop (Pa)	156
Kw Recovered (Cooling)*	137.5
Kw Recovered (Heating)*	230.70

CABINET CONSTRUCTION	
Casing	50mm Panel
Insulation Value	R2.0
Side Access Panels	Included

FILTERS	
Type	Deep Bed Filters F5
Size L x W x D (mm)	610 x 610 x 380
Number of Filters	14
Size L x W x D (mm)	610 x 305 x 380
Number of Filters	14

OPTIONS	
Chilled Water/Hot Water Coil	Available (Model REC8000)
Evaporative Cooling Pad	Available (Model REI8000)
Economy Cycle	Available
Return Air Bypass	Available
75mm Panel Casing	Available
Corrosion Resistant Lining	Available
Stainless Steel Drain Tray	Available

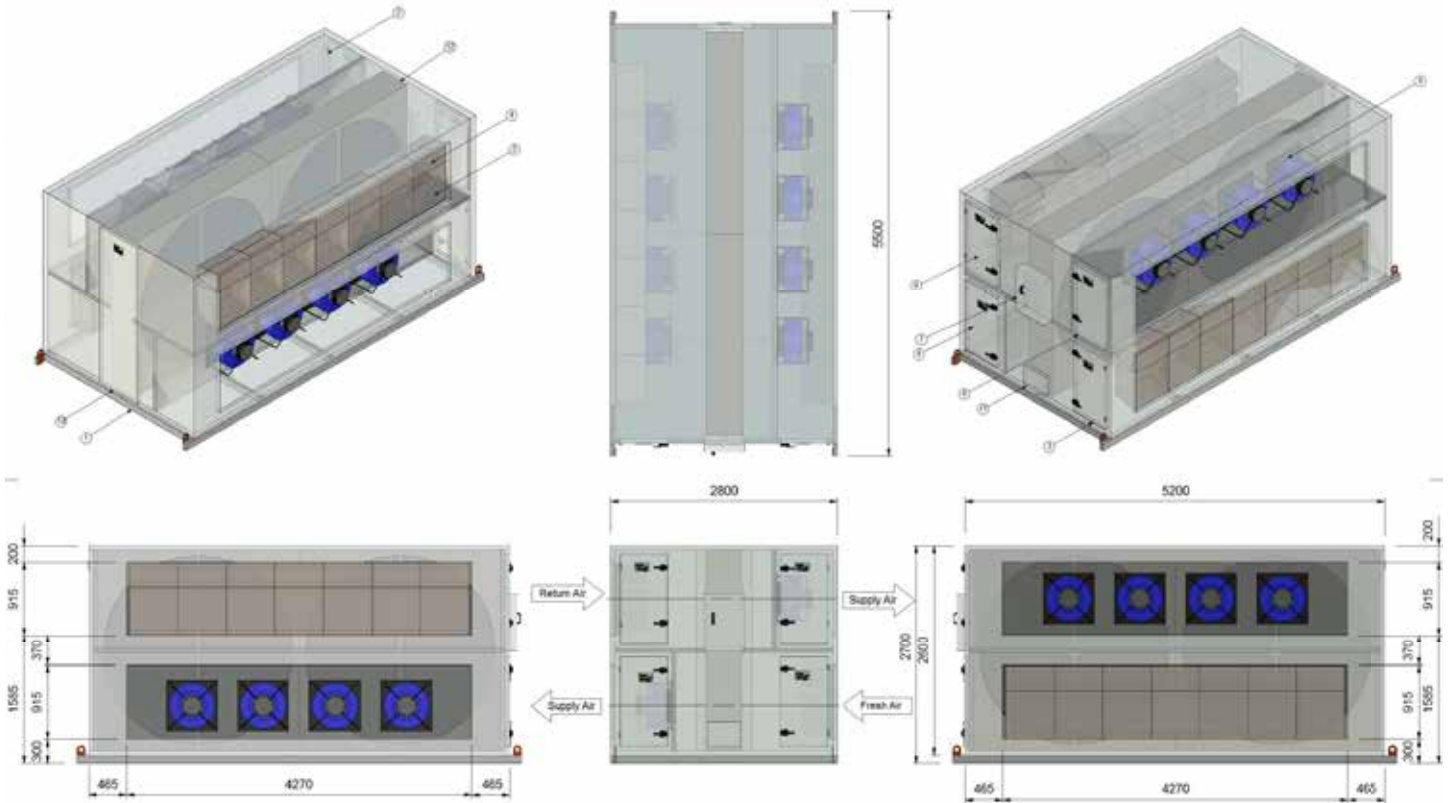
# ROTARY HEAT WHEEL ERV

EXTERNAL MOUNT

## REM8000P3 TECHNICAL DATA



### TECHNICAL DRAWINGS



DIMENSIONS	
Height (mm)	2700
Width (mm)	5200
Length (mm)	2800
Weight (Kg)	3950
Access Clearance (mm)	1200 (Controls & Filter Access)
Access Clearance (mm)	300

DUCT SIZES	
Exhaust Air (mm)	4270 x 915
Return Air (mm)	4270 x 915
Supply Air (mm)	4270 x 915
Fresh Air (mm)	4270 x 915

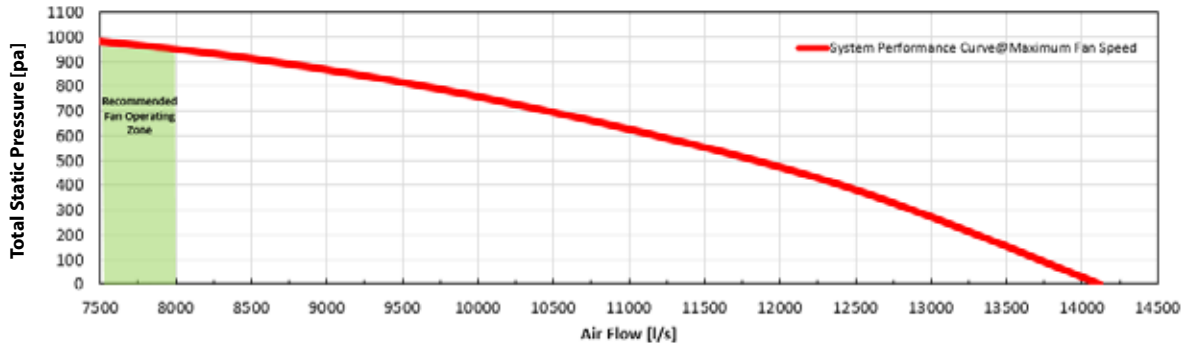
# ROTARY HEAT WHEEL ERV

EXTERNAL MOUNT

## REM8000P3 TECHNICAL DATA



### FAN PERFORMANCE DATA

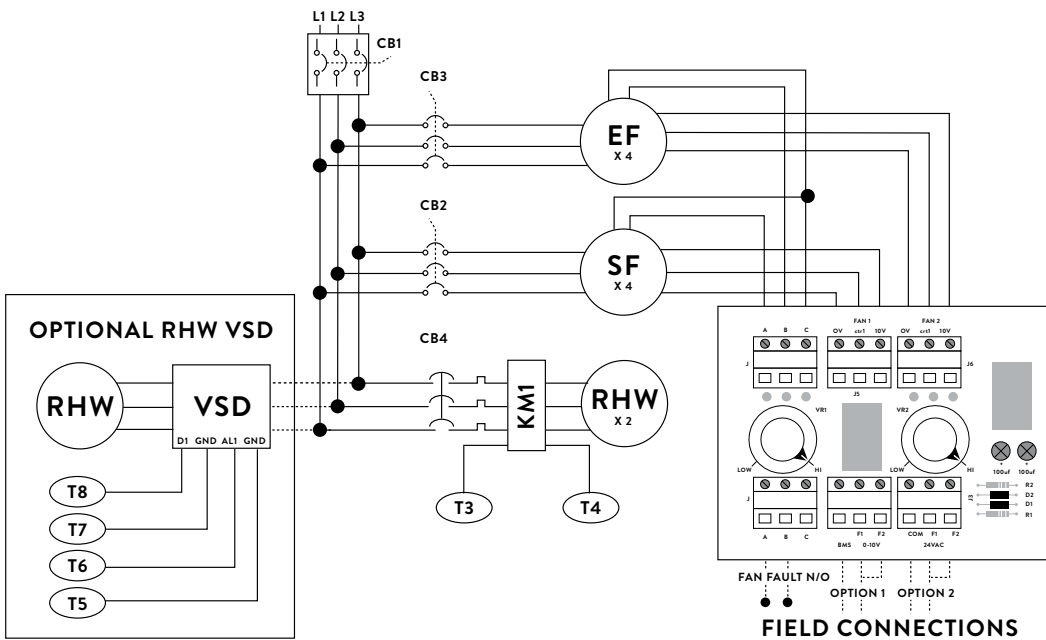


### SOUND POWER LEVELS\*

INLET RATING dB		OUTLET RATING dB	
63 Hz	69.2	63 Hz	70.8
125 Hz	73.8	125 Hz	75.3
250 Hz	75.8	250 Hz	76.4
500 Hz	72.6	500 Hz	78
1K Hz	70.7	1K Hz	79.4
2K Hz	70.4	2K Hz	76.3
4K Hz	68.3	4K Hz	72.9
8K Hz	64	8K Hz	67.5
LwA	77.1	LwA	83.2

\* Sound Power Levels @ 650 Pa Total Static Pressure and 8000 l/s Total Air Volume.

### WIRING DIAGRAM



#### OPTION 1

0-10V DC CONTROL  
VIA CONNECTION TO BMS

#### OPTION 2

24V AC ENABLE  
REGULATE FAN SPEED  
VIA POTS

Designed and manufactured in Australia

#### Armcor Air Solutions

109-111 Northcorp Blvd, Broadmeadows 3047

P 1800 244 556 E sales@armcor.com.au

www.armcor.com.au

