

ROTARY HEAT WHEEL ERV

EXTERNAL MOUNT



REM500P1 TECHNICAL DATA

TECHNICAL SPECIFICATIONS

| NOMINAL AIRFLOW | | ROTARY HEAT WHEEL | |
|--------------------------|--------------------|-------------------------------|--------------------------|
| Supply Air (l/sec) | 300 - 500 | Enthalpy Heat Wheel | Standard |
| Exhaust Air (l/sec) | 300 - 500 | Sensible Heat Wheel | Available |
| Return Air (l/sec) | 300 - 500 | Wheel Diameter (mm) | 705 |
| Fresh Air (l/sec) | 300 - 500 | Efficiency % | 81.3 |
| SUPPLY FAN | | Size L x W x D (mm) | 800 x 950 x 400 |
| Fan Type | EC Plug | Media Face Velocity (m/sec) | 2.6 |
| Fan Motor | EC Motor | Pressure Drop (Pa) | 193 |
| Motor Power (Watts) | 750 | Kw Recovered (Cooling)* | 7.42 |
| External Static (Pa) | 200 | Kw Recovered (Heating)* | 12.44 |
| Fan Diameter | 250 | CABINET CONSTRUCTION | |
| Number of Fans | 1 | Casing | 50mm Panel |
| EXHAUST FAN | | Insulation Value | R2.0 |
| Fan Type | EC Plug | Side Access Panels | Included |
| Fan Motor | EC Motor | FILTERS | |
| Motor Power (Watts) | 750 | Type | Deep Bed Filters F5 |
| External Static (Pa) | 200 | Size L x W x D (mm) | 610 x 305 x 380 |
| Fan Diameter | 250 | Number of Filters | 2 |
| Number of Fans | 1 | OPTIONS | |
| ELECTRICAL | | Chilled Water/ Hot Water Coil | Available (Model REC500) |
| Supply Fan FLA (A) | 3.0 | Evaporative Cooling Pad | Available (Model REI500) |
| Exhaust Fan FLA (A) | 3.0 | Economy Cycle | Available |
| Rotary Wheel (A) | 0.36 - 0.36 - 0.36 | Return Air Bypass | Available |
| Nominal Run Current | 3.36 - 0.36 - 3.36 | 75mm Panel Casing | Available |
| Volt/Phase | 415V/3ph | Corrosion Resistant Lining | Available |
| Switchboard | Yes | Stainless Steel Drain Tray | Available |
| Circuit Breakers | Yes | CONTROLS | |
| CONTROLS | | 0-10V DC (Fan Control) | Included |
| 0-10V DC (Fan Control) | Included | 24V AC Enable Heat Wheel | Included |
| 24V AC Enable Heat Wheel | Included | Heat Wheel VSD | Available |
| Heat Wheel VSD | Available | | |

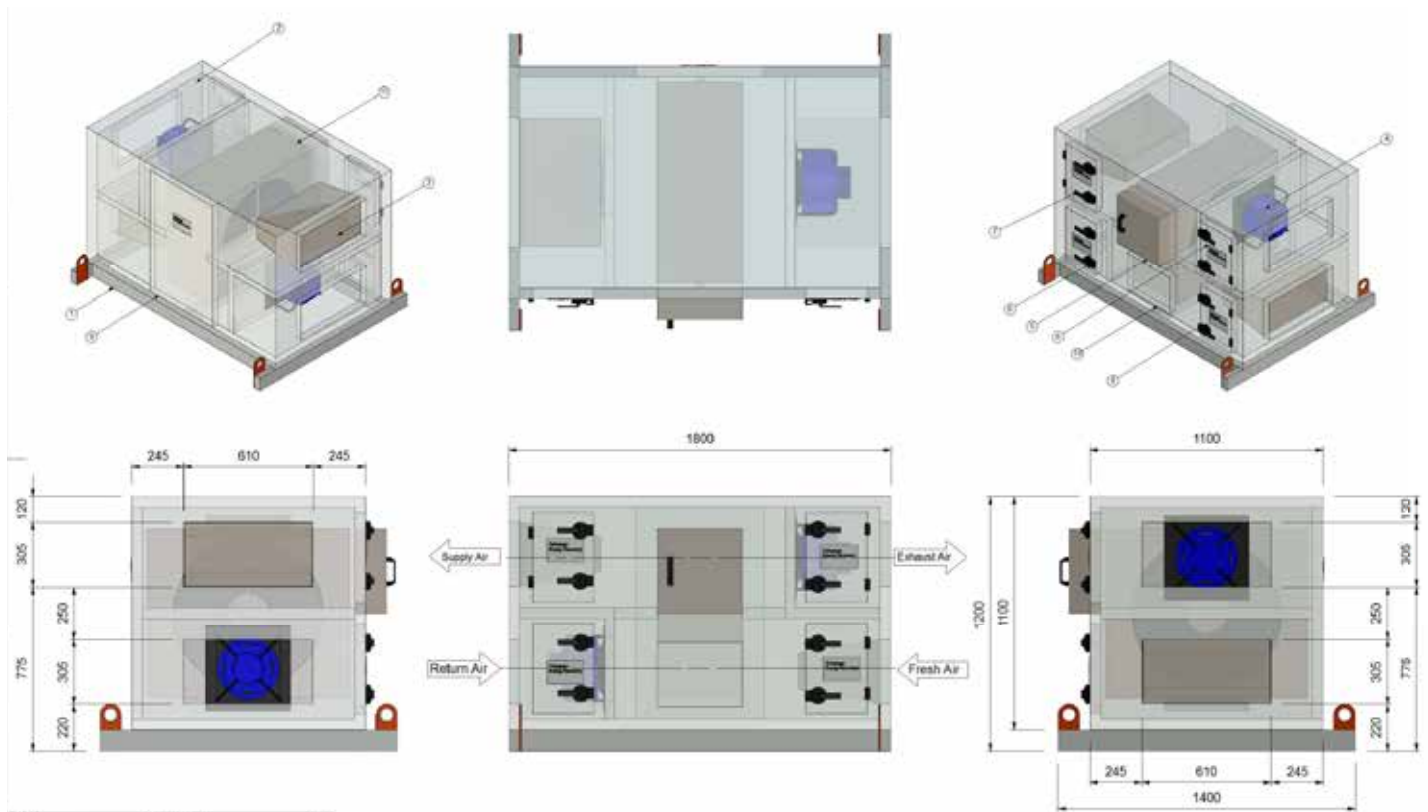
ROTARY HEAT WHEEL ERV

EXTERNAL MOUNT

REM500P1 TECHNICAL DATA



TECHNICAL DRAWINGS



| DIMENSIONS | |
|-----------------------|--------------------------------|
| Height (mm) | 1200 |
| Width (mm) | 1100 |
| Length (mm) | 1800 |
| Weight (Kg) | 425 |
| Access Clearance (mm) | 800 (Controls & Filter Access) |
| Access Clearance (mm) | 300 |

| DUCT SIZES | |
|------------------|-----------|
| Exhaust Air (mm) | 610 x 305 |
| Return Air (mm) | 610 x 305 |
| Supply Air (mm) | 610 x 305 |
| Fresh Air (mm) | 610 x 305 |

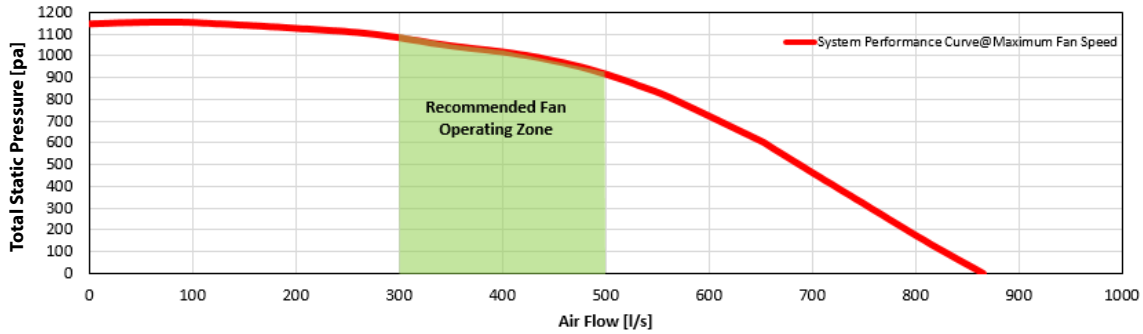
ROTARY HEAT WHEEL ERV

EXTERNAL MOUNT

REM500P1 TECHNICAL DATA



FAN PERFORMANCE DATA

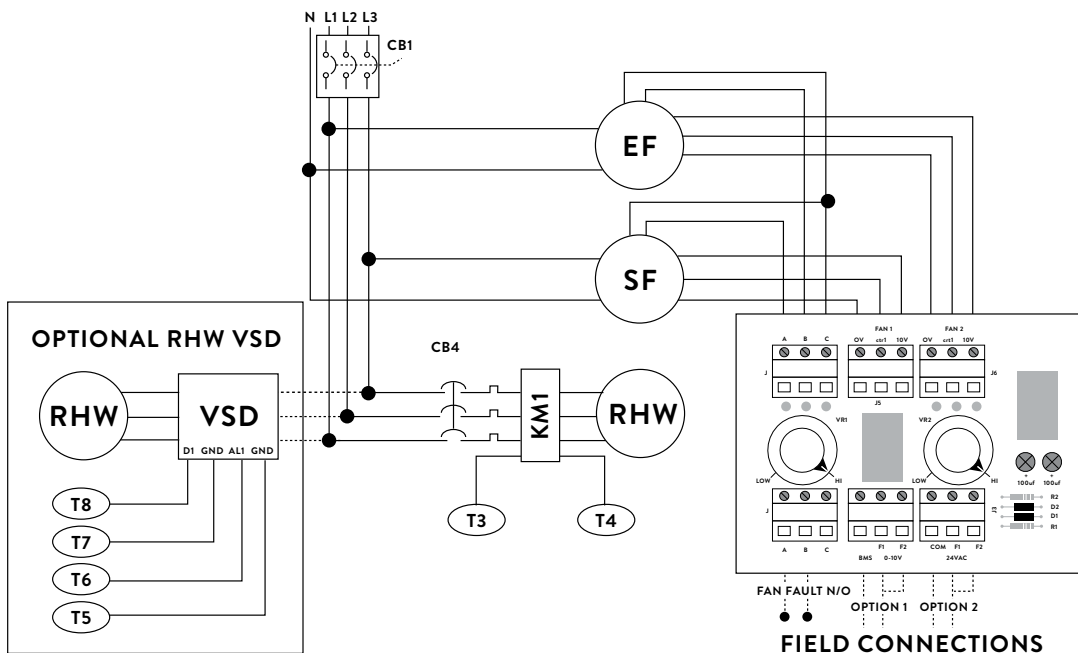


SOUND POWER LEVELS*

| INLET RATING dB | | OUTLET RATING dB | |
|-----------------|------|------------------|------|
| 63 Hz | 64.5 | 63 Hz | 67.2 |
| 125 Hz | 63.5 | 125 Hz | 65.1 |
| 250 Hz | 66.5 | 250 Hz | 67.1 |
| 500 Hz | 70.8 | 500 Hz | 71.6 |
| 1K Hz | 67.7 | 1K Hz | 73.6 |
| 2K Hz | 67.2 | 2K Hz <td 75.3 | |
| 4K Hz | 66.9 | 4K Hz | 72.3 |
| 8K Hz | 63.9 | 8K Hz | 68.8 |
| LwA | 74.3 | LwA | 80.1 |

* Sound Power Levels @ 500 Pa Total Static Pressure and 500 l/s Total Air Volume.

WIRING DIAGRAM



- OPTION 1**
0-10V DC CONTROL
VIA CONNECTION TO BMS
- OPTION 2**
24V AC ENABLE
REGULATE FAN SPEED
VIA POTS

Designed and manufactured in Australia

Armcor Air Solutions

109-111 Northcorp Blvd, Broadmeadows 3047

P 1800 244 556 E sales@armcor.com.au

www.armcor.com.au

