

ROTARY HEAT WHEEL ERV

EXTERNAL MOUNT



REM3500P3 TECHNICAL DATA

TECHNICAL SPECIFICATIONS

NOMINAL AIRFLOW		ROTARY HEAT WHEEL	
Supply Air (l/sec)	3000 - 3500	Enthalpy Heat Wheel	Standard
Exhaust Air (l/sec)	3000 - 3500	Sensible Heat Wheel	Available
Return Air (l/sec)	3000 - 3500	Wheel Diameter (mm)	2090
Fresh Air (l/sec)	3000 - 3500	Efficiency %	84.4
SUPPLY FAN		Size L x W x D (mm)	2250 x 2250 x 440
Fan Type	EC Plug	Media Face Velocity (m/sec)	2.07
Fan Motor	EC Motor	Pressure Drop (Pa)	152
Motor Power (Watts)	5700	Kw Recovered (Cooling)*	53.65
External Static (Pa)	250	Kw Recovered (Heating)*	90.02
Fan Diameter	500	CABINET CONSTRUCTION	
Number of Fans	1	Casing	50mm Panel
EXHAUST FAN		Insulation Value	R2.0
Fan Type	EC Plug	Side Access Panels	Included
Fan Motor	EC Motor	FILTERS	
Motor Power (Watts)	5700	Type	Deep Bed Filters F5
External Static (Pa)	250	Size L x W x D (mm)	610 x 610 x 380
Fan Diameter	500	Number of Filters	6
Number of Fans	1	Size L x W x D (mm)	610 x 305 x 380
ELECTRICAL		Number of Filters	6
Supply Fan FLA (A)	0.9 - 0.9 - 0.9	OPTIONS	
Exhaust Fan FLA (A)	0.9 - 0.9 - 0.9	Chilled Water/Hot Water Coil	Available (Model REC3500)
Rotary Wheel (A)	0.7 - 0.7 - 0.7	Evaporative Cooling Pad	Available (Model REI3500)
Nominal Run Current	18.7 - 18.7 - 18.7	Economy Cycle	Available
Volt/Phase	415V/3ph	Return Air Bypass	Available
Switchboard	Yes	75mm Panel Casing	Available
Circuit Breakers	Yes	Corrosion Resistant Lining	Available
CONTROLS		Stainless Steel Drain Tray	Available
0-10V DC (Fan Control)	Included		
24V AC Enable Heat Wheel	Included		
Heat Wheel VSD	Available		

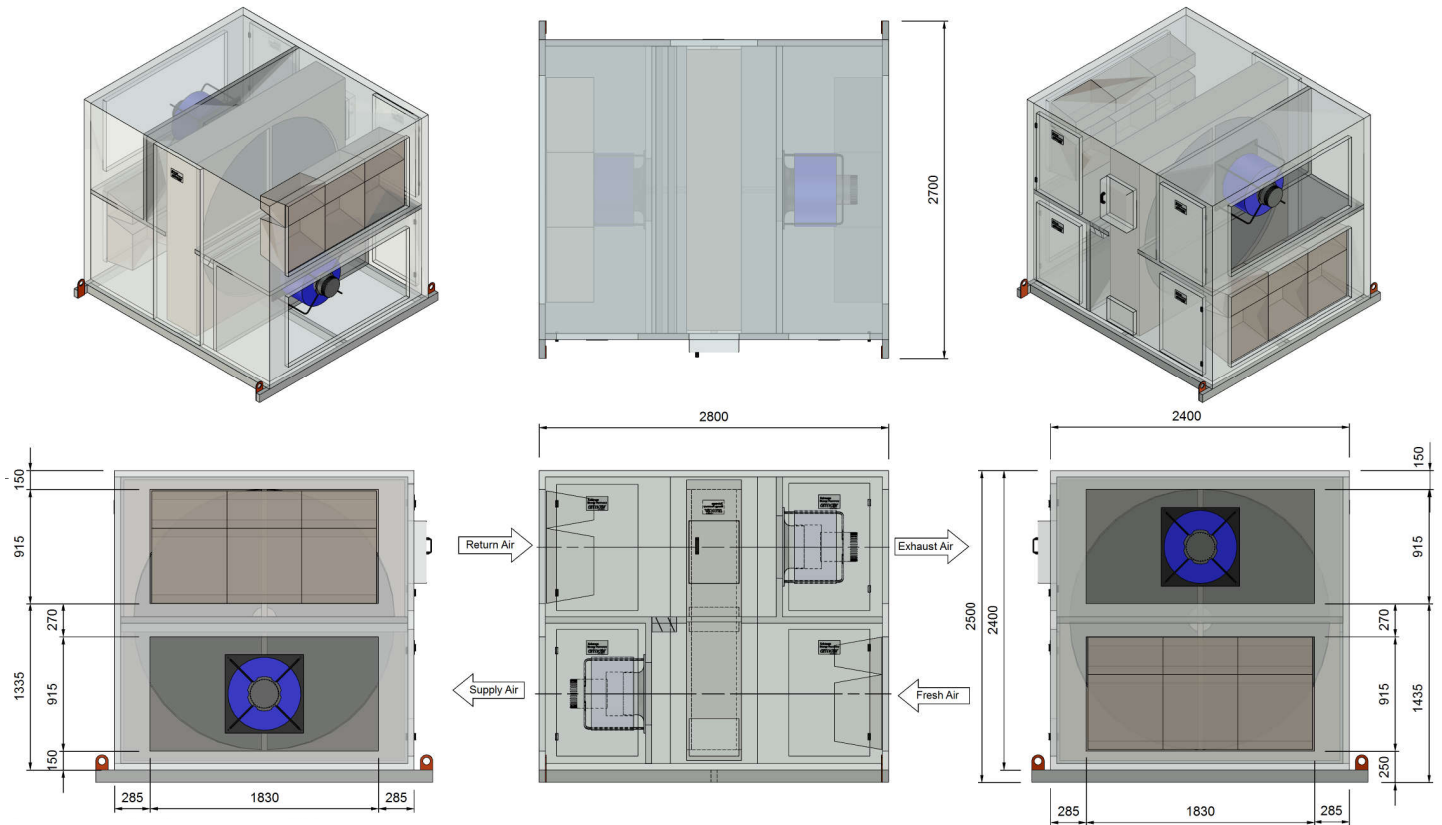
ROTARY HEAT WHEEL ERV

EXTERNAL MOUNT

REM3500P3 TECHNICAL DATA



TECHNICAL DRAWINGS



DIMENSIONS

Height (mm)	2500
Width (mm)	2400
Length (mm)	2800
Weight (Kg)	1470
Access Clearance (mm)	1200 (Controls & Filter Access)
Access Clearance (mm)	300

DUCT SIZES

Exhaust Air (mm)	1830 x 915
Return Air (mm)	1830 x 915
Supply Air (mm)	1830 x 915
Fresh Air (mm)	1830 x 915

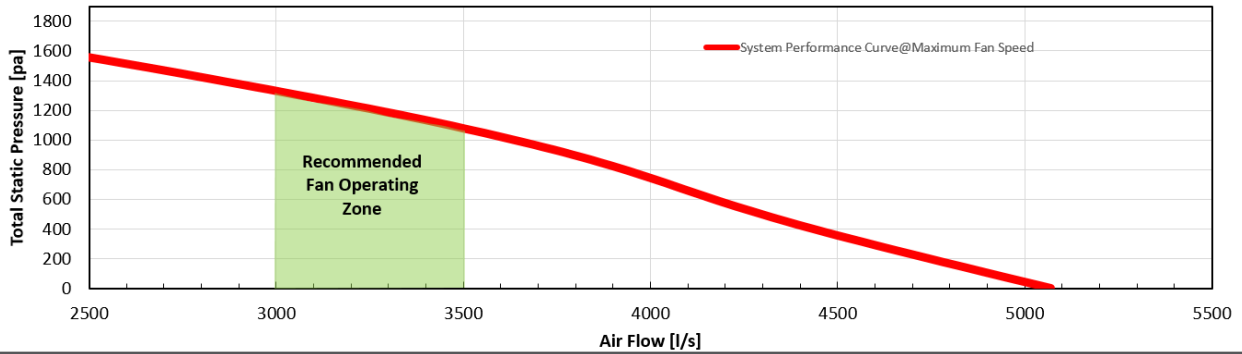
ROTARY HEAT WHEEL ERV

EXTERNAL MOUNT

REM3500P3 TECHNICAL DATA



FAN PERFORMANCE DATA

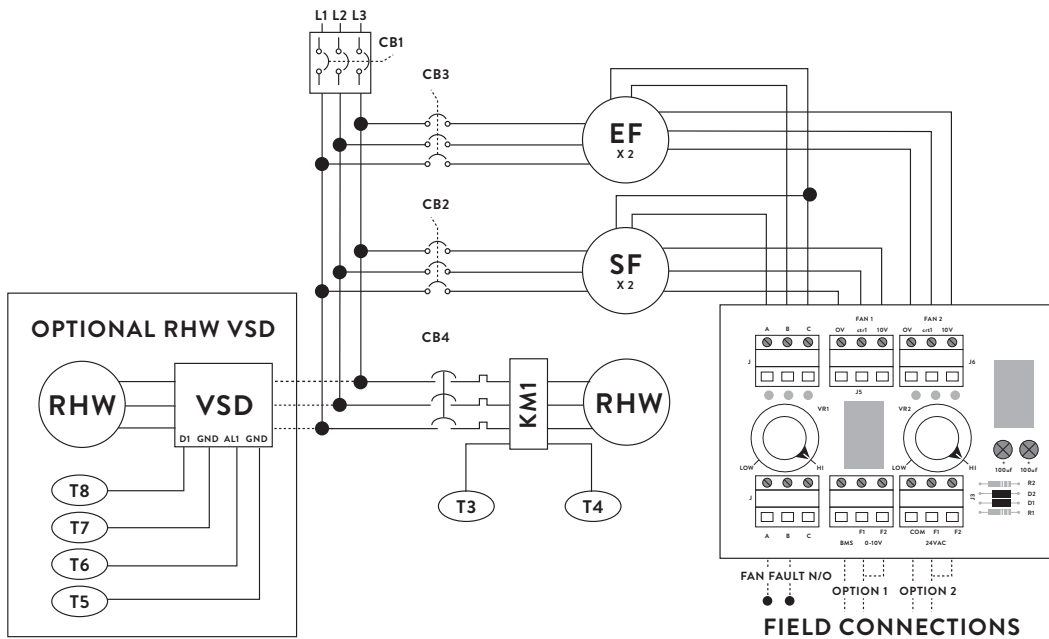


SOUND POWER LEVELS*

INLET RATING dB		OUTLET RATING dB	
63 Hz	56.3	63 Hz	57.5
125 Hz	73.6	125 Hz	65.7
250 Hz	73.8	250 Hz	68.2
500 Hz	68.1	500 Hz	69.7
1K Hz	70.1	1K Hz	68.6
2K Hz	70.8	2K Hz	66.4
4K Hz	83.3	4K Hz	74.2
8K Hz	69.2	8K Hz	61.2
LwA	84.9	LwA	77.2

* Sound Power Levels @ 550 Pa Total Static Pressure and 3500 l/s Total Air Volume.

WIRING DIAGRAM



OPTION 1

0-10V DC CONTROL
VIA CONNECTION TO BMS

OPTION 2

24V AC ENABLE
REGULATE FAN SPEED
VIA POTS

Designed and manufactured in Australia

Armcor Air Solutions

109-111 Northcorp Blvd, Broadmeadows 3047

P 1800 244 556 E sales@armcor.com.au

www.armcor.com.au

