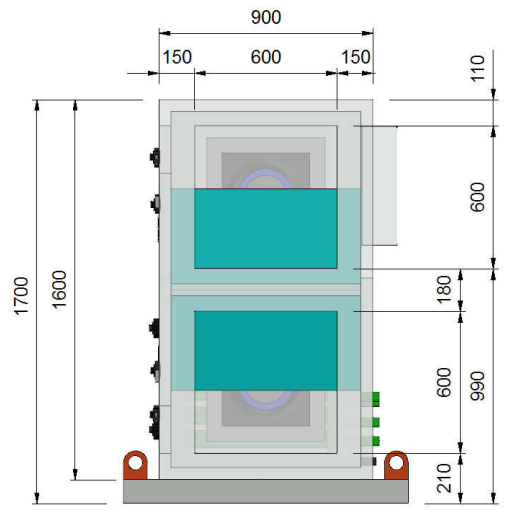
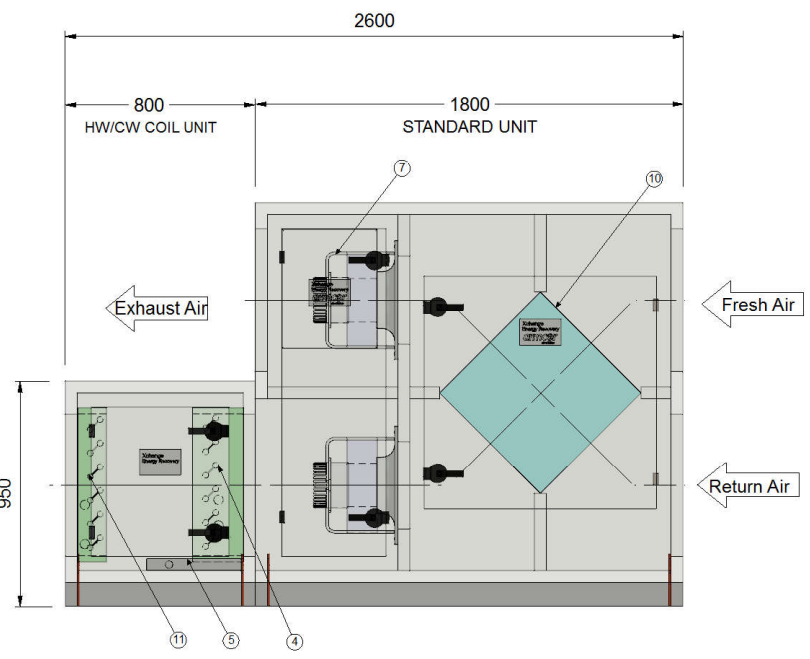
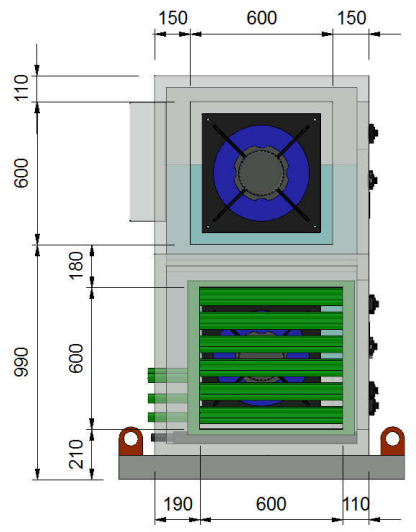
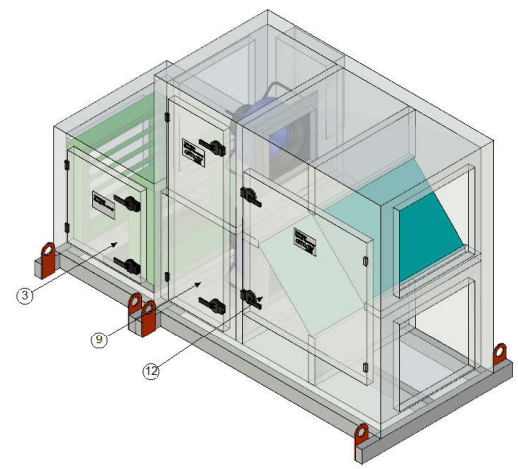
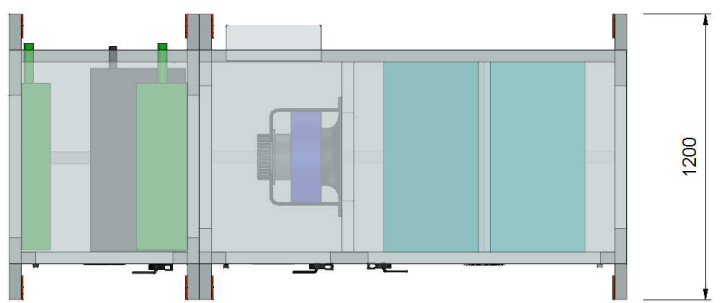
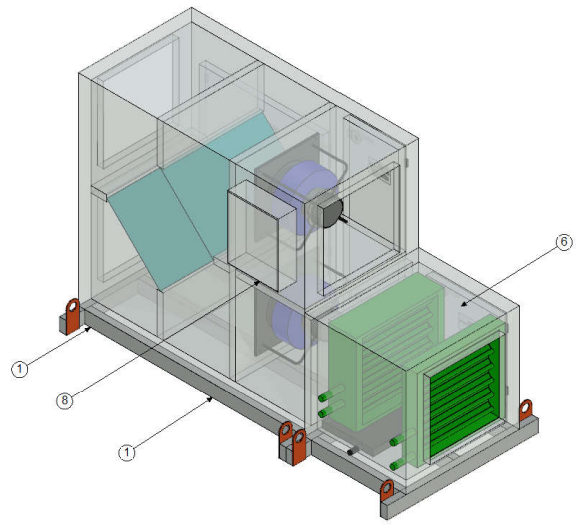


A  
B  
C  
D  
E  
F

A  
B  
C  
D  
E  
F



Item	Description	Qty
1	Base Frame	1
2	Cabinet	1
3	Coil Access Panel (Hinged-out)	1
4	CW Coil 600FL x 600FH (Optional)	1
5	CW Coil Drip Tray S/Steel	1
6	CW/HW Coil Unit	1
7	EC Fan K3G 355-AY 40-02	2
8	Electrical Panel 400x500	1
9	Fan Access Panel (Hinged-out)	1
10	Heat Exchange Media 600x600x400D	2
11	HW Coil 600FL x 600FH (Optional)	1
12	Media Access Panel (Hinged-out)	1

	Scale	General Tolerances acc to:		<b>STANDARD DRAWING</b>	
	A3	ISO 2768-1 medium			
	Armcor Air Solutions 109-111 Northcorp Blvd Broadmeadows VIC 3047 Phone 03 8301 9200 Web: www.armcor.com.au Email: sales@armcor.com.au		Drawn. P.Z	Status.	Date. 9/11/2016 3:40 PM
	Title. <b>EXCHANGE ERV UNIT-COILS</b>			Rev. A	
			Model. <b>XEC900P3</b>	SN.	