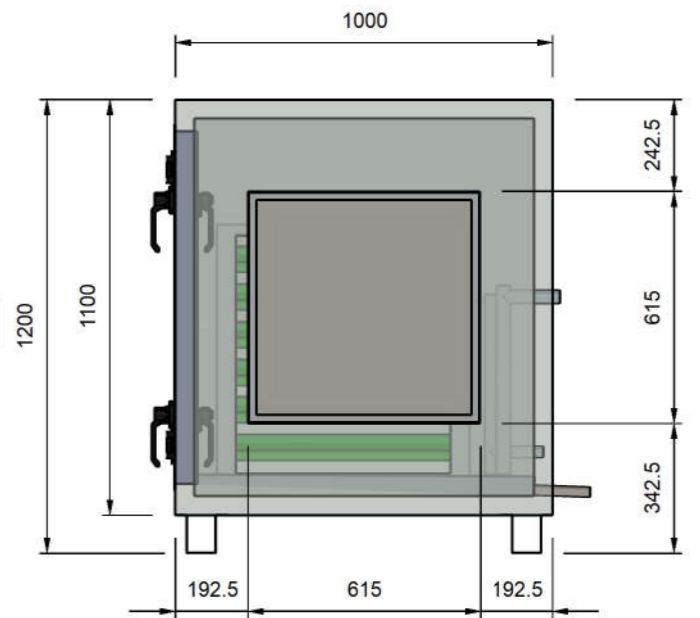
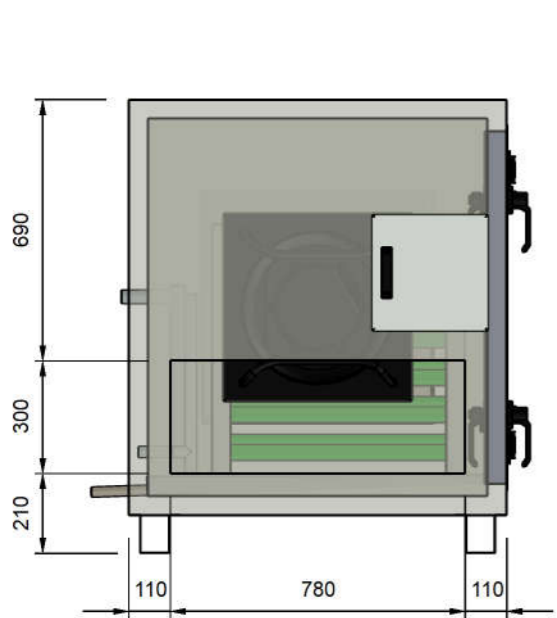
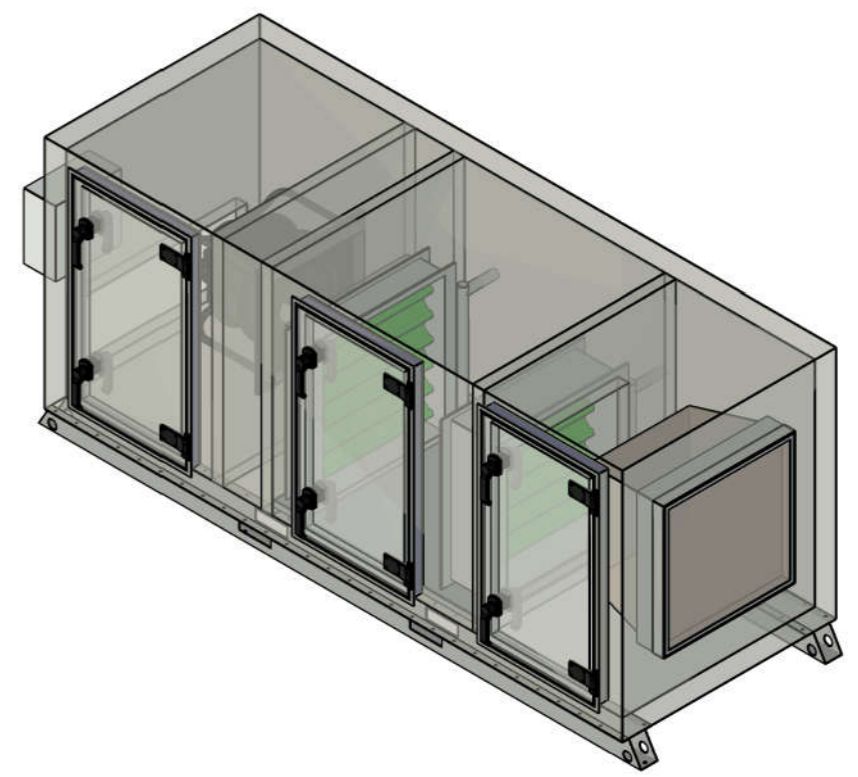
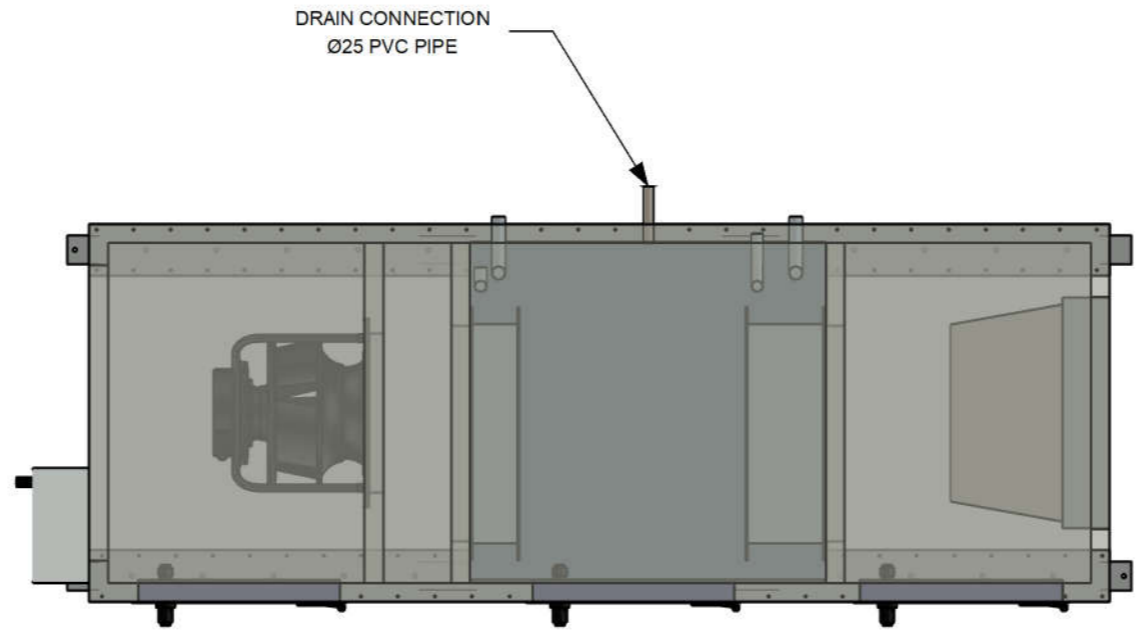


© Copyright: No part of this drawing or design shall be reproduced without authority or consent from Company. All references herein are deemed confidential



**Notes:**  
 - All Panels are 50mm Colorbond Panel Casing  
 - Minimum 1200mm Clearance Required from Access Panel

If this drawing meets your requirement in both design and performance please sign and email to Armcor Air Solutions

Approved \_\_\_\_\_

Date \_\_\_\_\_

E	A3	General Tolerances acc to : ISO 2768-1 medium	STANDARD DRAWING		
	Scale		Drawn NT	Checked	Dat. 11/04/2023 8:54 AM
			Title <b>AHU900P3</b>		Sheet 1 of 2
					Rev. A
			S/N.		