

XCHANGE Energy Recovery

XCC-COMPACT MULTIFLOW ERV WITH COILS

XCC925P3 Technical Data



Technical Specifications

Nominal Airflow

Supply Air (l/sec)	925
Return Air (l/sec)	925

Supply Fan

Fan Type	EC Plug Fan
Fan Motor	EC External Rotor
Motor Power (Watts)	1900
External Static (Pa)	250
Fan Diameter	355
Motor Start	Soft Start
Control Input	0-10V DC
Motor Protection	Thermal Overload

Exhaust Fan

Fan Type	EC Plug Fan
Fan Motor	EC External Rotor
Motor Power (Watts)	1900
External Static (Pa)	250
Fan Diameter	350
Motor Start	Soft Start
Control Input	0-10V DC
Motor Protection	Thermal Overload

Electrical

Supply Fan (A)	2.6 - 2.6 - 2.6
Exhaust Fan (A)	2.6 - 2.6 - 2.6
Nominal Run Current (A)	5.2 - 5.2 - 5.2
Maximum Full Load (A)	6.5 - 6.5 - 6.5
Volt/Phase	415V/1ph

Controls

0-10V DC (Fan Control)	Included
24V AC Control	Included
Fan Fault	Included

Heat Exchanger

*Rated at standard conditions of 35.5° db/24.0° wb

Enthalpy Media	Standard (Model XCC925P3E)
Sensible Media	Available (Model XCC925P3S)
Corrosion Resistant Media	Available
Velocity (m/sec)	1.92
Pressure Drop (Pa)	160.2
Kw Recovered (Cooling)*	13.41
Kw Recovered (Heating)*	17.32

Cabinet Construction

Casing	Galvanised Metal
Insulation Thickness (mm)	15/25
Hanging Brackets	Included

Filters

Type	45mm V Form Panel - G4
Disposable / Washable	Disposable
Size L x W x D (mm)	595 x 395 x 45
Number of Filters	2

Options

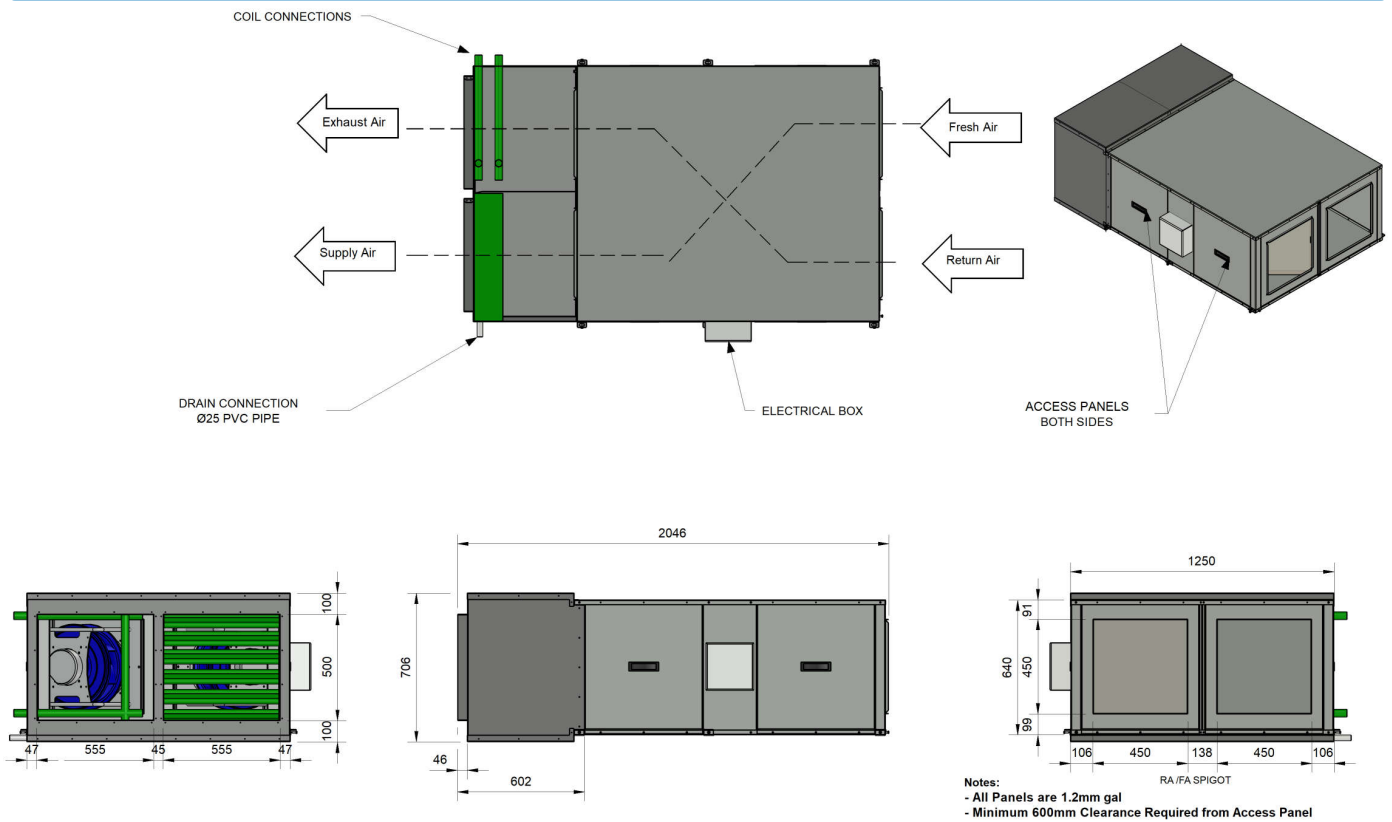
Hot Water Coil	Available (Model XCC925P3-H)
Chilled Water Coil	Available (Model XCC925P3-C)
Hot & Chilled Water	Available (Model XCC925P3-CH)
DX Coil	Available (Model XCC925P3-D)
Remote Condenser	Available (Model XCC925-RC)
Internal Drain Tray	Available (Model XCC925P3-T)

XCHANGE Energy Recovery

XCC-COMPACT MULTIFLOW ERV WITH COILS

XCC925P3 Technical Data

Technical Drawings – XCC925P3



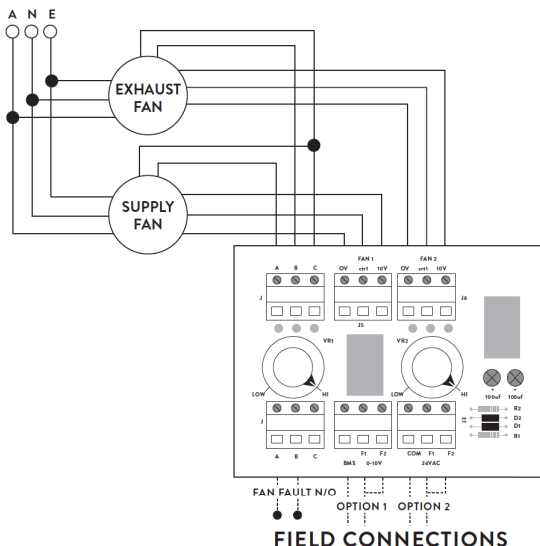
Dimensions

Height (mm)	706
Width (mm)	1252
Length (mm)	2046
Weight (Kg) excl. coils	220
Access Clearance (mm)	600 (Controls & Filter Access)
Access Clearance (mm)	600 (Filter Access)

Duct Sizes

Exhaust Air (mm)	555 x 500
Return Air (mm)	450 x 450
Supply Air (mm)	555 x 500
Fresh Air (mm)	450 x 450

Wiring Diagram



OPTION 1

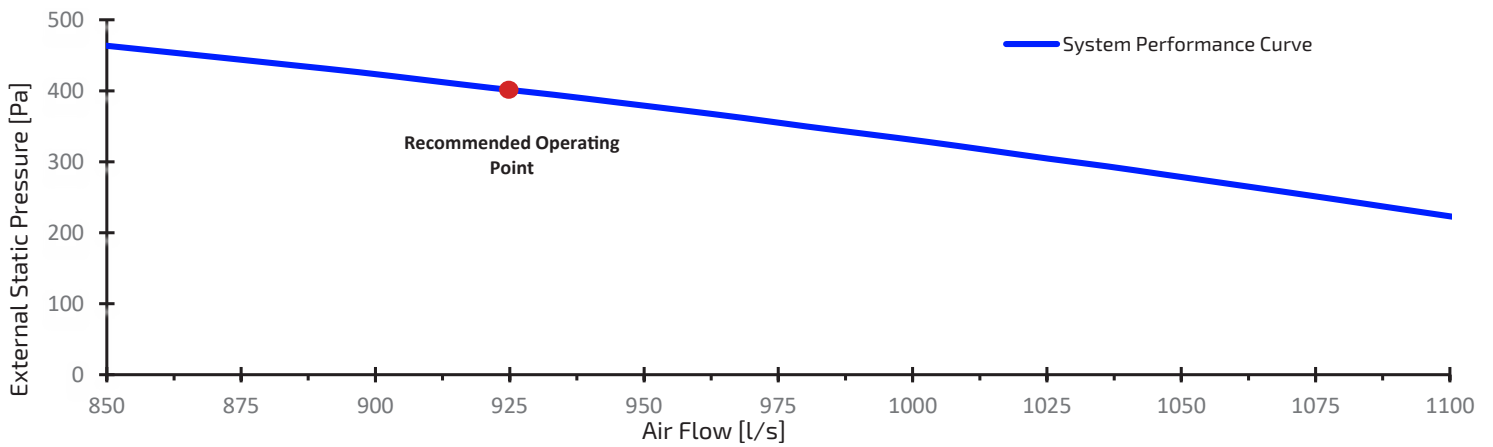
0-10V DC CONTROL VIA CONNECTION TO BMS
 0V = STOP / 1.5V = START / 10V = FULL SPEED

OPTION 2

24V AC ENABLE REGULATE FAN SPEED VIA POTS
 EXTERNAL 24V PROVIDED BY OTHERS

Do not turn main power on/off to enable/disable the unit operation. This must be done through the control circuit.

Fan Performance Data

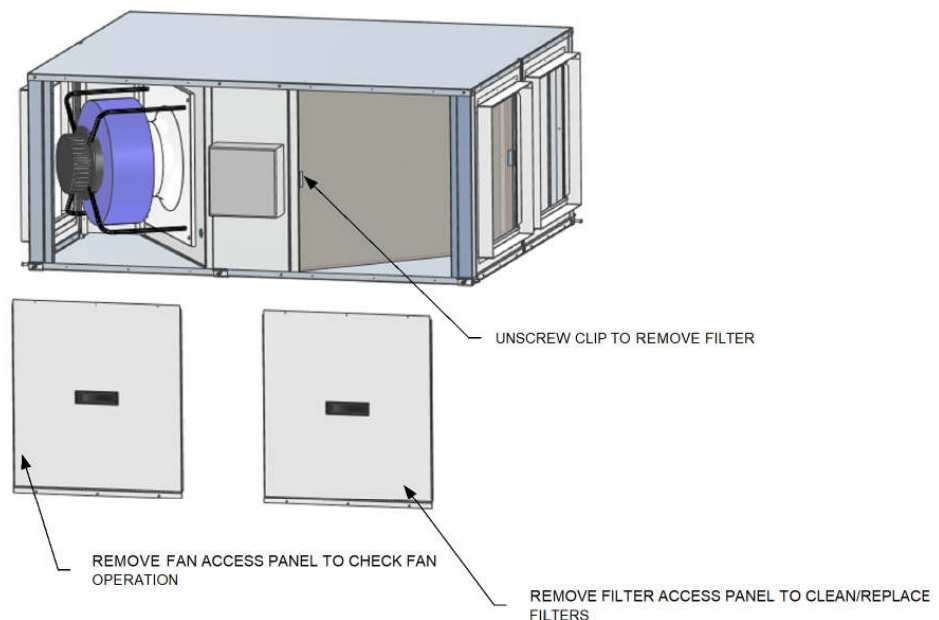


Sound Power Levels*

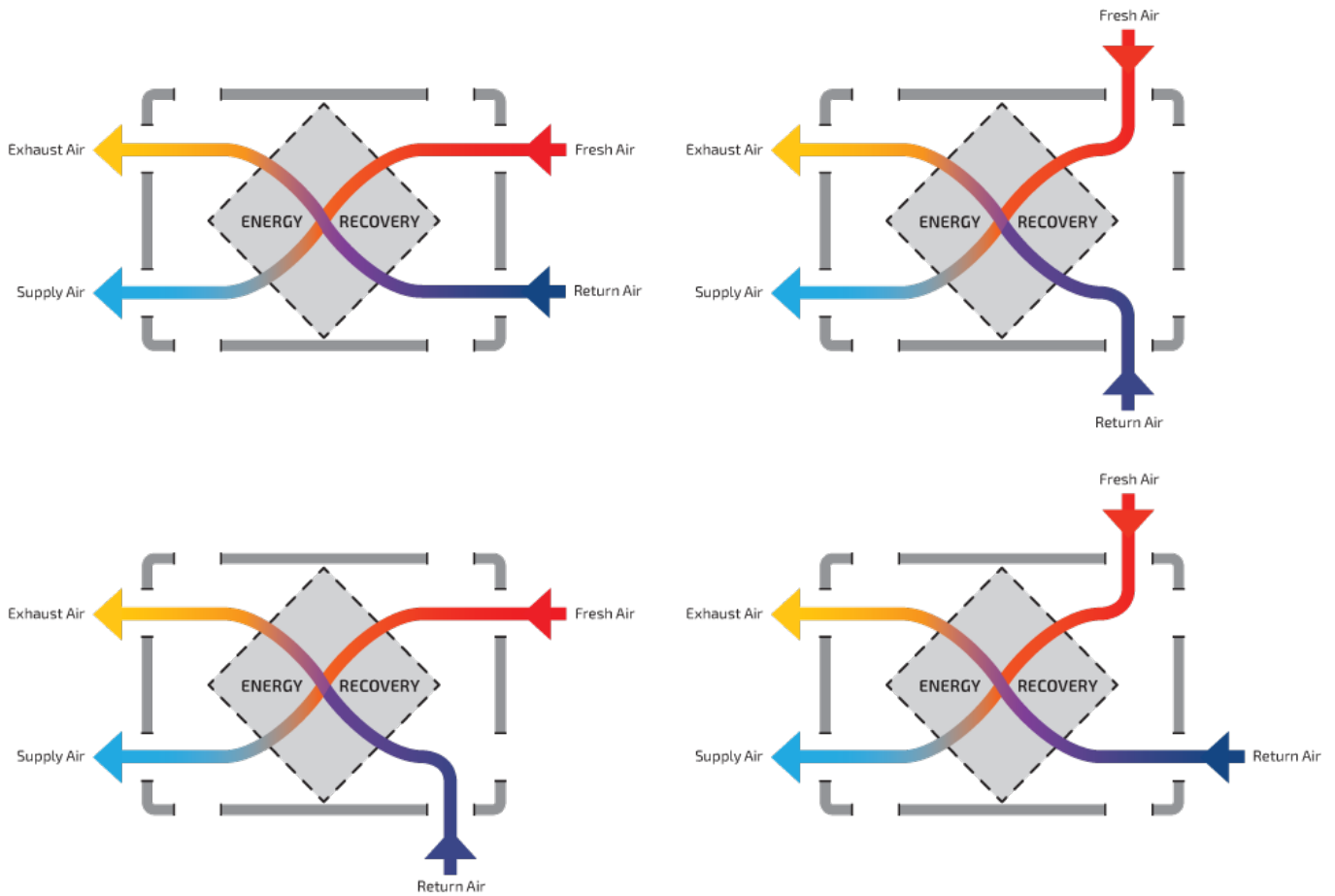
Inlet Rating dB		Outlet Rating dB	
63 Hz	62.3	63 Hz	64.1
125 Hz	62	125 Hz	63.7
250 Hz	71	250 Hz	73.4
500 Hz	70.2	500 Hz	73.1
1k Hz	64.8	1k Hz	74.8
2k Hz	65.6	2k Hz	71.3
4k Hz	63.7	4k Hz	67.9
8k Hz	59.9	8k Hz	63.6
LwA	72.6	LwA	78.5

* Sound Power Levels Recommended Operating Point.

Filter and Fan Access



Ductwork Connections



RETURN AIR: Air that is drawn from conditioned areas.

EXHAUST AIR: Ducted to outside the building or into the roof space if adequate ventilation to the outside air is available.

FRESH AIR: Use a fresh air cowl or grill to introduce fresh air.

SUPPLY AIR: Connect to the airconditioning system or directly into the conditioned area.

