

© Copyright: No part of this drawing or design shall be reproduced without authority or consent from Company. All references herein are deemed confidential

COIL CONNECTIONS

Exhaust Air

Supply Air

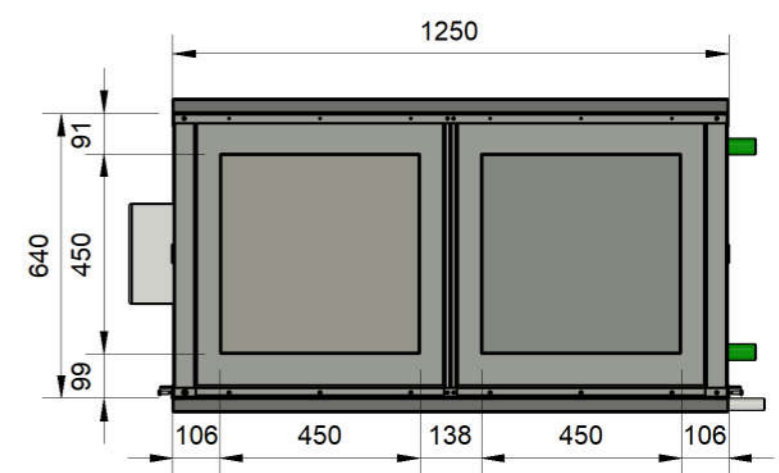
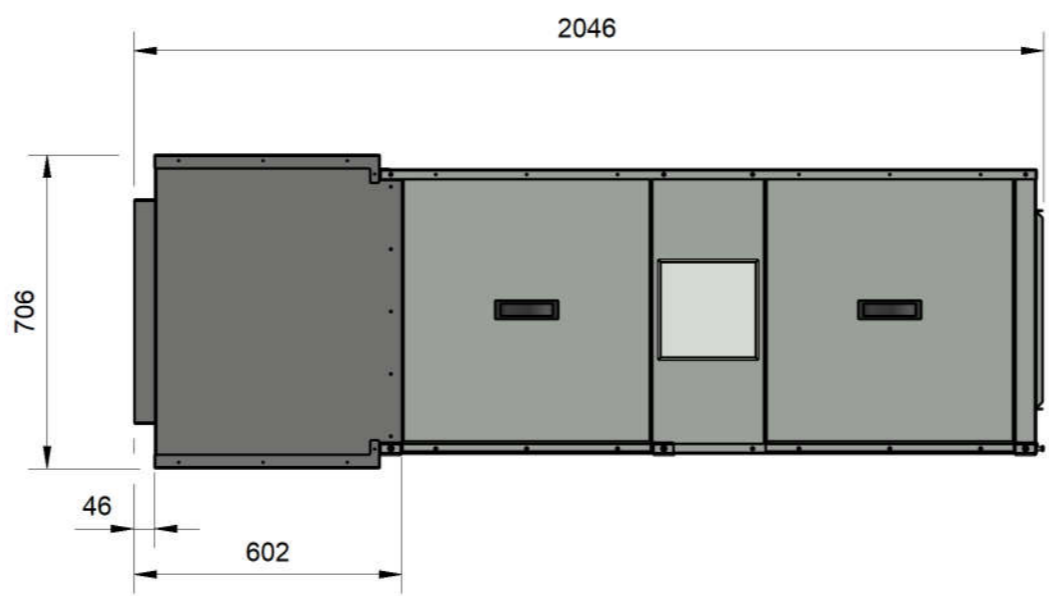
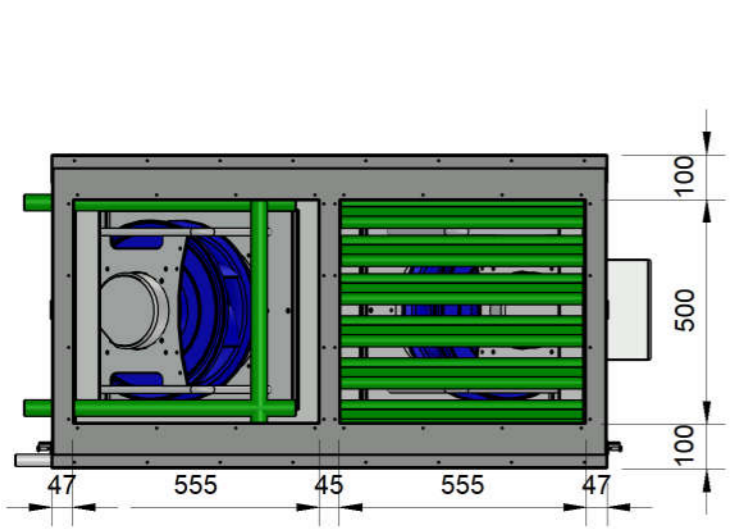
Fresh Air

Return Air

DRAIN CONNECTION
Ø25 PVC PIPE

ELECTRICAL BOX

ACCESS PANELS
BOTH SIDES



Notes:
 - All Panels are 1.2mm gal
 - Minimum 600mm Clearance Required from Access Panel

If this drawing meets your requirement in both design and performance please sign and email to Armcor Air Solutions

Approved _____

Date _____

E	A3	General Tolerances acc to : ISO 2768-1 medium	Standard Unit		
	Scale		Drawn TR	Checked Released	Dat. 29/05/2024 1:59 PM
			Title XCC925P3		Sheet 1 of 1
					Rev. A

1 2 3 4 5 6 7 8

A

B

C

D

E

F

A

B

C

D

E

F

1 2 3 4 5 6 7 8