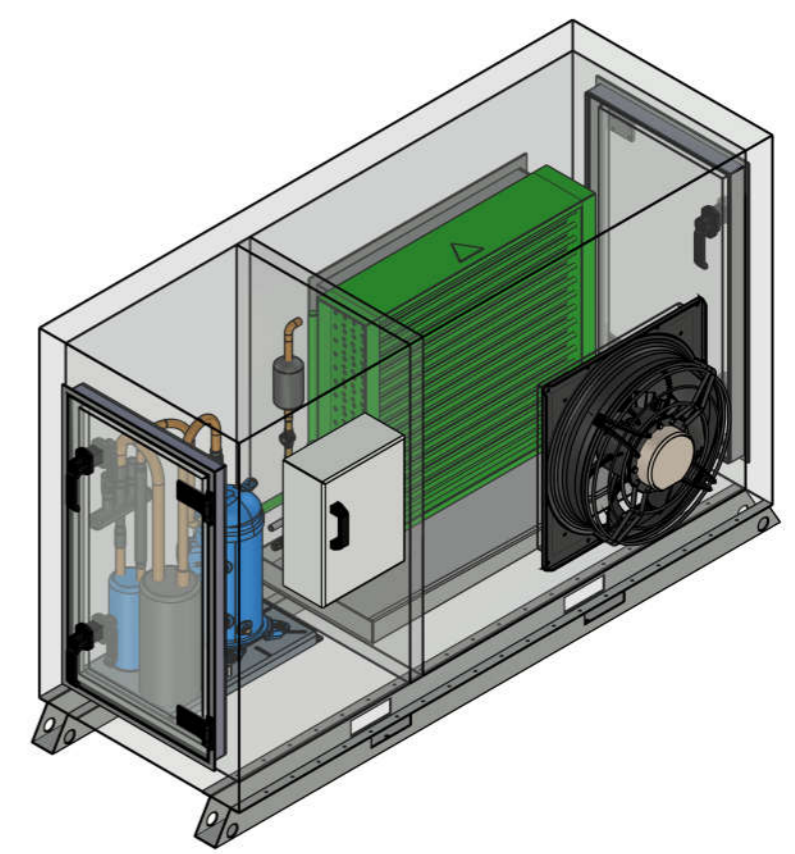
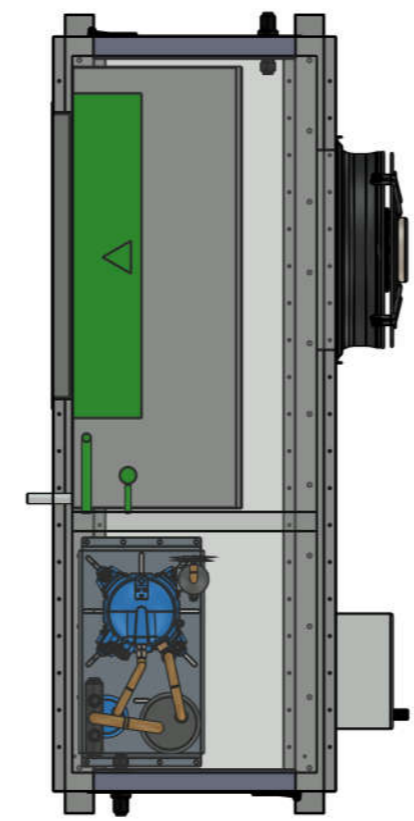
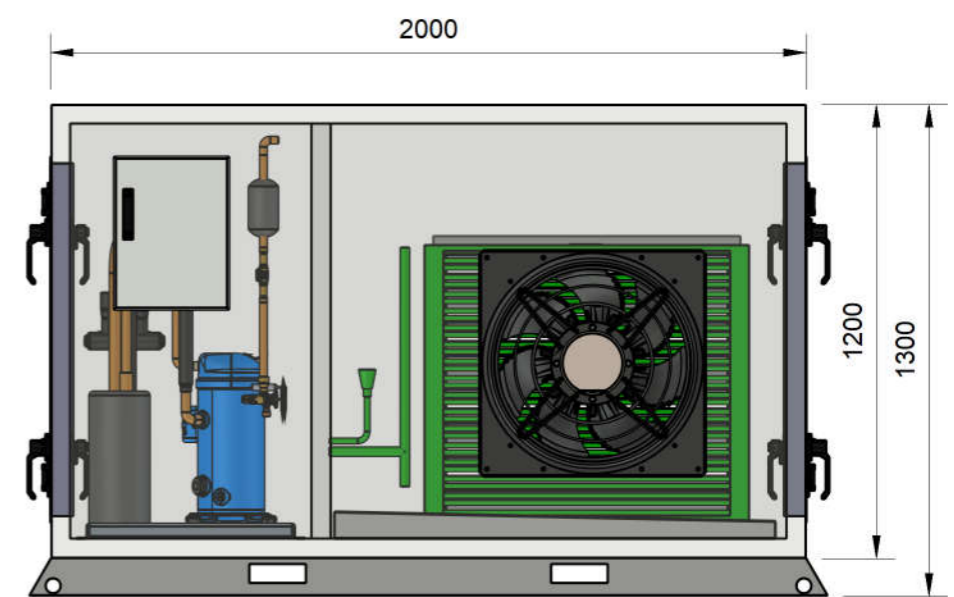
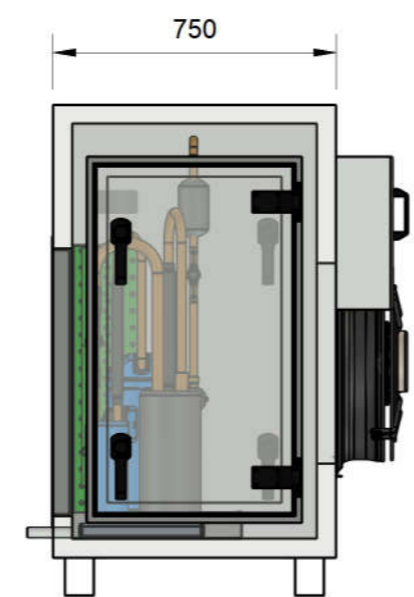
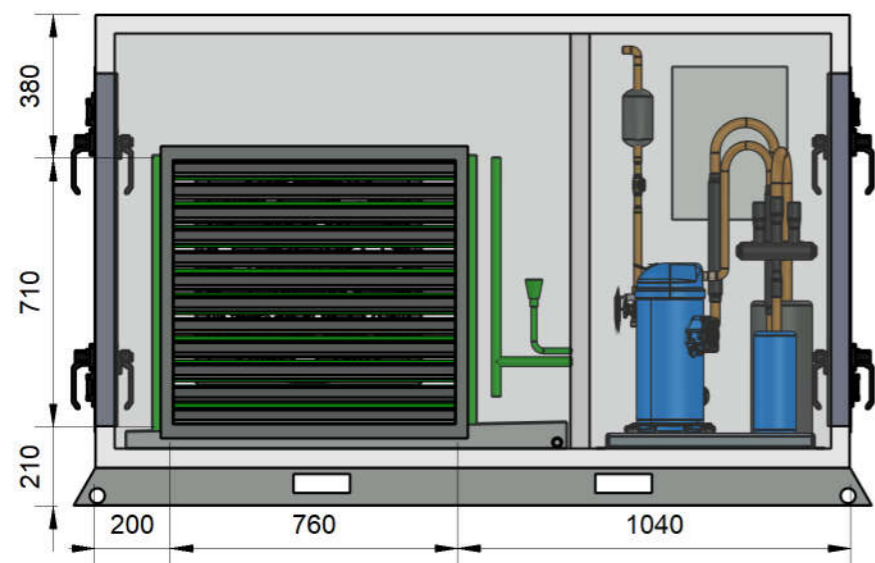


© Copyright: No part of this drawing or design shall be reproduced without authority or consent from Company. All references herein are deemed confidential



Notes:
 - All Panels are 50mm Colorbond Panel Casing
 - Minimum 1200mm Clearance Required from Access Panel

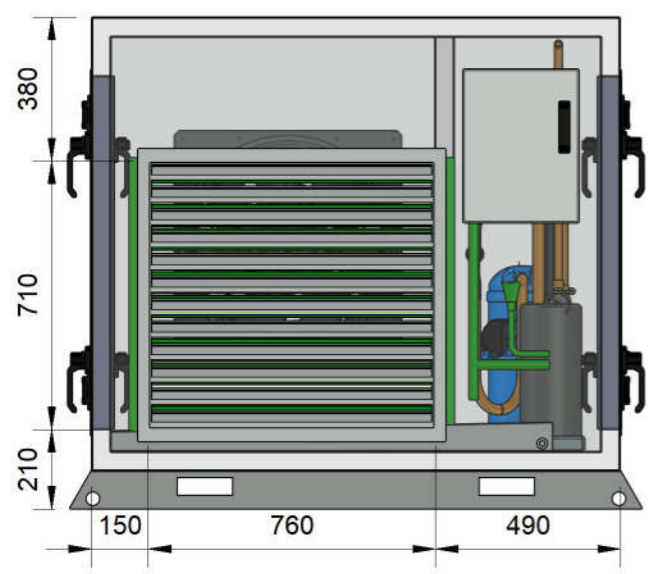
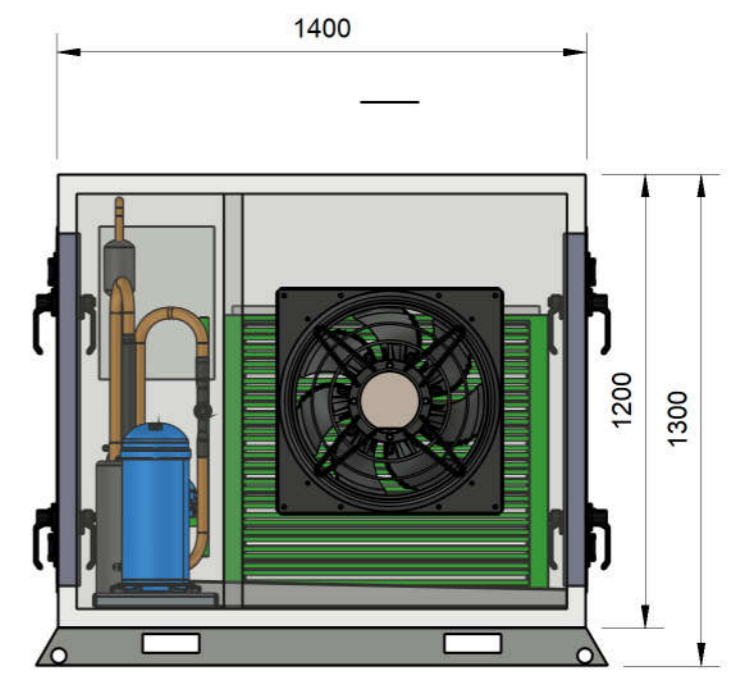
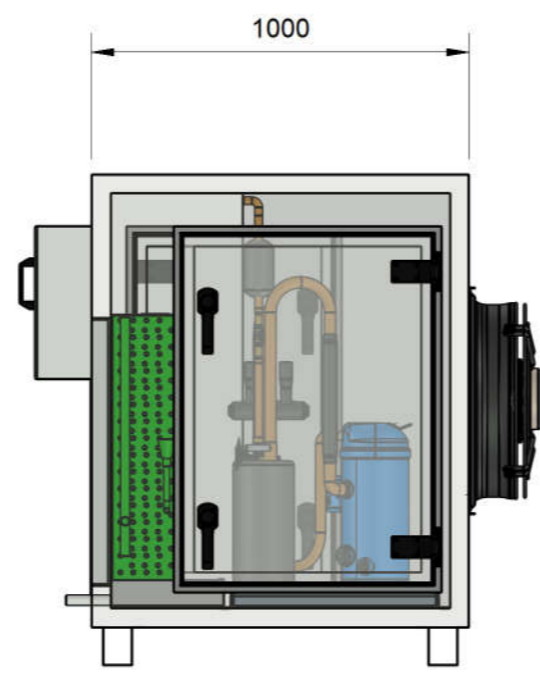
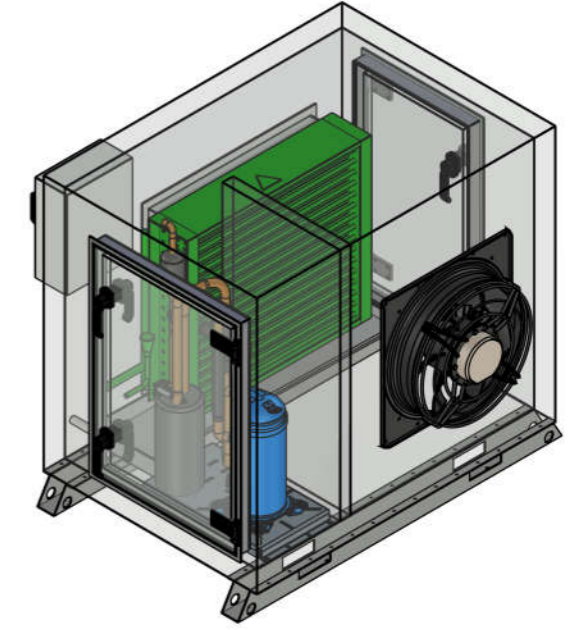
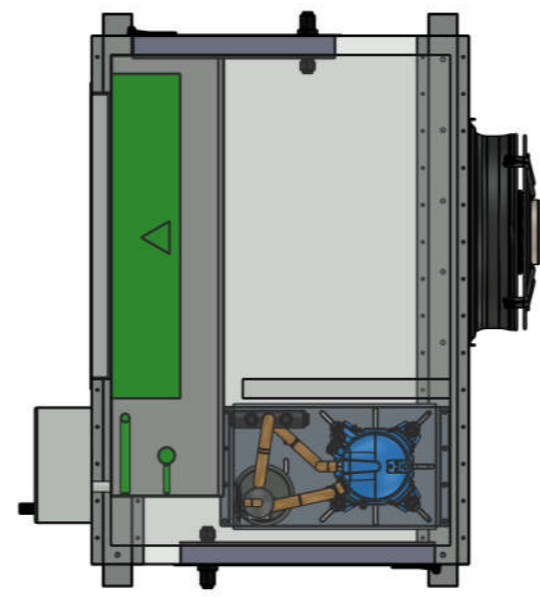
If this drawing meets your requirement in both design and performance please sign and email to Armcor Air Solutions

Approved _____

Date _____

E	A3	General Tolerances acc to : ISO 2768-1 medium	Standard Drawing - Option 1		
	Scale		Drawn TR	Checked Released	Dat. 29/05/2024 2:35 PM
		Title XCC925-RC	Sheet 1 of 11	Rev. A	S/N.

© Copyright: No part of this drawing or design shall be reproduced without authority or consent from Company. All references herein are deemed confidential



Notes:
 - All Panels are 50mm Colorbond Panel Casing
 - Minimum 1200mm Clearance Required from Access Panel

If this drawing meets your requirement in both design and performance please sign and email to Armcor Air Solutions

Approved _____

Date _____

E	A3	General Tolerances acc to : ISO 2768-1 medium	Standard Drawing - Option 2		
	Scale		Drawn TR	Checked Released	Dat. 29/05/2024 2:38 PM
		Title XCC925-RC	Sheet 1 of 11	Rev. A	S/N.