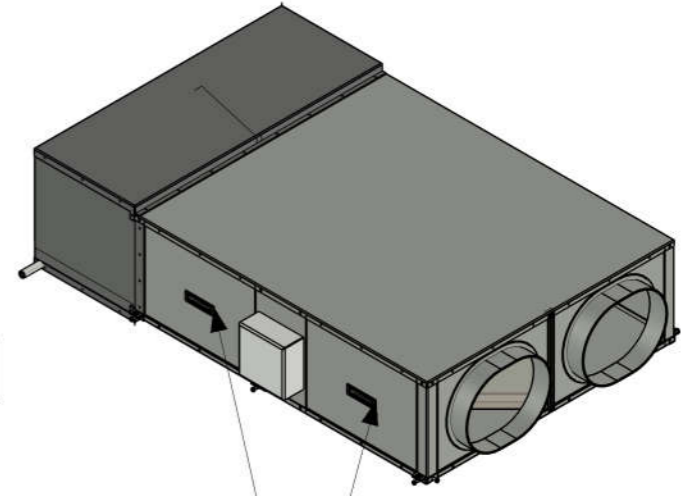
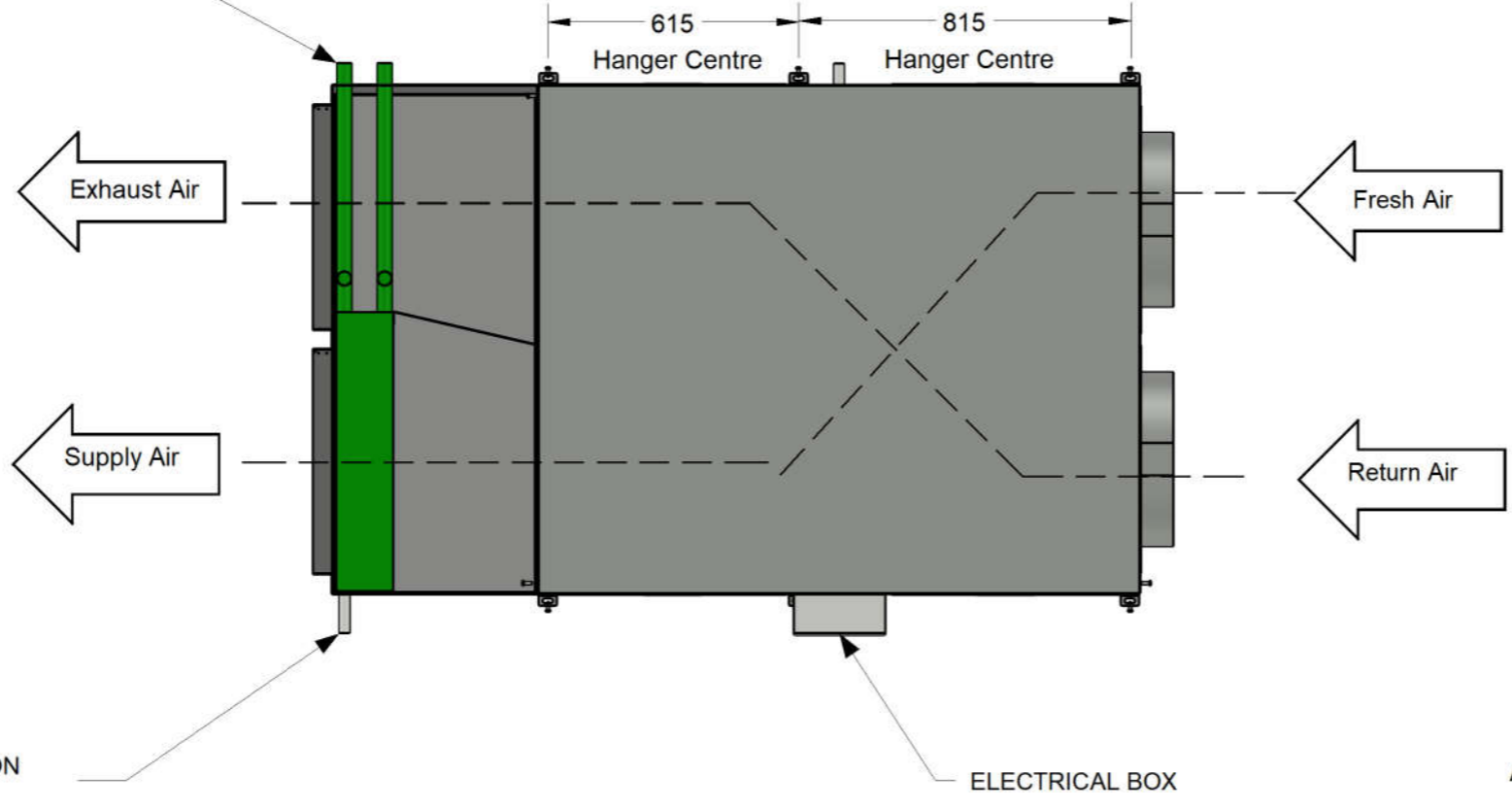
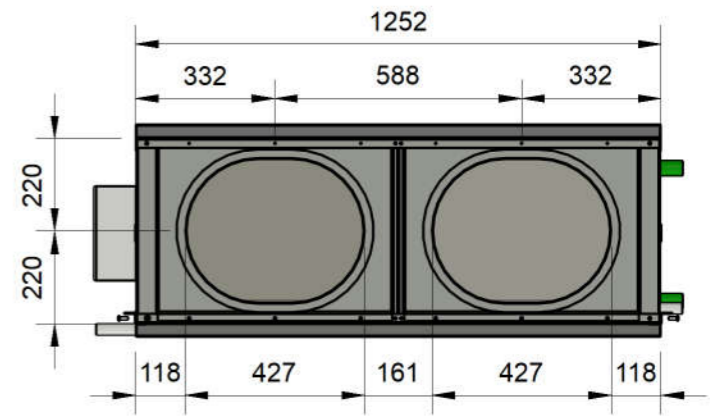
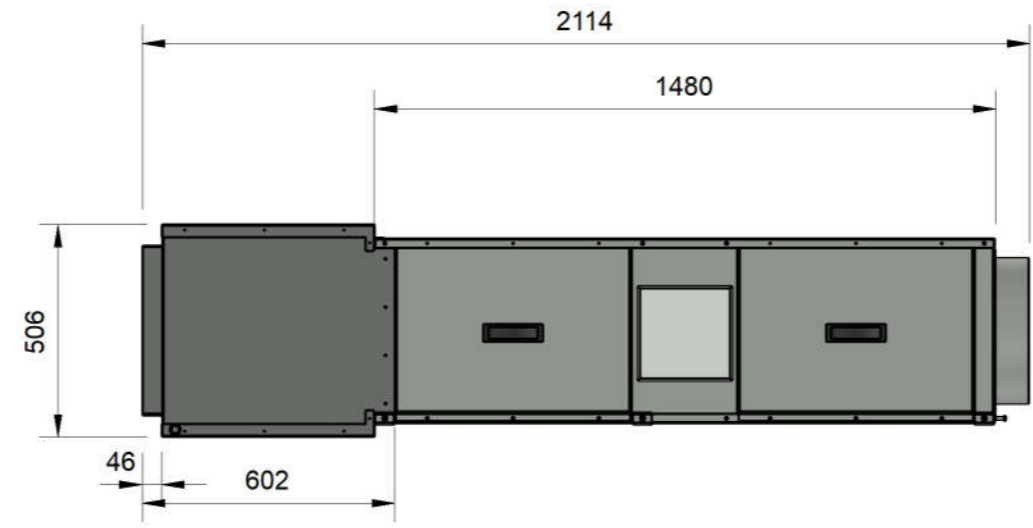
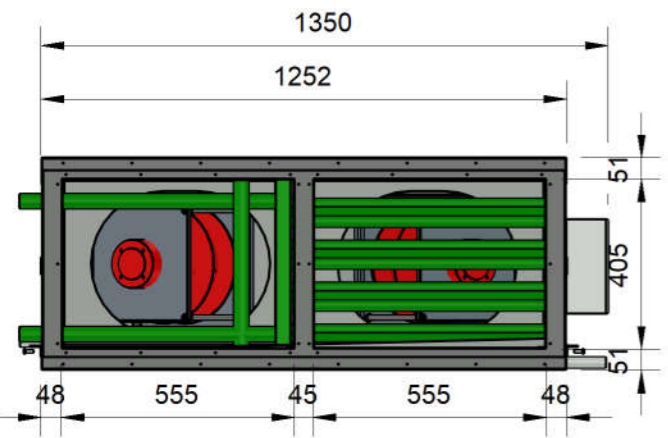


© Copyright: No part of this drawing or design shall be reproduced without authority or consent from Company. All references herein are deemed confidential

COIL CONNECTIONS



DRAIN CONNECTION
Ø25 PVC PIPE



- Notes:**
- All Panels are 1.2mm gal
 - Minimum 600mm Clearance Required from Access Panel

If this drawing meets your requirement in both design and performance please sign and email to Armcor Air Solutions

Approved _____

Date _____

E	A3	General Tolerances acc to : ISO 2768-1 medium	Standard Unit		
	Scale		Drawn TR	Checked Released	Dat. 29/05/2024 2:01 PM
			Title XCC625P1		Sheet 1 of 1
					Rev. A
			S/N.		