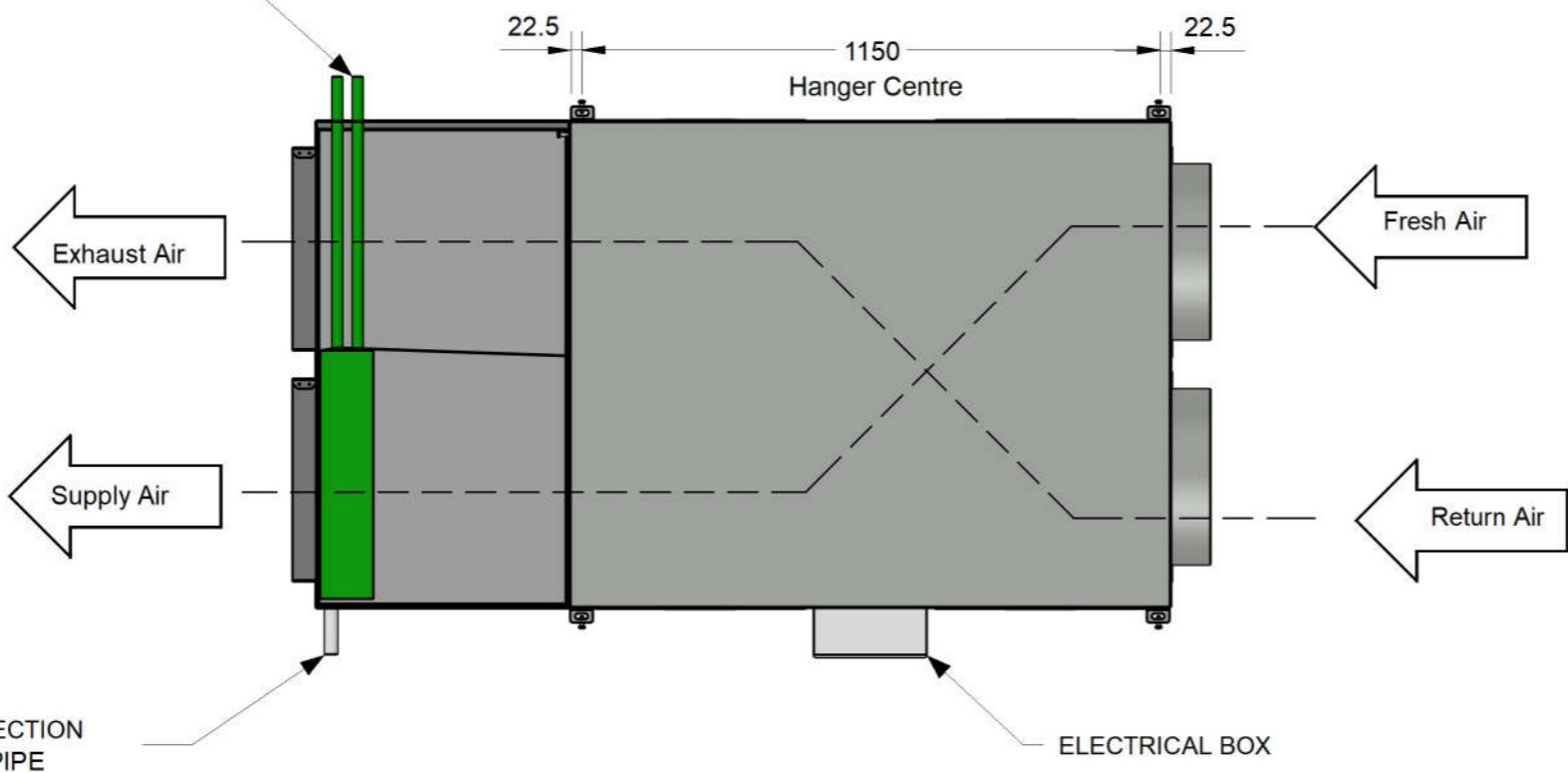
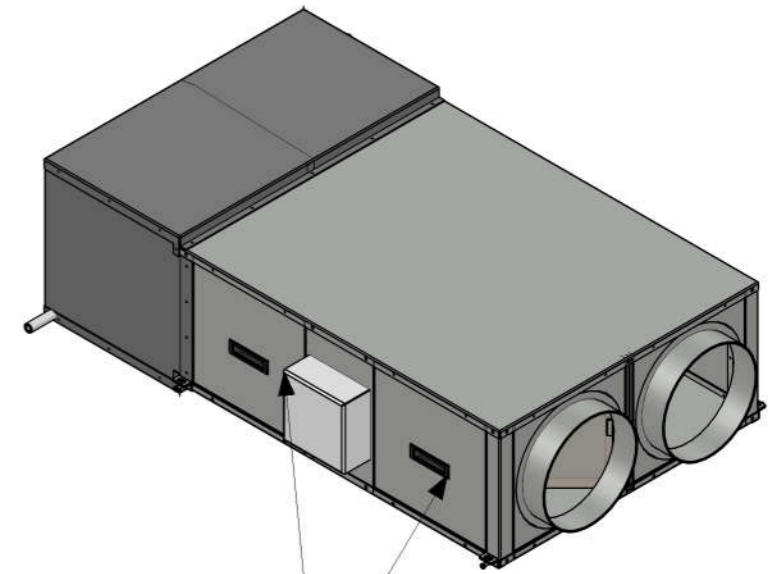


© Copyright: No part of this drawing or design shall be reproduced without authority or consent from Company. All references herein are deemed confidential

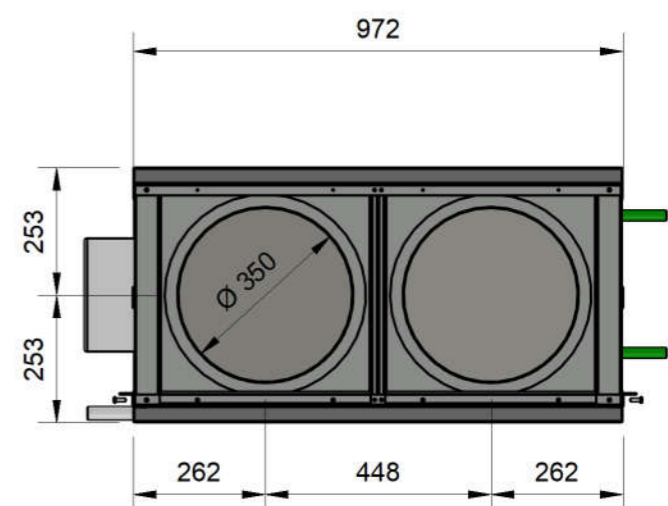
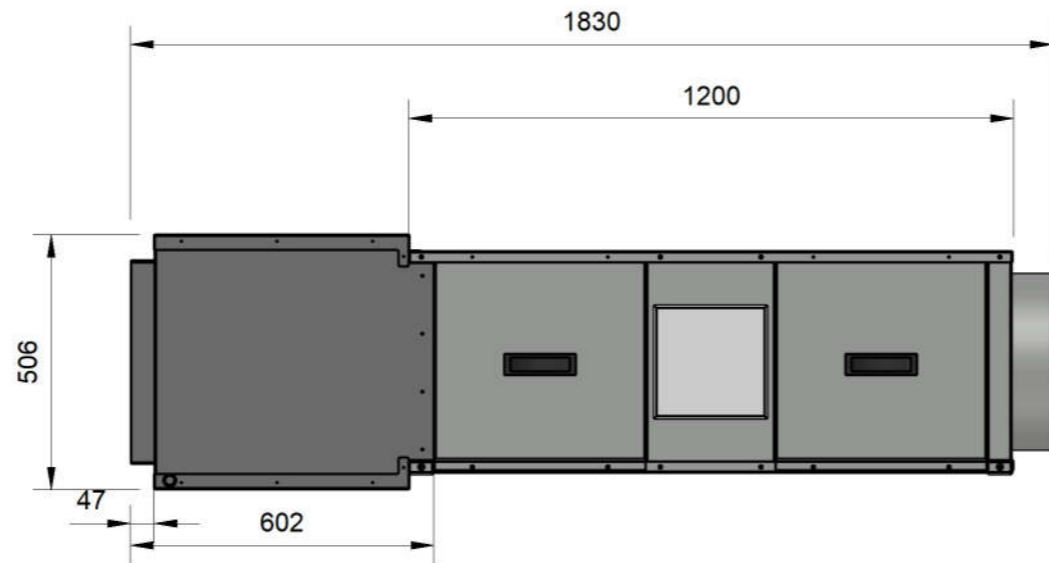
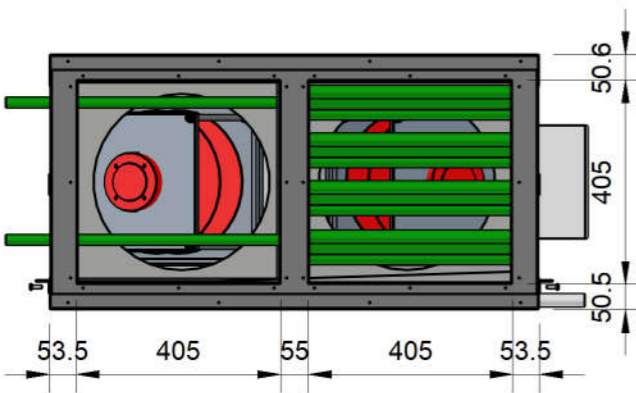
COIL CONNECTIONS



DRAIN CONNECTION
Ø25 PVC PIPE



ACCESS PANELS
BOTH SIDES



- Notes:
 - All Panels are 1.2mm gal
 - Minimum 600mm Clearance Required from Access Panel

If this drawing meets your requirement in both design and performance please sign and email to Armcor Air Solutions

Approved _____

Date _____

E	A3	General Tolerances acc to : ISO 2768-1 medium	Standard Unit		
	Scale		Drawn TR	Checked Released	Dat. 29/05/2024 1:38 PM
			Title XCC425P1		Sheet 1 of 1
					Rev. A