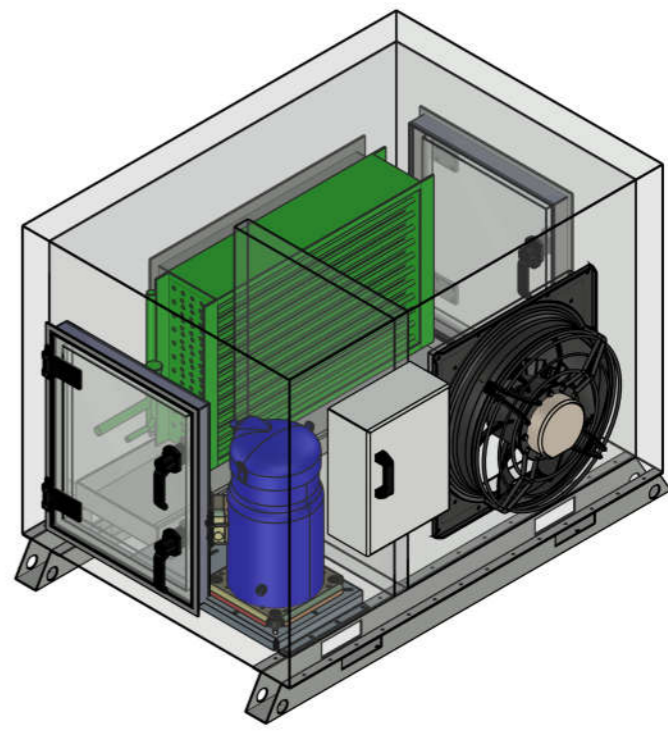
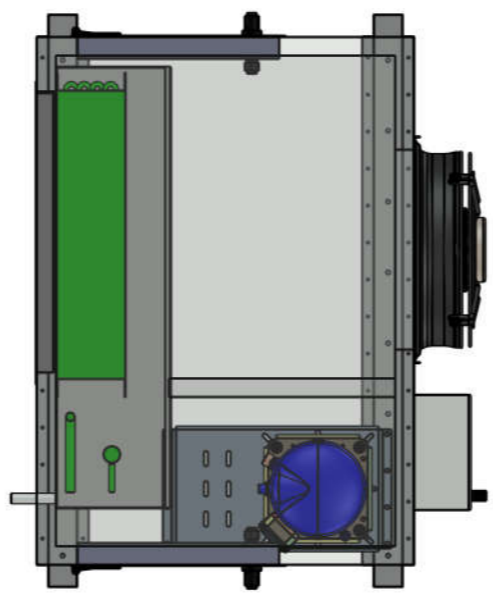
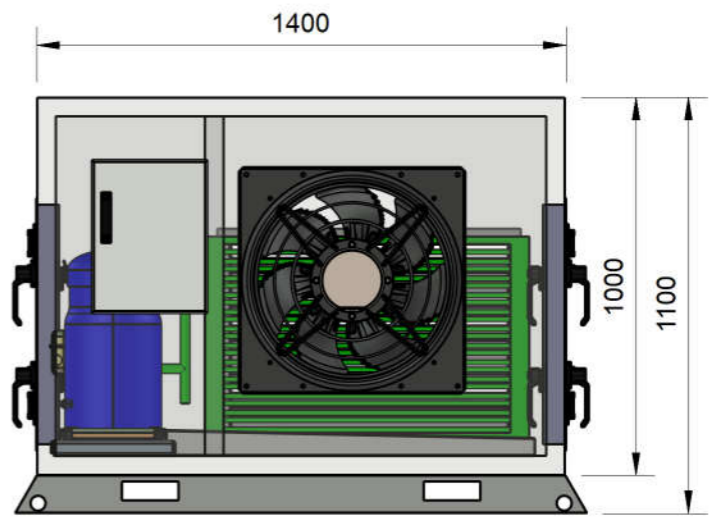
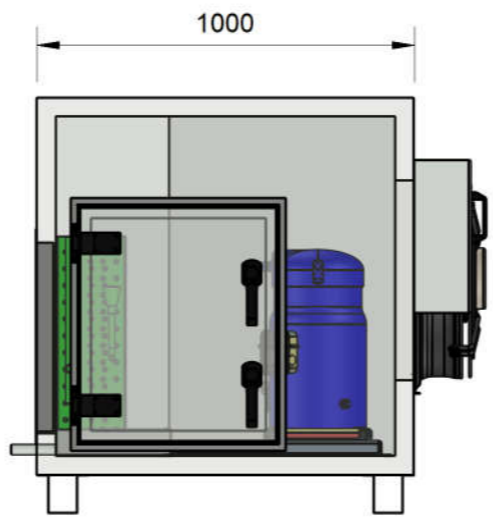
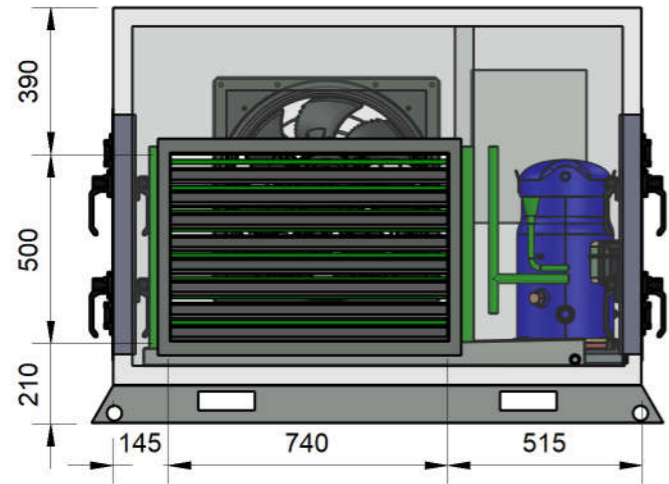


© Copyright: No part of this drawing or design shall be reproduced without authority or consent from Company. All references herein are deemed confidential



Notes:  
 - All Panels are 50mm Colorbond Panel Casing  
 - Minimum 1200mm Clearance Required from Access Panel

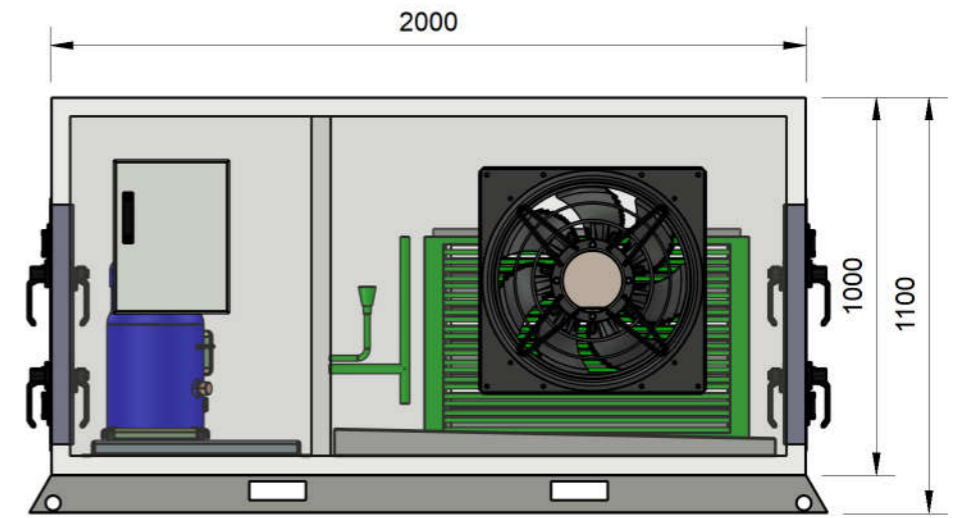
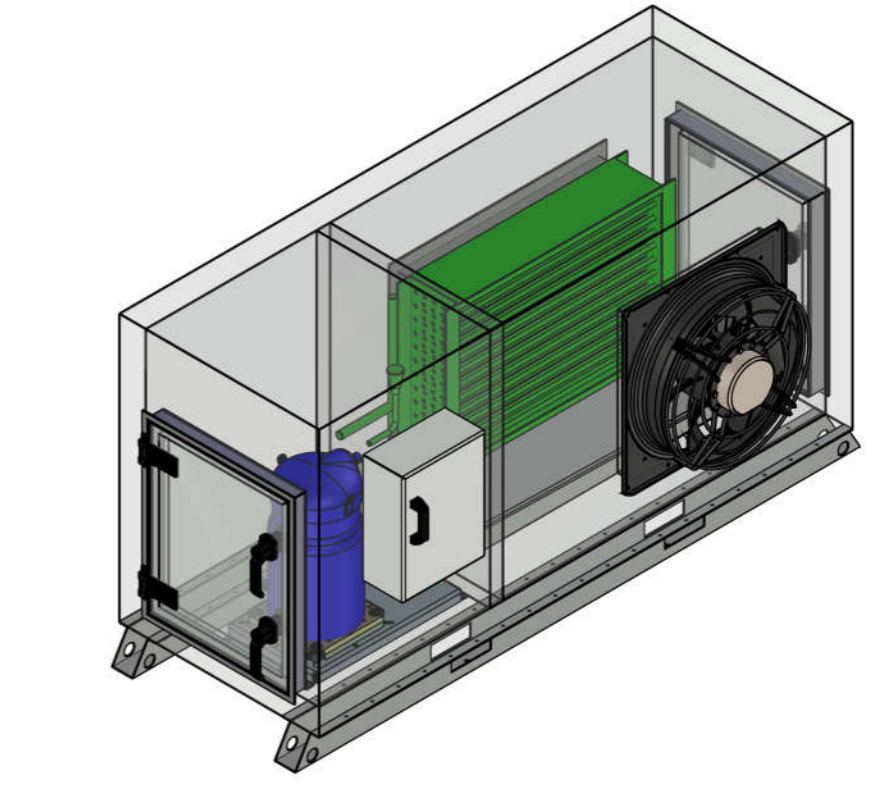
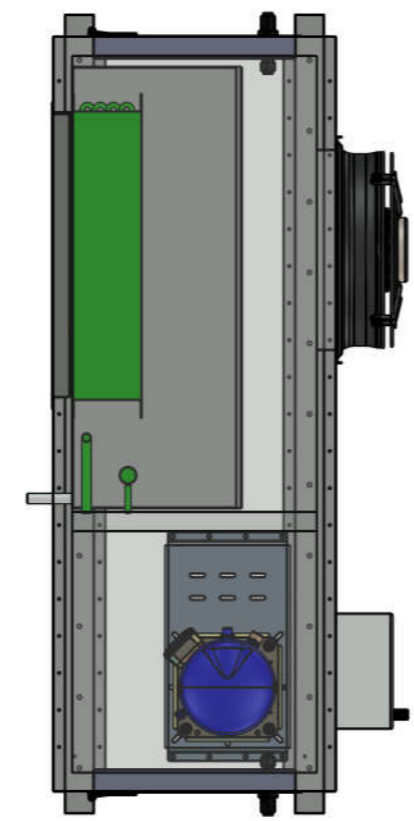
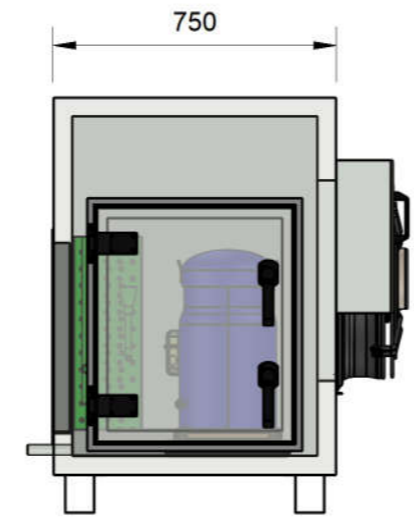
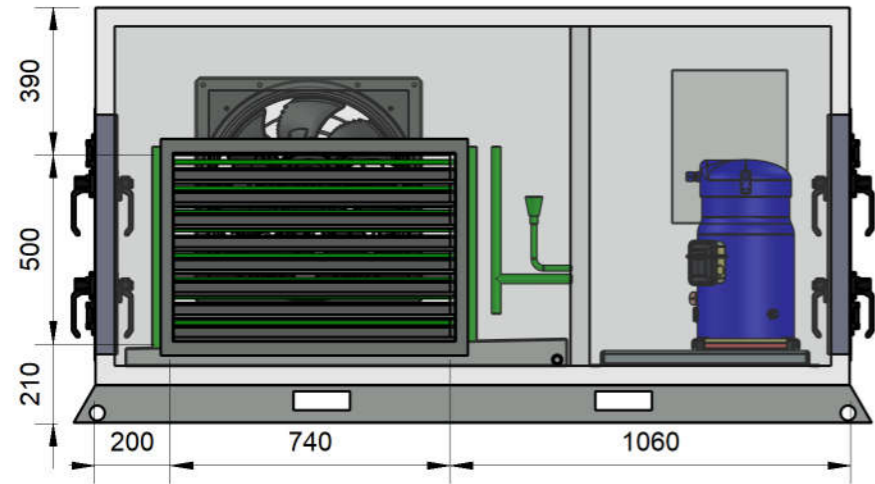
If this drawing meets your requirement in both design and performance please sign and email to Armcor Air Solutions

Approved \_\_\_\_\_

Date \_\_\_\_\_

E	A3	General Tolerances acc to : ISO 2768-1 medium	Standard Drawing - Option 2		
	Scale		Drawn TR	Checked Released	Dat. 29/05/2024 2:39 PM
		Title XCC425/625 - RC	Sheet 1 of 1	Rev. A	S/N.

© Copyright: No part of this drawing or design shall be reproduced without authority or consent from Company. All references herein are deemed confidential



**Notes:**  
 - All Panels are 50mm Colorbond Panel Casing  
 - Minimum 1200mm Clearance Required from Access Panel

If this drawing meets your requirement in both design and performance please sign and email to Armcor Air Solutions

Approved \_\_\_\_\_

Date \_\_\_\_\_

E	A3	General Tolerances acc to : ISO 2768-1 medium	Standard Drawing - Option 1		
	Scale		Drawn TR	Checked Released	Dat. 29/05/2024 2:40 PM
		Title <b>XCC425/625 - RC</b>	Sheet 1 of 11	Rev. A	S/N.